

ENCLOSURE SPECIFICATION
 BRAND : GUARDFIRE
 DIMENSION : 630x900x250mm (WxHxD)
 ENCLOSURE : ELECTRO GALVANIZED STEEL SHEET THICKNESS 2mm.
 WEIGHT : APPROX. 35kg.
 DOOR : SINGLE DOOR PANEL

CABINET COATING :

CABINET : POWDER COATED

PROTECTION CLASS SURFACE COLOR

IP 55 RAL 3020

APPROVED AMBIENT TEMPERATURE

0°C TO +49°C

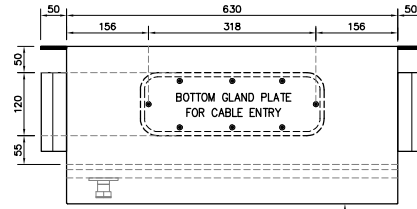
APPROVED RELATIVE HUMIDITY

<93%

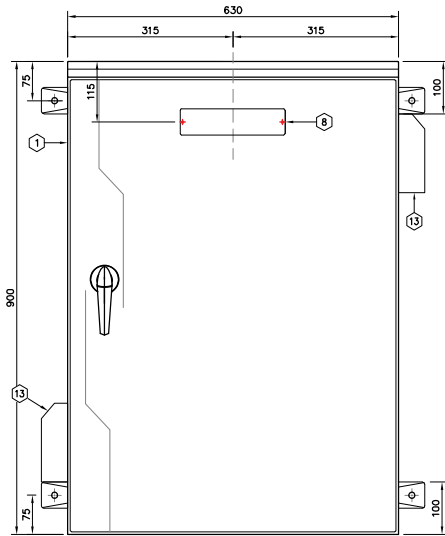
CABLE ENTRY INTERNAL WIRING

- BOTTOM SIDE - 2.5 Sq.mm. 450/750V PVC INSULATED WIRE (EC 02)

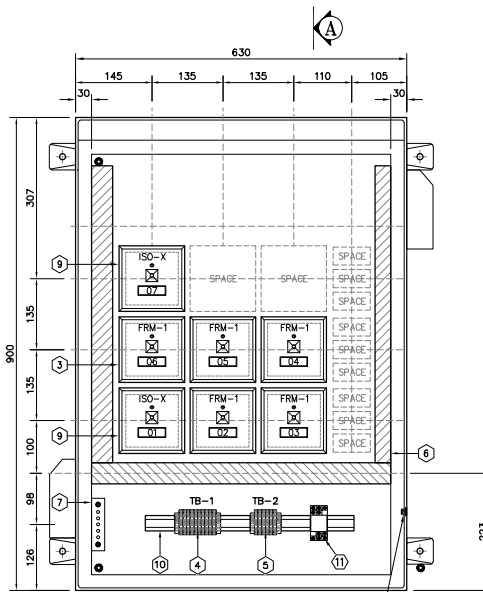
- INSULATION COLOR : RED(+), BLUE(-)



BOTTOM VIEW
(SCALE 1/5)

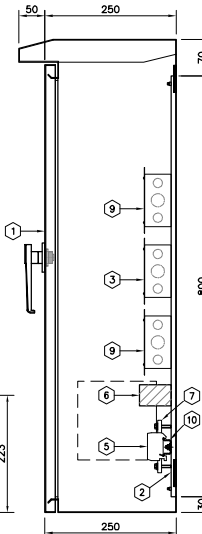


FRONT VIEW
(SCALE 1/5)



2 SETS OF FIXING EARTH STUD AND EARTH STRAPS KIT (1 ON CABINET AND 1 ON DOOR) FOR GROUNDED BONDING JUMPER CONNECTION

INSIDE VIEW
(WITHOUT COVER)
(SCALE 1/5)



SECTION A-A
(SCALE 1/5)

BILL OF MATERIALS		
ITEM	DESCRIPTIONS	Q'TY
①	COMPACT ENCLOSURE 630x900x250mm(WxHxD) BRAND : TAMCO	1
②	MOUNTING PLATE	1
③	NOTIFIER, ADDRESSABLE CONTROL RELAY MODULE(FRM-1) WITH "SMB500" SURFACE MOUNT BOX	5
④	PHOENIX, TERMINATION BLOCK WITH RAIL MOUNTED (TB-1) P/N : UT 4 FOR MAXIMUM CABLE SIZE 4 Sq.mm	10
⑤	PHOENIX, TERMINATION BLOCK WITH RAIL MOUNTED (TB-2) P/N : UT 4 FOR MAXIMUM CABLE SIZE 4 Sq.mm	6
⑥	WIRE DUCT 40x60mm (WxH)	-
⑦	EQUIVALENT POTENTIAL GROUND BAR (COPPER) SIZE 100x25x6mm (LxHxW)	1
⑧	STAINLESS STEEL PANEL NAME PLATE (SEE DETAIL "B")	1
⑨	NOTIFIER, FAULT ISOLATOR MODULE(SO-X) WITH "SMB500" SURFACE MOUNT BOX	2
⑩	DIN RAIL, STEEL GALVANIZED 7.5x35mm(WxH), LENGTH:2m PHOENIX P/N : NS 35/7,5 PERF 2m	1
⑪	OMRON RELAY 24VDC, 5A (MODEL : MY2N(S)) WITH SOCKET	1

REV	DESCRIPTION	DATE	REVISION	CHECKED	APPROVED	DATE

REFERENCE DRAWING :
 1. FIRE ALARM SYSTEM SCHEMATIC DRAWING OF LFAP-3, DRWGNO:PEM-2-1201 RELE

REV	DATE	DESCRIPTION	BY	CHKD	APPR

PT. Bhumi Jati Power
 PROJECT TITLE
 TANJUNG JATI B EXPANSION (JAWA-4)
 COAL FIRED STEAM POWER PLANT
 2 x 1,000 MW

OWNER'S ENGINEER
PÖYRY

EPC CONTRACTORS
Sumitomo Corporation
PT. Wasa Mitra Engineering
AvantPower Japan Ltd.

PROJECT DRAWING NO.
 TJB56-L1-OFF-C-SGY-I-DSD-3727

OWNER
 MITSUBISHI HITACHI POWER SYSTEMS

ITEM
 Project DWG. No. ES-(XT)JB5,6-32-00-0018

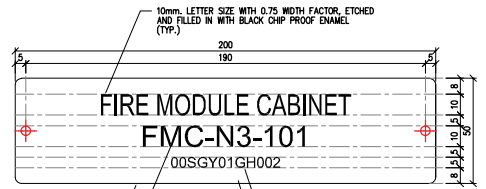
Drawn
 Title
 PANEL OUTLINE DRAWING FOR ESP ELECTRICAL BUILDING

Checked
 Approved

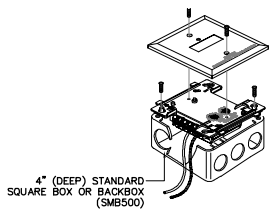
Date
 Scale
 DWG. No. P8266-2-12201

Sheet No. 5/6

CONFIDENTIAL
 MITSUBISHI HITACHI POWER SYSTEMS



DETAIL "B" : NAMEPLATE DETAIL



DETAIL "A"
NTS.

FIRE MODULE CABINET, FMC-N3-101
00SGY01GH002
INSTALL LOCATION @ EP ELECTRICAL ROOM

