

GRF Flanged Conduit Outlet Boxes

Explosionproof, Dust-Ignitionproof

UNILETS™ for use with Threaded Metal Conduit. Furnished with Internal Ground Screw and O-ring.

NEC/CEC:





Class I, Division 1 and 2, Groups B♦, C, D

Class II, Division 1 and 2, Groups E, F, G

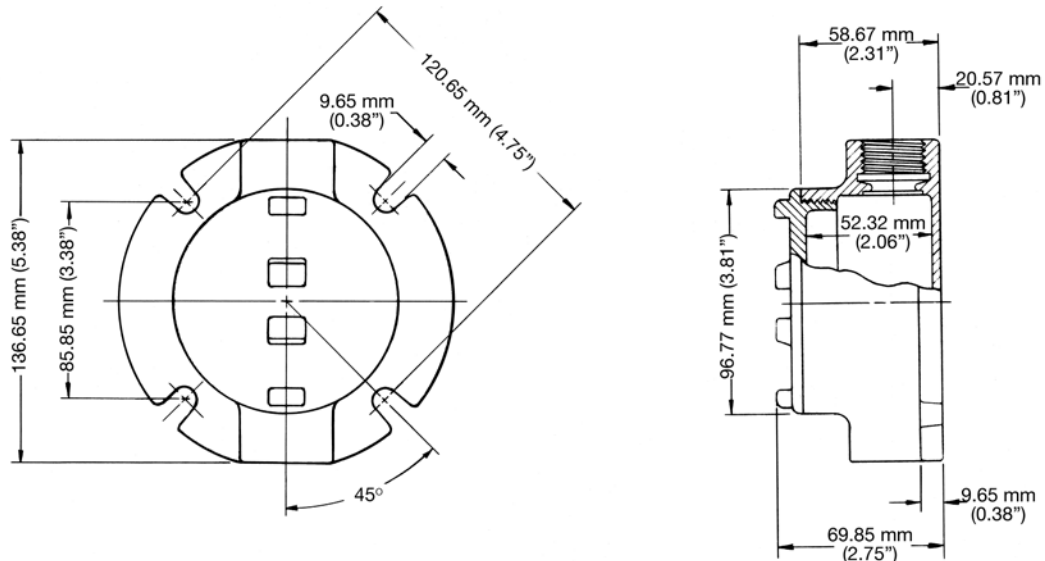
Class III

NEMA 3, 4, 4X ①

Class 1, Zone 1 and 2, IIA, IIB

| | Hub Type | Conduit Size (Inches) | Cover Opening mm (in) | Capacity dm ³ (in ³) | Form Number ④ | Catalog Number ② | |
|--|----------|-----------------------|-----------------------|---|---------------|---|-----------------------------------|
| | | | | | | Malleable Iron ③ Body With Aluminum Cover | Aluminum Body with Aluminum Cover |
|  | GRFC | 1/2 | 85.9 (3.38) | 0.29 (18.0) | 1 | GRFC50 | GRFC50-A |
| | | 3/4 | 85.9 (3.38) | 0.29 (18.0) | 1 | GRFC75 | GRFC75-A |
| | | 1 | 85.9 (3.38) | 0.29 (18.0) | 1 | GRFC100 | GRFC100-A |
|  | GRFL | 1/2 | 85.9 (3.38) | 0.29 (18.0) | 1 | GRFL50 | GRFL50-A |
| | | 3/4 | 85.9 (3.38) | 0.29 (18.0) | 1 | GRFL75 | GRFL75-A |
| | | 1 | 85.9 (3.38) | 0.29 (18.0) | 1 | GRFL100 | GRFL100-A |
|  | GRFT | 1/2 | 85.9 (3.38) | 0.29 (18.0) | 1 | GRFT50 | GRFT50-A |
| | | 3/4 | 85.9 (3.38) | 0.29 (18.0) | 1 | GRFT75 | GRFT75-A |
| | | 1 | 85.9 (3.38) | 0.29 (18.0) | 1 | GRFT100 | GRFT100-A |
|  | GRFX | 1/2 | 85.9 (3.38) | 0.29 (18.0) | 1 | GRFX50 | GRFX50-A |
| | | 3/4 | 85.9 (3.38) | 0.29 (18.0) | 1 | GRFX75 | GRFX75-A |
| | | 1 | 85.9 (3.38) | 0.29 (18.0) | 1 | GRFX100 | GRFX100-A |

Dimensions in Millimeters (Inches)



♦ In Class I, Division 1, Group B atmospheres, all conduit runs must have a sealing fitting (not supplied) field-installed within 2" to the enclosure.

① Aluminum body and cover only.

② Other covers available—see GR and GRF Conduit Outlet Box Covers page. Order separately.

③ For malleable iron body and cover, add suffix **-M**.

④ Form number designates body and matching cover sizes. To order body without cover, add suffix **-LC** to catalog number.

Visit our website at www.appleton.emerson.com or contact us at (800) 621-1506 or +33.3.22.54.27.54.

© May 2022