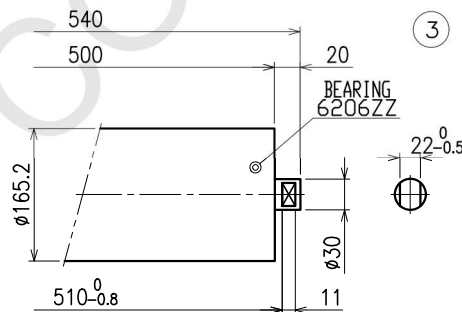
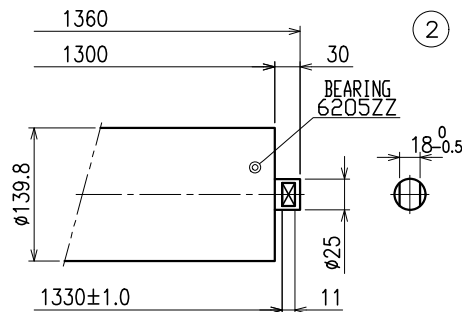


Weight : 106 Kg/set



MARK	PARTICULARS	MATERIAL	NO. REQUIRED			MASS (Kg)		REMARKS
			WORKING	SPARE	TOTAL	PER ONE	TOTAL	
1	FRAME	SS400						
2	CENTER ROLLER	-						
3	SIDE ROLLER	-						

A	'18 02-JUL	REV: REVISE NAMEPLATE	2	SS	SS	M.K	Nakaseko
0	'18 8-JUN		2	SS	SS	M.K	Nakaseko
NO.	DATE	DESCRIPTION	Q'ty	DRAWN	DESIGNED	CHECKED	APPROVED

SCALE 1/10
 1ST ANGLE PROJECTION
 3RD ANGLE PROJECTION
 For Tanjung Jati B
 2500t/h CSU Boom BC
 B 1600 30°±10°
 RETURN IDLER SELF ALIGNING TYPE MARK10

IHI	JOB NO. BK1BA88	CLASSIFICATION 0420-0213
	DRAWING NO. CJ8-10931	REV. A

Uncontrolled when printed or downloaded. Verify that this is the correct version before use.
 Reproduction of part or all the contents of the document is prohibited without written permission from PT. IHI Transport Machinery Co., Ltd.