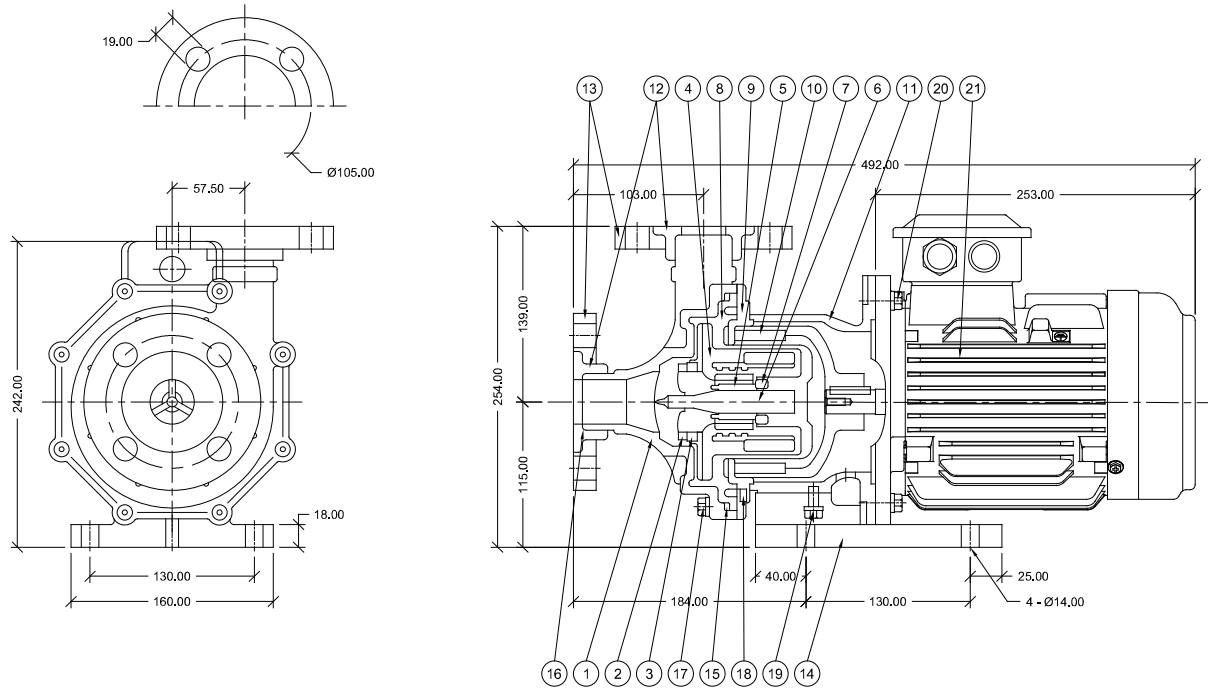


OUTLINE DRAWING FOR ACID METERING PUMP
(00LDN90 / 95 AP010)



REFERENCE DOCUMENT

- DATASHEET FOR CONDENSATE POLISHING PLANT MAGNETIC SEALLESS PUMP, TJB56-BSWS-M-020 (TJB56-L1-OFF-C-LD-M-DAS-3644).
- MOTOR DATASHEET WITH DRAWING FOR CONDENSATE POLISHING PLANT MAGNETIC SEALLESS PUMP, TJB56-BSWS-E-005 (TJB56-L1-OFF-C-LD-E-DAS-3647).
- FOUNDATION OUTLINE FOR EXTERNAL REGENERATION FACILITY (TJB56-BSWS-C-007).
- GENERAL ARRANGEMENT DRAWING FOR EXTERNAL REGENERATION FACILITY, TJB56-BSWS-G-027.

TITLE	Magnet Driven PUMP "Chemi - Free"			
MODEL	YD - 401GSF - RD52			
WEIGHT	Pump	20.5kg	Motor	16.5kg

Bore Size	Suc 40A / Dis 40A	
Total Head	10m	
Capacity	56.7 L/min	
Motors	0.75 kW SUPERB	
	3PH / 380V / 50Hz	
Liquid	Name	HCl 33%
	Conc.	S.G.1.2

19	Socket Head Cap Screw (M6 x 25)	4	SUS 304	-
18	Socket Head Cap Screw (M6 x 12)	6	SUS 304	-
17	Hex Bolts (M8x35 / 60)	8	SUS 304	-
16	O-Ring (AS568 - 129)	2	FPM	-
15	O-Ring (G160)	1	FPM	-
14	Base	1	GFR PP	-
13	Flange	2	GFR PP (ANSI 150)	-
12	Lap Joint	2	CFR ETFE	-
11	Bracket	1	FC200	-
10	Outer Magnet	1	FCD450-10 + Magnet	-
9	Rear Casing Support	1	FC200	-
8	Rear Casing	1	CFR ETFE	-
7	Rear Thrust Ring	1	Ceramics	-
6	Shaft	1	Ceramics	-
5	Bushing (Bearing)	1	PTFE	-
4	Impeller	1	CFR ETFE + Magnet	-
3	Mouth Ring	1	CFR PTFE	-
2	Linear Ring	1	Ceramics + CFR ETFE	-
1	Front Casing	1	CFR ETFE	-
No.	PART NAME	Q'TY	MATERIAL	NOTE