

RECOMMENDED SPARE PARTS

It is recommended that the following replacement parts be purchased and held in reserve to reduce any downtime that might occur due to component failure. Having these replacement parts on hand allows for the equipment to return to operational status with minimal downtime. For a price quote or to place an order, call the Parts Department at (080) 30403705/706.

The quantities shown in the lists below reflect spare parts for Supplied Fuel Feed system

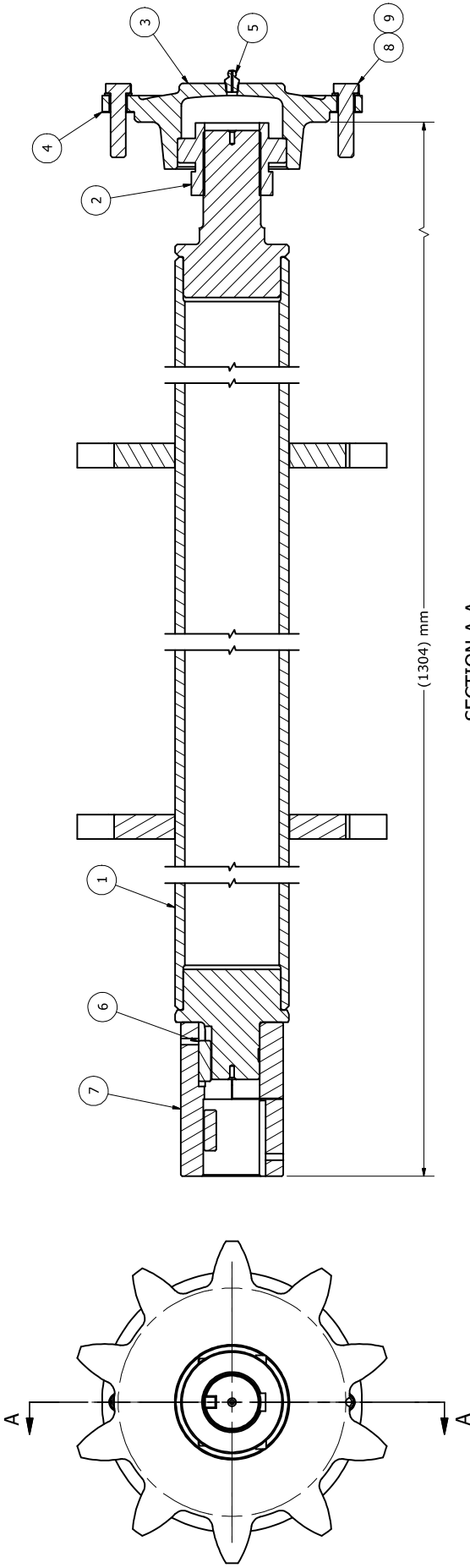
RECOMMENDED SPARES FOR TWO YEARS PER BOILER.

1.MECHANICAL SPARE PARTS

SL.NO.	DESCRIPTION	PART NO	QUANTITY in NOS.
1	BELT	V016002.B06	2
2	SEAL FOR WEIGH SPAN ROLLER	V001237.B06	12
3	SEAL -BELT TAKE-UP	V001575.B06 / V002184.B06	6
4	HOUSING –BELT TAKE-UP	V003282.B04	6
5	SCREW-TAKE-UP	V003186.B04	6
6	SPRING GUIDE	V003188.B04	6
7	SPRING	V001253.B06	6
8	SEAL -TAKE-UP ASSEMBLY COC	V001258.B06	12
9	SCREW-TAKE UP FOR COC	V003193.B04	6
10	DRIVE BLOCK FOR COC TAKE-UP	V003284.B04	6
11	COUPLING COC	V061496.B04	4
12	HEAD PULLEY BUSHING	V001289.B06 / V003401.B04	4
13	BELT TAKE UP PULLEY BEARING	V001254.B06	4
14	WEIGH SPAN ROLLER BEARING	V000517.B06	4
15	INLET SPAN ROLLER BEARING	V001234.B06	4
16	CHAIN TAKE UP BEARING	V001254.B06	4
17	COAL ON BELT BEARING	V414509.B01	4
18	BELT SCRAPPER	V000494.B06	4
19	INLET ROLLER	V061481.B04	12

2. ELECTRICAL SPARE PARTS

SL.NO.	DESCRIPTION	PART NO	QUANTITY IN NOS.
1	WEIGHING MODULE (LOAD CELL)	V003532.B09	6
2	BELT DRIVE MOTOR	V016040.B06	2
3	COC DRIVE MOTOR	V016041.B06	2
4	VFD	V006079.B06	2
5	BOV ACTUATOR	V016273.B06	2
6	TACHO GENERATOR SENSOR	V002328.B06	4
7	DT-9 CONTROLLER	V000873.B09	2
8	RCCB 25A, 2 POLE	V016271.B06	2
9	MCB 4A, 1 POLE	V005962.B06	2
10	MCB 6A, 2 POLE	V005972.B06	2
11	SMPS	V004544.B06	2
12	MPCB	V004849.B06 / V005909.B06	2



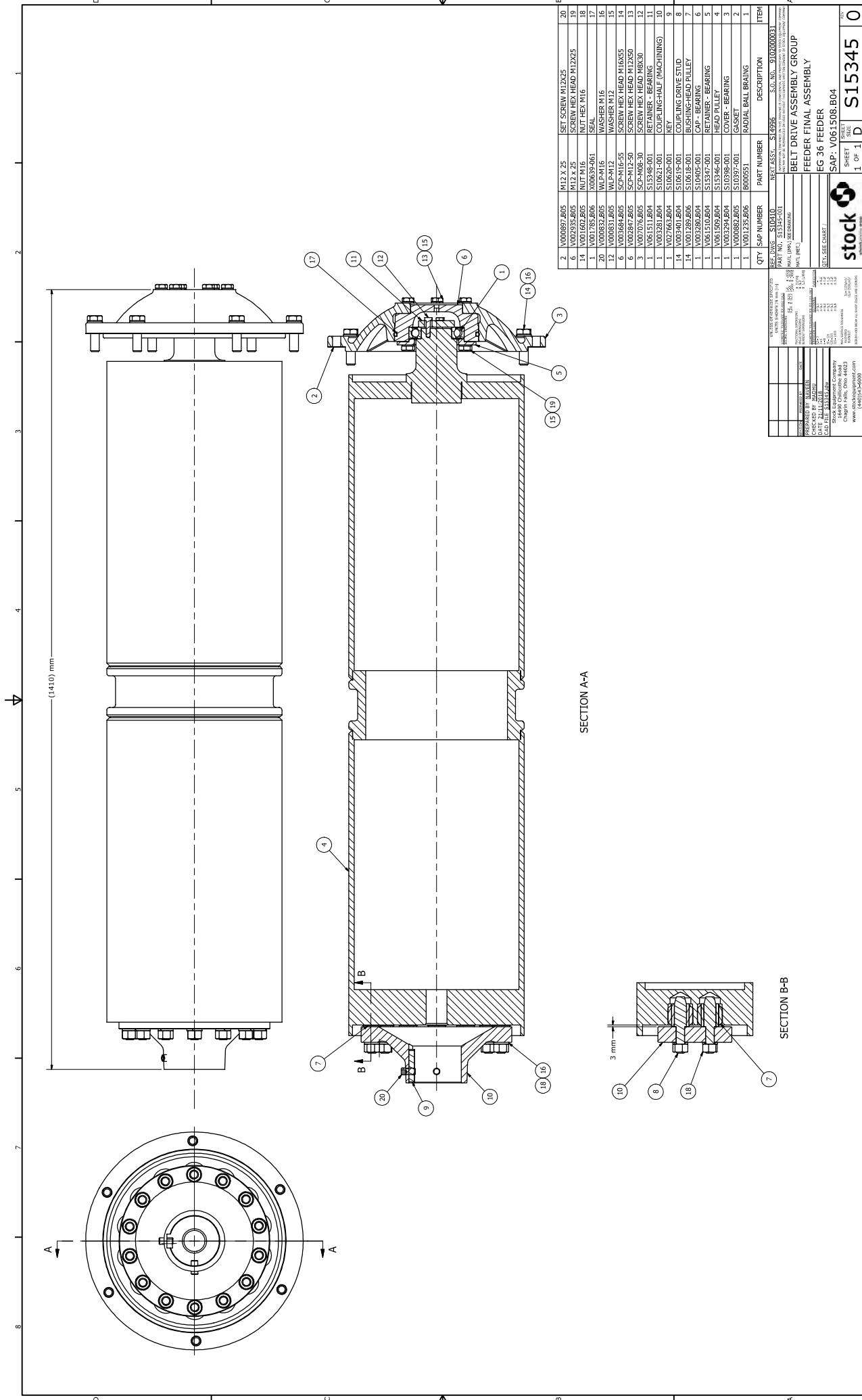
SECTION A-A

NOTE: SPARY GALVANING TO BE DO BE DONE.

4	V004047.B05	WLP-M12	WASHER LOCK REGULAR M12	9
4	V004922.B05	SCP-M12-50	SCREW HEX HEAD CAP PLATED M12x1.75 X 50MM	8
1	V061496.B04	S15269-001	SHAFT COUPLING-COC DRIVE	7
2	V003176.B04	S10437-029	KEY SQUARE ENDS	6
1	V000046.B05	FG00001	GREASE NIPPLE 3/8"	5
1	V003174.B04	S10409-001	GASKET HOUSING COC	4
1	V003173.B04	S10408-001	HOUSING - BEARING	3
1	V001252.B06	B000111	BEARING ECCN.LOC COLLER YEL 209 2F	2
1	V061493.B04	S15267-001	SHAFT WELDMENT COC DRIVE- ASSEMBLY	1
QTY SAP NUMBER PART NUMBER				ITEM

REF. DWG: S10438
 PART NO.: S15266-001
 MATL. (IMP.): SEE DRAWING
 MATL. (MET.):

UNLESS OTHERWISE SPECIFIED
 UNITS SHOWN IN mm (IN)
 DECIMAL DIMENSIONS: X.XX, X.XXX, X.XXXX
 FRACTIONAL DIMENSIONS: 1/8, 1/4, 3/8, 1/2, 5/8, 3/4, 7/8, 1, 1 1/8, 1 1/4, 1 1/2, 1 3/4, 1 7/8, 2, 2 1/8, 2 1/4, 2 1/2, 2 3/4, 3, 3 1/8, 3 1/4, 3 1/2, 3 3/4, 4, 4 1/8, 4 1/4, 4 1/2, 4 3/4, 5, 5 1/8, 5 1/4, 5 1/2, 5 3/4, 6, 6 1/8, 6 1/4, 6 1/2, 6 3/4, 7, 7 1/8, 7 1/4, 7 1/2, 7 3/4, 8, 8 1/8, 8 1/4, 8 1/2, 8 3/4, 9, 9 1/8, 9 1/4, 9 1/2, 9 3/4, 10, 10 1/8, 10 1/4, 10 1/2, 10 3/4, 11, 11 1/8, 11 1/4, 11 1/2, 11 3/4, 12, 12 1/8, 12 1/4, 12 1/2, 12 3/4, 13, 13 1/8, 13 1/4, 13 1/2, 13 3/4, 14, 14 1/8, 14 1/4, 14 1/2, 14 3/4, 15, 15 1/8, 15 1/4, 15 1/2, 15 3/4, 16, 16 1/8, 16 1/4, 16 1/2, 16 3/4, 17, 17 1/8, 17 1/4, 17 1/2, 17 3/4, 18, 18 1/8, 18 1/4, 18 1/2, 18 3/4, 19, 19 1/8, 19 1/4, 19 1/2, 19 3/4, 20, 20 1/8, 20 1/4, 20 1/2, 20 3/4, 21, 21 1/8, 21 1/4, 21 1/2, 21 3/4, 22, 22 1/8, 22 1/4, 22 1/2, 22 3/4, 23, 23 1/8, 23 1/4, 23 1/2, 23 3/4, 24, 24 1/8, 24 1/4, 24 1/2, 24 3/4, 25, 25 1/8, 25 1/4, 25 1/2, 25 3/4, 26, 26 1/8, 26 1/4, 26 1/2, 26 3/4, 27, 27 1/8, 27 1/4, 27 1/2, 27 3/4, 28, 28 1/8, 28 1/4, 28 1/2, 28 3/4, 29, 29 1/8, 29 1/4, 29 1/2, 29 3/4, 30, 30 1/8, 30 1/4, 30 1/2, 30 3/4, 31, 31 1/8, 31 1/4, 31 1/2, 31 3/4, 32, 32 1/8, 32 1/4, 32 1/2, 32 3/4, 33, 33 1/8, 33 1/4, 33 1/2, 33 3/4, 34, 34 1/8, 34 1/4, 34 1/2, 34 3/4, 35, 35 1/8, 35 1/4, 35 1/2, 35 3/4, 36, 36 1/8, 36 1/4, 36 1/2, 36 3/4, 37, 37 1/8, 37 1/4, 37 1/2, 37 3/4, 38, 38 1/8, 38 1/4, 38 1/2, 38 3/4, 39, 39 1/8, 39 1/4, 39 1/2, 39 3/4, 40, 40 1/8, 40 1/4, 40 1/2, 40 3/4, 41, 41 1/8, 41 1/4, 41 1/2, 41 3/4, 42, 42 1/8, 42 1/4, 42 1/2, 42 3/4, 43, 43 1/8, 43 1/4, 43 1/2, 43 3/4, 44, 44 1/8, 44 1/4, 44 1/2, 44 3/4, 45, 45 1/8, 45 1/4, 45 1/2, 45 3/4, 46, 46 1/8, 46 1/4, 46 1/2, 46 3/4, 47, 47 1/8, 47 1/4, 47 1/2, 47 3/4, 48, 48 1/8, 48 1/4, 48 1/2, 48 3/4, 49, 49 1/8, 49 1/4, 49 1/2, 49 3/4, 50, 50 1/8, 50 1/4, 50 1/2, 50 3/4, 51, 51 1/8, 51 1/4, 51 1/2, 51 3/4, 52, 52 1/8, 52 1/4, 52 1/2, 52 3/4, 53, 53 1/8, 53 1/4, 53 1/2, 53 3/4, 54, 54 1/8, 54 1/4, 54 1/2, 54 3/4, 55, 55 1/8, 55 1/4, 55 1/2, 55 3/4, 56, 56 1/8, 56 1/4, 56 1/2, 56 3/4, 57, 57 1/8, 57 1/4, 57 1/2, 57 3/4, 58, 58 1/8, 58 1/4, 58 1/2, 58 3/4, 59, 59 1/8, 59 1/4, 59 1/2, 59 3/4, 60, 60 1/8, 60 1/4, 60 1/2, 60 3/4, 61, 61 1/8, 61 1/4, 61 1/2, 61 3/4, 62, 62 1/8, 62 1/4, 62 1/2, 62 3/4, 63, 63 1/8, 63 1/4, 63 1/2, 63 3/4, 64, 64 1/8, 64 1/4, 64 1/2, 64 3/4, 65, 65 1/8, 65 1/4, 65 1/2, 65 3/4, 66, 66 1/8, 66 1/4, 66 1/2, 66 3/4, 67, 67 1/8, 67 1/4, 67 1/2, 67 3/4, 68, 68 1/8, 68 1/4, 68 1/2, 68 3/4, 69, 69 1/8, 69 1/4, 69 1/2, 69 3/4, 70, 70 1/8, 70 1/4, 70 1/2, 70 3/4, 71, 71 1/8, 71 1/4, 71 1/2, 71 3/4, 72, 72 1/8, 72 1/4, 72 1/2, 72 3/4, 73, 73 1/8, 73 1/4, 73 1/2, 73 3/4, 74, 74 1/8, 74 1/4, 74 1/2, 74 3/4, 75, 75 1/8, 75 1/4, 75 1/2, 75 3/4, 76, 76 1/8, 76 1/4, 76 1/2, 76 3/4, 77, 77 1/8, 77 1/4, 77 1/2, 77 3/4, 78, 78 1/8, 78 1/4, 78 1/2, 78 3/4, 79, 79 1/8, 79 1/4, 79 1/2, 79 3/4, 80, 80 1/8, 80 1/4, 80 1/2, 80 3/4, 81, 81 1/8, 81 1/4, 81 1/2, 81 3/4, 82, 82 1/8, 82 1/4, 82 1/2, 82 3/4, 83, 83 1/8, 83 1/4, 83 1/2, 83 3/4, 84, 84 1/8, 84 1/4, 84 1/2, 84 3/4, 85, 85 1/8, 85 1/4, 85 1/2, 85 3/4, 86, 86 1/8, 86 1/4, 86 1/2, 86 3/4, 87, 87 1/8, 87 1/4, 87 1/2, 87 3/4, 88, 88 1/8, 88 1/4, 88 1/2, 88 3/4, 89, 89 1/8, 89 1/4, 89 1/2, 89 3/4, 90, 90 1/8, 90 1/4, 90 1/2, 90 3/4, 91, 91 1/8, 91 1/4, 91 1/2, 91 3/4, 92, 92 1/8, 92 1/4, 92 1/2, 92 3/4, 93, 93 1/8, 93 1/4, 93 1/2, 93 3/4, 94, 94 1/8, 94 1/4, 94 1/2, 94 3/4, 95, 95 1/8, 95 1/4, 95 1/2, 95 3/4, 96, 96 1/8, 96 1/4, 96 1/2, 96 3/4, 97, 97 1/8, 97 1/4, 97 1/2, 97 3/4, 98, 98 1/8, 98 1/4, 98 1/2, 98 3/4, 99, 99 1/8, 99 1/4, 99 1/2, 99 3/4, 100, 100 1/8, 100 1/4, 100 1/2, 100 3/4, 101, 101 1/8, 101 1/4, 101 1/2, 101 3/4, 102, 102 1/8, 102 1/4, 102 1/2, 102 3/4, 103, 103 1/8, 103 1/4, 103 1/2, 103 3/4, 104, 104 1/8, 104 1/4, 104 1/2, 104 3/4, 105, 105 1/8, 105 1/4, 105 1/2, 105 3/4, 106, 106 1/8, 106 1/4, 106 1/2, 106 3/4, 107, 107 1/8, 107 1/4, 107 1/2, 107 3/4, 108, 108 1/8, 108 1/4, 108 1/2, 108 3/4, 109, 109 1/8, 109 1/4, 109 1/2, 109 3/4, 110, 110 1/8, 110 1/4, 110 1/2, 110 3/4, 111, 111 1/8, 111 1/4, 111 1/2, 111 3/4, 112, 112 1/8, 112 1/4, 112 1/2, 112 3/4, 113, 113 1/8, 113 1/4, 113 1/2, 113 3/4, 114, 114 1/8, 114 1/4, 114 1/2, 114 3/4, 115, 115 1/8, 115 1/4, 115 1/2, 115 3/4, 116, 116 1/8, 116 1/4, 116 1/2, 116 3/4, 117, 117 1/8, 117 1/4, 117 1/2, 117 3/4, 118, 118 1/8, 118 1/4, 118 1/2, 118 3/4, 119, 119 1/8, 119 1/4, 119 1/2, 119 3/4, 120, 120 1/8, 120 1/4, 120 1/2, 120 3/4, 121, 121 1/8, 121 1/4, 121 1/2, 121 3/4, 122, 122 1/8, 122 1/4, 122 1/2, 122 3/4, 123, 123 1/8, 123 1/4, 123 1/2, 123 3/4, 124, 124 1/8, 124 1/4, 124 1/2, 124 3/4, 125, 125 1/8, 125 1/4, 125 1/2, 125 3/4, 126, 126 1/8, 126 1/4, 126 1/2, 126 3/4, 127, 127 1/8, 127 1/4, 127 1/2, 127 3/4, 128, 128 1/8, 128 1/4, 128 1/2, 128 3/4, 129, 129 1/8, 129 1/4, 129 1/2, 129 3/4, 130, 130 1/8, 130 1/4, 130 1/2, 130 3/4, 131, 131 1/8, 131 1/4, 131 1/2, 131 3/4, 132, 132 1/8, 132 1/4, 132 1/2, 132 3/4, 133, 133 1/8, 133 1/4, 133 1/2, 133 3/4, 134, 134 1/8, 134 1/4, 134 1/2, 134 3/4, 135, 135 1/8, 135 1/4, 135 1/2, 135 3/4, 136, 136 1/8, 136 1/4, 136 1/2, 136 3/4, 137, 137 1/8, 137 1/4, 137 1/2, 137 3/4, 138, 138 1/8, 138 1/4, 138 1/2, 138 3/4, 139, 139 1/8, 139 1/4, 139 1/2, 139 3/4, 140, 140 1/8, 140 1/4, 140 1/2, 140 3/4, 141, 141 1/8, 141 1/4, 141 1/2, 141 3/4, 142, 142 1/8, 142 1/4, 142 1/2, 142 3/4, 143, 143 1/8, 143 1/4, 143 1/2, 143 3/4, 144, 144 1/8, 144 1/4, 144 1/2, 144 3/4, 145, 145 1/8, 145 1/4, 145 1/2, 145 3/4, 146, 146 1/8, 146 1/4, 146 1/2, 146 3/4, 147, 147 1/8, 147 1/4, 147 1/2, 147 3/4, 148, 148 1/8, 148 1/4, 148 1/2, 148 3/4, 149, 149 1/8, 149 1/4, 149 1/2, 149 3/4, 150, 150 1/8, 150 1/4, 150 1/2, 150 3/4, 151, 151 1/8, 151 1/4, 151 1/2, 151 3/4, 152, 152 1/8, 152 1/4, 152 1/2, 152 3/4, 153, 153 1/8, 153 1/4, 153 1/2, 153 3/4, 154, 154 1/8, 154 1/4, 154 1/2, 154 3/4, 155, 155 1/8, 155 1/4, 155 1/2, 155 3/4, 156, 156 1/8, 156 1/4, 156 1/2, 156 3/4, 157, 157 1/8, 157 1/4, 157 1/2, 157 3/4, 158, 158 1/8, 158 1/4, 158 1/2, 158 3/4, 159, 159 1/8, 159 1/4, 159 1/2, 159 3/4, 160, 160 1/8, 160 1/4, 160 1/2, 160 3/4, 161, 161 1/8, 161 1/4, 161 1/2, 161 3/4, 162, 162 1/8, 162 1/4, 162 1/2, 162 3/4, 163, 163 1/8, 163 1/4, 163 1/2, 163 3/4, 164, 164 1/8, 164 1/4, 164 1/2, 164 3/4, 165, 165 1/8, 165 1/4, 165 1/2, 165 3/4, 166, 166 1/8, 166 1/4, 166 1/2, 166 3/4, 167, 167 1/8, 167 1/4, 167 1/2, 167 3/4, 168, 168 1/8, 168 1/4, 168 1/2, 168 3/4, 169, 169 1/8, 169 1/4, 169 1/2, 169 3/4, 170, 170 1/8, 170 1/4, 170 1/2, 170 3/4, 171, 171 1/8, 171 1/4, 171 1/2, 171 3/4, 172, 172 1/8, 172 1/4, 172 1/2, 172 3/4, 173, 173 1/8, 173 1/4, 173 1/2, 173 3/4, 174, 174 1/8, 174 1/4, 174 1/2, 174 3/4, 175, 175 1/8, 175 1/4, 175 1/2, 175 3/4, 176, 176 1/8, 176 1/4, 176 1/2, 176 3/4, 177, 177 1/8, 177 1/4, 177 1/2, 177 3/4, 178, 178 1/8, 178 1/4, 178 1/2, 178 3/4, 179, 179 1/8, 179 1/4, 179 1/2, 179 3/4, 180, 180 1/8, 180 1/4, 180 1/2, 180 3/4, 181, 181 1/8, 181 1/4, 181 1/2, 181 3/4, 182, 182 1/8, 182 1/4, 182 1/2, 182 3/4, 183, 183 1/8, 183 1/4, 183 1/2, 183 3/4, 184, 184 1/8, 184 1/4, 184 1/2, 184 3/4, 185, 185 1/8, 185 1/4, 185 1/2, 185 3/4, 186, 186 1/8, 186 1/4, 186 1/2, 186 3/4, 187, 187 1/8, 187 1/4, 187 1/2, 187 3/4, 188, 188 1/8, 188 1/4, 188 1/2, 188 3/4, 189, 189 1/8, 189 1/4, 189 1/2, 189 3/4, 190, 190 1/8, 190 1/4, 190 1/2, 190 3/4, 191, 191 1/8, 191 1/4, 191 1/2, 191 3/4, 192, 192 1/8, 192 1/4, 192 1/2, 192 3/4, 193, 193 1/8, 193 1/4, 193 1/2, 193 3/4, 194, 194 1/8, 194 1/4, 194 1/2, 194 3/4, 195, 195 1/8, 195 1/4, 195 1/2, 195 3/4, 196, 196 1/8, 196 1/4, 196 1/2, 196 3/4, 197, 197 1/8, 197 1/4, 197 1/2, 197 3/4, 198, 198 1/8, 198 1/4, 198 1/2, 198 3/4, 199, 199 1/8, 199 1/4, 199 1/2, 199 3/4, 200, 200 1/8, 200 1/4, 200 1/2, 200 3/4, 201, 201 1/8, 201 1/4, 201 1/2, 201 3/4, 202, 202 1/8, 202 1/4, 202 1/2, 202 3/4, 203, 203 1/8, 203 1/4, 203 1/2, 203 3/4, 204, 204 1/8, 204 1/4, 204 1/2, 204 3/4, 205, 205 1/8, 205 1/4, 205 1/2, 205 3/4, 206, 206 1/8, 206 1/4, 206 1/2, 206 3/4, 207, 207 1/8, 207 1/4, 207 1/2, 207 3/4, 208, 208 1/8, 208 1/4, 208 1/2, 208 3/4, 209, 209 1/8, 209 1/4, 209 1/2, 209 3/4, 210, 210 1/8, 210 1/4, 210 1/2, 210 3/4, 211, 211 1/8, 211 1/4, 211 1/2, 211 3/4, 212, 212 1/8, 212 1/4, 212 1/2, 212 3/4, 213, 213 1/8, 213 1/4, 213 1/2, 213 3/4, 214, 214 1/8, 214 1/4, 214 1/2, 214 3/4, 215, 215 1/8, 215 1/4, 215 1/2, 215 3/4, 216, 216 1/8, 216 1/4, 216 1/2, 216 3/4, 217, 217 1/8, 217 1/4, 217 1/2, 217 3/4, 218, 218 1/8, 218 1/4, 218 1/2, 218 3/4, 219, 219 1/8, 219 1/4, 219 1/2, 219 3/4, 220, 220 1/8, 220 1/4, 220 1/2, 220 3/4, 221, 221 1/8, 221 1/4, 221 1/2, 221 3/4, 222, 222 1/8, 222 1/4, 222 1/2, 222 3/4, 223, 223 1/8, 223 1/4, 223 1/2, 223 3/4, 224, 224 1/8, 224 1/4, 224 1/2, 224 3/4, 225, 225 1/8, 225 1/4, 225 1/2, 225 3/4, 226, 226 1/8, 226 1/4, 226 1/2, 226 3/4, 227, 227 1/8, 227 1/4, 227 1/2, 227 3/4, 228, 228 1/8, 228 1/4, 228 1/2, 228 3/4, 229, 229 1/8, 229 1/4, 229 1/2, 229 3/4, 230, 230 1/8, 230 1/4, 230 1/2, 230 3/4, 231, 231 1/8, 231 1/4, 231 1/2, 231 3/4, 232, 232 1/8, 232 1/4, 232 1/2, 232 3/4, 233, 233 1/8, 233 1/4, 233 1/2, 233 3/4, 234, 234 1/8, 234 1/4, 234 1/2, 234 3/4, 235, 235 1/8, 235 1/4, 235 1/2, 235 3/4, 236, 236 1/8, 236 1/4, 236 1/2, 236 3/4, 237, 237 1/8, 237 1/4, 237 1/2, 237 3/4, 238, 238 1/8, 238 1/4, 238 1/2, 238 3/4, 239, 239 1/8, 239 1/4, 239 1/2, 239 3/4, 240, 240 1/8, 240 1/4, 240 1/2, 240 3/4, 241, 241 1/8, 241 1/4, 241 1/2, 241 3/4, 242, 242 1/8, 242 1/4, 242 1/2, 242 3/4, 243, 243 1/8, 243 1/4, 243 1/2, 243 3/4, 244, 244 1/8, 244 1/4, 244 1/2, 244 3/4, 245, 245 1/8, 245 1/4, 245 1/2, 245 3/4, 246, 246 1/8, 246 1/4, 246 1/2, 246 3/4, 247, 247 1/8, 247 1/4, 247 1/2, 247 3/4, 248, 248 1/8, 248 1/4, 248 1/2, 248 3/4, 249, 249 1/8, 249 1/4, 249 1/2, 249 3/4, 250, 250 1/8, 250 1/4, 250 1/2, 250 3/4, 251, 251 1/8, 251 1/4, 251 1/2, 251 3/4, 252, 252 1/8, 252 1/4, 252 1/2, 252 3/4, 253, 253 1/8, 253 1/4, 253 1/2, 253 3/4, 254, 254 1/8, 254 1/4, 254 1/2, 254 3/4, 255, 255 1/8, 255 1/4, 255 1/2, 255 3/4, 256, 256 1/8, 256 1/4, 256 1/2, 256 3/4, 257, 257 1/8, 257 1/4, 257 1/2, 257 3/4, 258, 258 1/8, 258 1/4, 258 1/2, 258 3/4, 259, 259 1/8, 259 1/4, 259 1/2, 259 3/4, 260, 260 1/8, 260 1/4, 260 1/2, 260 3/4, 261, 261 1/8, 261 1/4, 261 1/2, 261 3/4, 262, 262 1/8, 262 1/4, 262 1/2, 262 3/4, 263, 263 1/8, 263 1/4, 263 1/2, 263 3/4, 264, 264 1/8, 264 1/4, 264 1/2, 264 3/4, 265, 265 1/8, 265 1/4, 265 1/2, 265 3/4, 266, 266 1/8, 266 1/4, 266 1/2, 266 3/4, 267, 267 1/8, 267 1/4, 267 1/2, 267 3/4, 268, 268 1/8, 268 1/4, 268 1/2, 268 3/4, 269, 269 1/8, 269 1/4, 269 1/2, 269 3/4, 270, 270 1/8, 270 1/4, 270 1/2, 270 3/4, 271, 271 1/8, 271 1/4, 271 1/2, 271 3/4, 272, 272 1/8, 272 1/4, 272 1/2, 272 3/4, 273, 273 1/8, 273 1/4, 273 1/2, 273 3/4, 274, 274 1/8, 274 1/4, 274 1/2, 274 3/4, 275, 275 1/8, 275 1/4, 275 1/2, 275 3/4, 276, 276 1/8, 276 1/4, 276 1/2, 276 3/4, 277, 277 1/8, 277 1/4, 277 1/2, 277 3/4, 278, 278 1/8, 278 1/4, 278 1/2, 278 3/4, 279, 279 1/8, 279 1/4, 279 1/2, 279 3/4, 280, 280 1/8, 280 1/4, 280 1/2, 280 3/4, 281, 281 1/8, 281 1/4, 281 1/2, 281 3/4, 282, 282 1/8, 282 1/4, 282 1/2, 282 3/4, 283, 283 1/8, 283 1/4, 283 1/2, 283 3/4, 284, 284 1/8, 284 1/4, 284 1/2, 284 3/4, 285, 285 1/8, 285 1/4, 285 1/2, 285 3/4, 286, 286 1/8, 286 1/4, 286 1/2, 286 3/4, 287, 287 1/8, 287 1/4, 287 1/2, 287 3/4, 288, 288 1/8, 288 1/4, 288 1/2, 288 3/4, 289, 289 1/8, 289 1/4, 289 1/2, 289 3/4, 290, 290 1/8, 290 1/4, 290 1/2, 290 3/4, 291



QTY	SAP NUMBER	PART NUMBER	DESCRIPTION	ITEM
20	V000952.B05	M12 X 25	SET SCREW M12X25	20
4	V000952.B05	M12 X 12	SCREW HEX HEAD M12X12	19
14	V000952.B05	O-RING	O-RING	18
1	V001785.B06	WASHER M16	WASHER M16	17
20	V000832.B05	WLP-M16	WASHER M16	16
12	V000831.B05	WLP-M12	WASHER M12	15
6	V003664.B05	SCP-M16-55	SCREW HEX HEAD M16X55	14
6	V002847.B05	SCP-M12-50	SCREW HEX HEAD M12X50	13
3	V007076.B05	SCP-M08-30	SCREW HEX HEAD M8X30	12
1	V001511.B04	S15346-001	RETAINER - BEARING	11
1	V002847.B05	S10398-001	COVER - BEARING	10
1	V002428.B04	S10654-001	COUPLING-HALF (MACHINING)	9
14	V0013401.B04	S10619-001	COUPLING DRIVE STUD	8
14	V001289.B06	S10618-001	BUSHING-HEAD PULLEY	7
1	V003280.B04	S10405-001	CAP - BEARING	6
1	V001510.B04	S15347-001	RETAINER - BEARING	5
1	V001508.B04	S15346-001	HEAD PULLEY	4
1	V003254.B04	S10398-001	COVER - BEARING	3
1	V000952.B05	S10397-001	GASKET	2
1	V001255.B06	R000551	RADIAL BALL BEARING	1

ITEM	DESCRIPTION	S.O. NO.	S.O. NO.
1	BELT DRIVE ASSEMBLY	S15345	S1000000031
2	BELT DRIVE ASSEMBLY	S15345	S1000000031
3	BELT DRIVE ASSEMBLY	S15345	S1000000031
4	BELT DRIVE ASSEMBLY	S15345	S1000000031
5	BELT DRIVE ASSEMBLY	S15345	S1000000031
6	BELT DRIVE ASSEMBLY	S15345	S1000000031
7	BELT DRIVE ASSEMBLY	S15345	S1000000031
8	BELT DRIVE ASSEMBLY	S15345	S1000000031
9	BELT DRIVE ASSEMBLY	S15345	S1000000031
10	BELT DRIVE ASSEMBLY	S15345	S1000000031
11	BELT DRIVE ASSEMBLY	S15345	S1000000031
12	BELT DRIVE ASSEMBLY	S15345	S1000000031
13	BELT DRIVE ASSEMBLY	S15345	S1000000031
14	BELT DRIVE ASSEMBLY	S15345	S1000000031
15	BELT DRIVE ASSEMBLY	S15345	S1000000031
16	BELT DRIVE ASSEMBLY	S15345	S1000000031
17	BELT DRIVE ASSEMBLY	S15345	S1000000031
18	BELT DRIVE ASSEMBLY	S15345	S1000000031
19	BELT DRIVE ASSEMBLY	S15345	S1000000031
20	BELT DRIVE ASSEMBLY	S15345	S1000000031

BELT DRIVE ASSEMBLY GROUP

 FEEDER FINAL ASSEMBLY

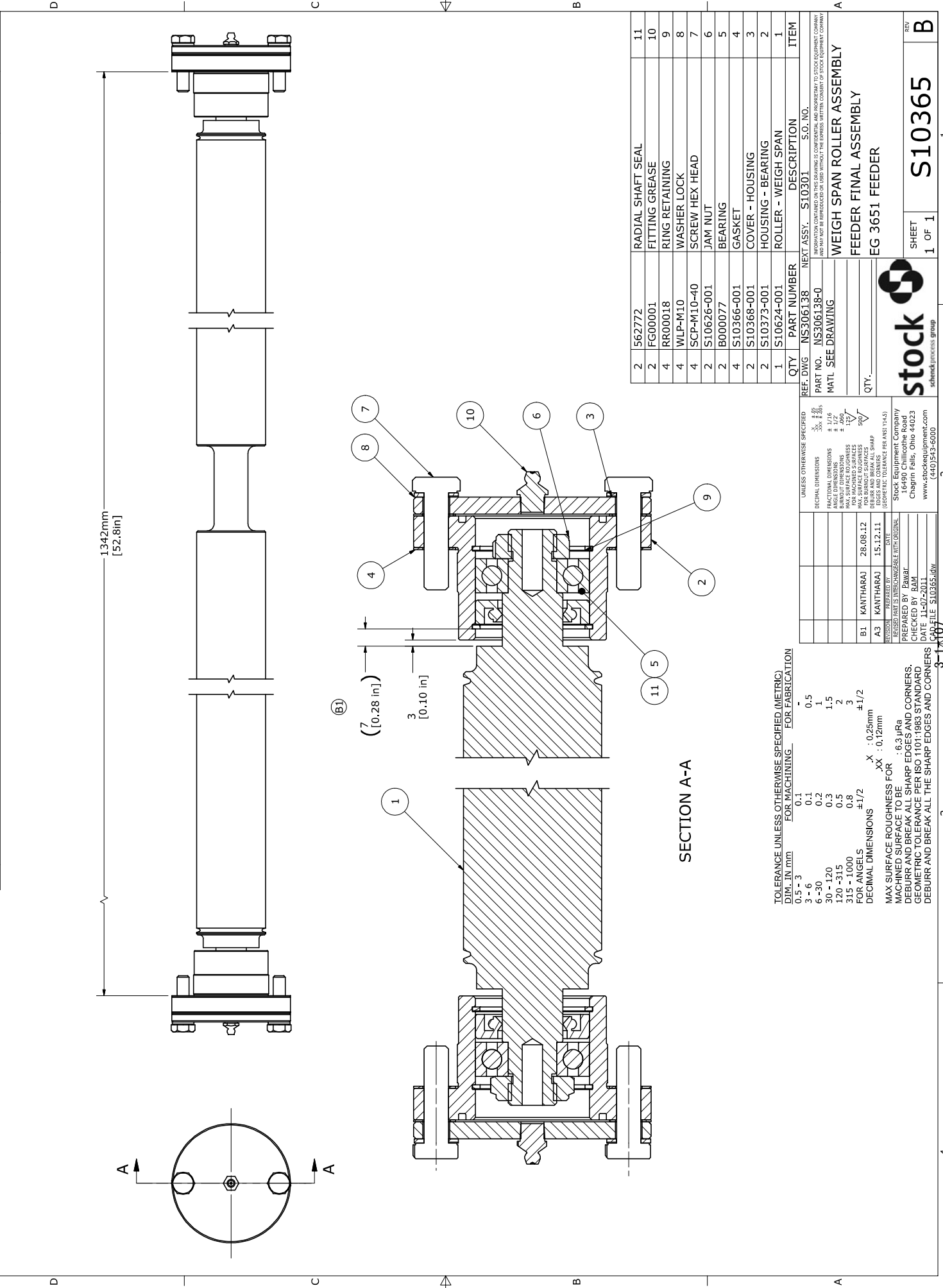
 EG 36 FEEDER

 SAP: V061508.B04

 SHEET 1 OF 1

 D S15345 0

REV	DESCRIPTION	DATE	DRAWN	CHECKED	APPROVED
A	FELT WASHER REMOVER AND RETAINER RING ADDED AND TOLERANCE BLOCK ADDED	15.12.11	KANTHARAJ	MADHU	MV
B	ROLLER S10624 DRAWING REVISED, HENCE THE DRAWING IS REVISED	28.08.12	KANTHARAJ	MADHU	MV



SECTION A-A

TOLERANCE UNLESS OTHERWISE SPECIFIED (METRIC)
 DIM. IN. mm FOR MACHINING FOR FABRICATION
 0.5 - 3 0.1 0.5
 3 - 6 0.1 1
 6 - 30 0.2 1.5
 30 - 120 0.3 3
 120 - 315 0.5 1.2
 315 - 1000 0.8 3
 FOR ANGLES ±1/2
 DECIMAL DIMENSIONS .X : 0.25mm .XX : 0.12mm
 MAX SURFACE ROUGHNESS FOR MACHINED SURFACE TO BE ±6.3 μRa
 ALL SHARP EDGES AND CORNERS TO BE ROUNDED TO R0.3 PER STANDARD
 GEOMETRIC TOLERANCE PER ISO 1101
 DEBURR AND BREAK ALL THE SHARP EDGES AND CORNERS

UNLESS OTHERWISE SPECIFIED	STOCK EQUIPMENT COMPANY
DECIMAL DIMENSIONS .XX ±	16490 Chillicothe Road
FRACTIONAL DIMENSIONS ± 1/16	Chagrin Falls, Ohio 44023
BURNED DIMENSIONS ± 0.00	www.stockequipment.com
FOR MACHINED SURFACES	(440)513-6000
MAX SURFACE ROUGHNESS ±1/2	
DEBURR AND BREAK ALL SHARP EDGES AND CORNERS	
GEOMETRIC TOLERANCE PER ANSI Y14.5	
STOCK EQUIPMENT COMPANY	
PREPARED BY PAWAT	
CHECKED BY RAM	
DATE 11-07-2011	
FILE S10365.RW	

REF. DWG	QTY	PART NUMBER	DESCRIPTION	ITEM
2	562772	RADIAL SHAFT SEAL		11
2	FG00001	FITTING GREASE		10
4	RR00018	RING RETAINING		9
4	WLP-M10	WASHER LOCK		8
4	SCP-M10-40	SCREW HEX HEAD		7
2	S10626-001	JAM NUT		6
2	B000077	BEARING		5
4	S10366-001	GASKET		4
2	S10368-001	COVER - HOUSING		3
2	S10373-001	HOUSING - BEARING		2
1	S10624-001	ROLLER - WEIGH SPAN		1

REF. DWG	QTY	PART NUMBER	DESCRIPTION	ITEM
2	562772	RADIAL SHAFT SEAL		11
2	FG00001	FITTING GREASE		10
4	RR00018	RING RETAINING		9
4	WLP-M10	WASHER LOCK		8
4	SCP-M10-40	SCREW HEX HEAD		7
2	S10626-001	JAM NUT		6
2	B000077	BEARING		5
4	S10366-001	GASKET		4
2	S10368-001	COVER - HOUSING		3
2	S10373-001	HOUSING - BEARING		2
1	S10624-001	ROLLER - WEIGH SPAN		1



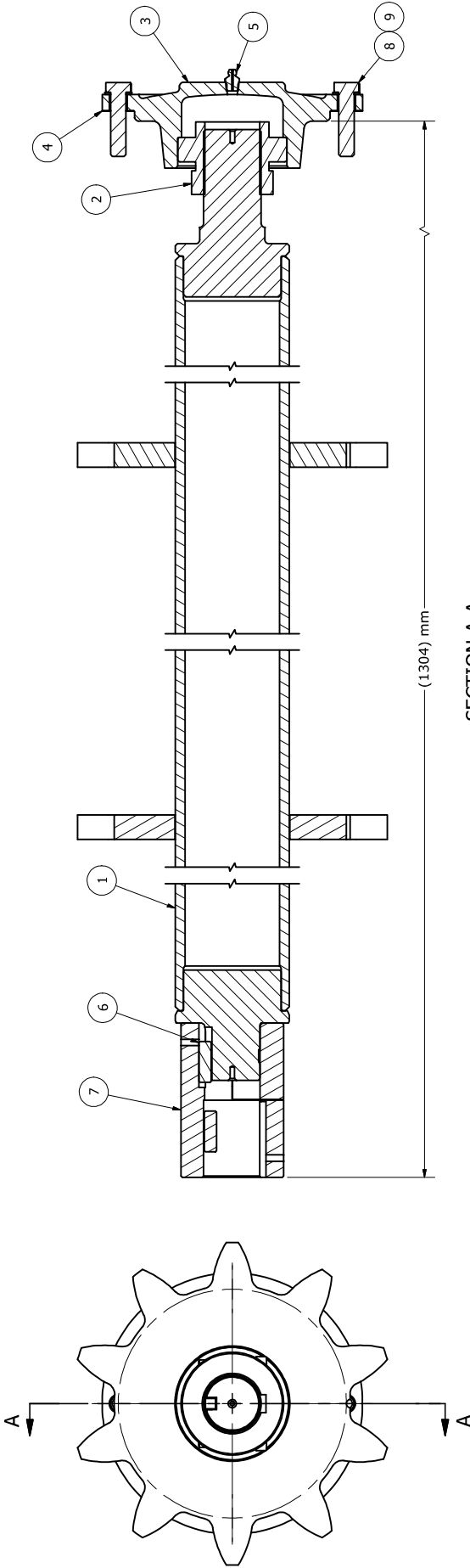
SHEET 1 OF 1	REV B
--------------	-------

WEIGH SPAN ROLLER ASSEMBLY
 FEEDER FINAL ASSEMBLY
 EG 3651 FEEDER

NS306138
 PART NO. NS306138-0
 MATL SEE DRAWING

NS306138
 NEXT ASSY. S10301
 S.O. NO.

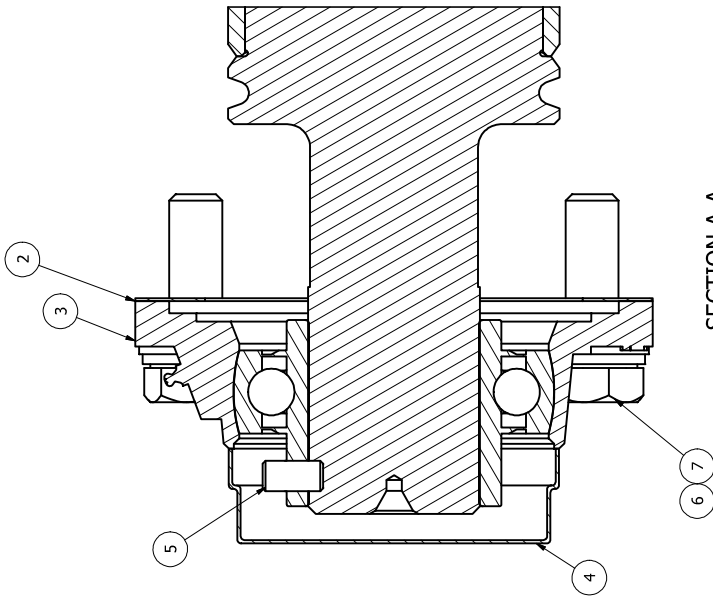
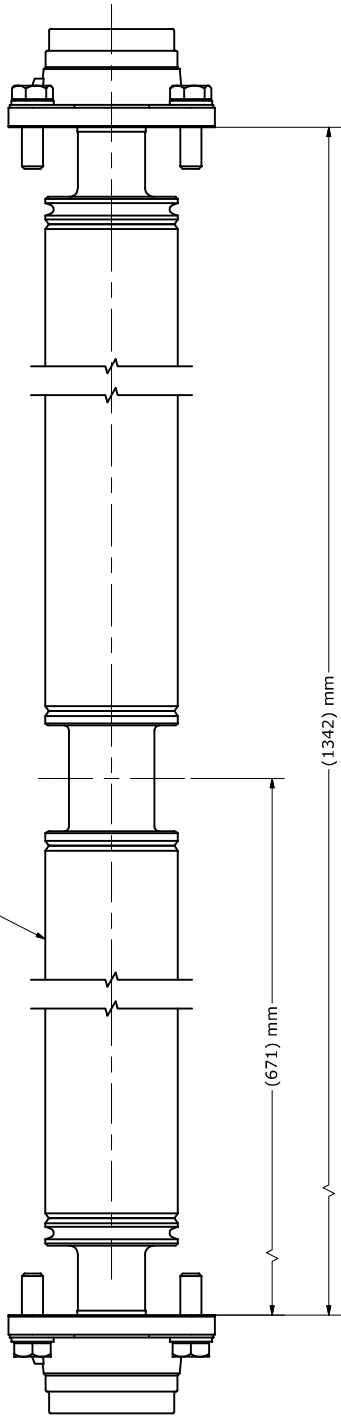
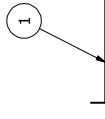
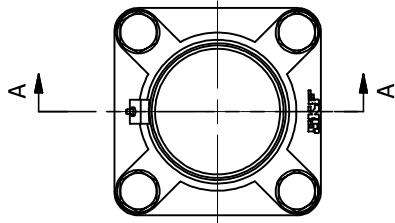
STOCK EQUIPMENT COMPANY
 16490 Chillicothe Road
 Chagrin Falls, Ohio 44023
 www.stockequipment.com
 (440)513-6000



NOTE: SPARY GALVANING TO BE DO BE DONE.

QTY	SAP NUMBER	PART NUMBER	DESCRIPTION	ITEM
4	V004047.B05	WLP-M12	WASHER LOCK REGULAR M12	9
4	V004922.B05	SCP-M12-50	SCREW HEX HEAD CAP PLATED M12x1.75 X 50MM	8
1	V061496.B04	S15269-001	SHAFT COUPLING-COC DRIVE	7
2	V003176.B04	S10437-029	KEY SQUARE ENDS	6
1	V000046.B05	FG00001	GREASE NIPPLE 3/8"	5
1	V003174.B04	S10409-001	GASKET HOUSING COC	4
1	V003173.B04	S10408-001	HOUSING - BEARING	3
1	V001252.B06	IB000111	BEARING ECCN.LOC COLLER YEL 209 2F	2
1	V061493.B04	S15267-001	SHAFT WELDMENT COC DRIVE- ASSEMBLY	1

REF. DWG	S10438	P/N: S15266-001	SAP: V061492.B04
PART NO.	S15266-001	NEXT ASSY:	S14996
MATL. (IMP.)	SEE DRAWING	S.O. NO.	9102000031
MATL. (NET)		UNLESS OTHERWISE SPECIFIED UNITS SHOWN IN mm (in)	
QTY. SEE DRAWING /		FRACTIONS DECIMALS 1/16 3/32 1/8 5/16 3/8 7/16 1/2 5/8 3/4 7/8 1 1 1/4 1 1/2 1 3/4 2 2 1/4 2 1/2 3 3 1/2 4 4 1/2 5 5 1/2 6 6 1/2 7 7 1/2 8 8 1/2 9 9 1/2 10 11 11 1/2 12 13 14 15 16 18 20 22 24 25 28 30 32 36 40 45 48 50 56 60 63 66 72 75 80 84 90 96 100 112 120 125 132 140 150 160 180 200 225 250 280 300 315 324 360 400 450 500 560 600 630 660 720 800 900 1000	
<p>STOCK EQUIPMENT COMPANY 16490 Chillicothe Road Chagrin Falls, Ohio 44023 www.stockequipment.com (419)513-6000</p>			
		<p>ASSEMBLY - COC DRIVE FEEDER FINAL ASSEMBLY EG 36 FEEDER SAP: V061492.B04</p>	
<p>SHEET 1 OF 1</p>		<p>SHEET SIZE C</p>	
<p>REV 0</p>		<p>S15266</p>	



QTY	SAP NUMBER	PART NUMBER	DESCRIPTION	ITEM
8	V001067.B05	SCP-M14-45	SCREW HEX HEAD M14 X 45mm	7
8	V004419.B05	WSP-M14	WASHER FLAT M14	6
1	V002536.B05	BS 4168 - M8 x 16	SCREW CRUB M8 x16mm	5
2	V003327.B04	S10934-001	COVER BEARING FY45TF	4
2	V001234.B06	FY 45 TF	BEARING FLANGE EG3651 FY45TF	3
2	V001560.B06	S10623-001	GASKET - INLET ROLLER	2
1	V061481.B04	S15272-001	INLET SUPPORT ROLLER WILD T & M/C	1

UNLESS OTHERWISE SPECIFIED
 UNITS SHOWN IN mm (in)
 DECIMALS IN mm (in)
 FRACTIONS IN mm (in)
 DIMENSIONS TO CENTER UNLESS NOTED OTHERWISE
 DIMENSIONS TO SURFACE UNLESS NOTED OTHERWISE
 DIMENSIONS TO CENTER UNLESS NOTED OTHERWISE
 DIMENSIONS TO SURFACE UNLESS NOTED OTHERWISE
 DIMENSIONS TO CENTER UNLESS NOTED OTHERWISE
 DIMENSIONS TO SURFACE UNLESS NOTED OTHERWISE

REF. DWG: _____
 PART NO.: S15192-001
 MATL. (IMP.): SEE DRAWING
 MATL. (NET): _____

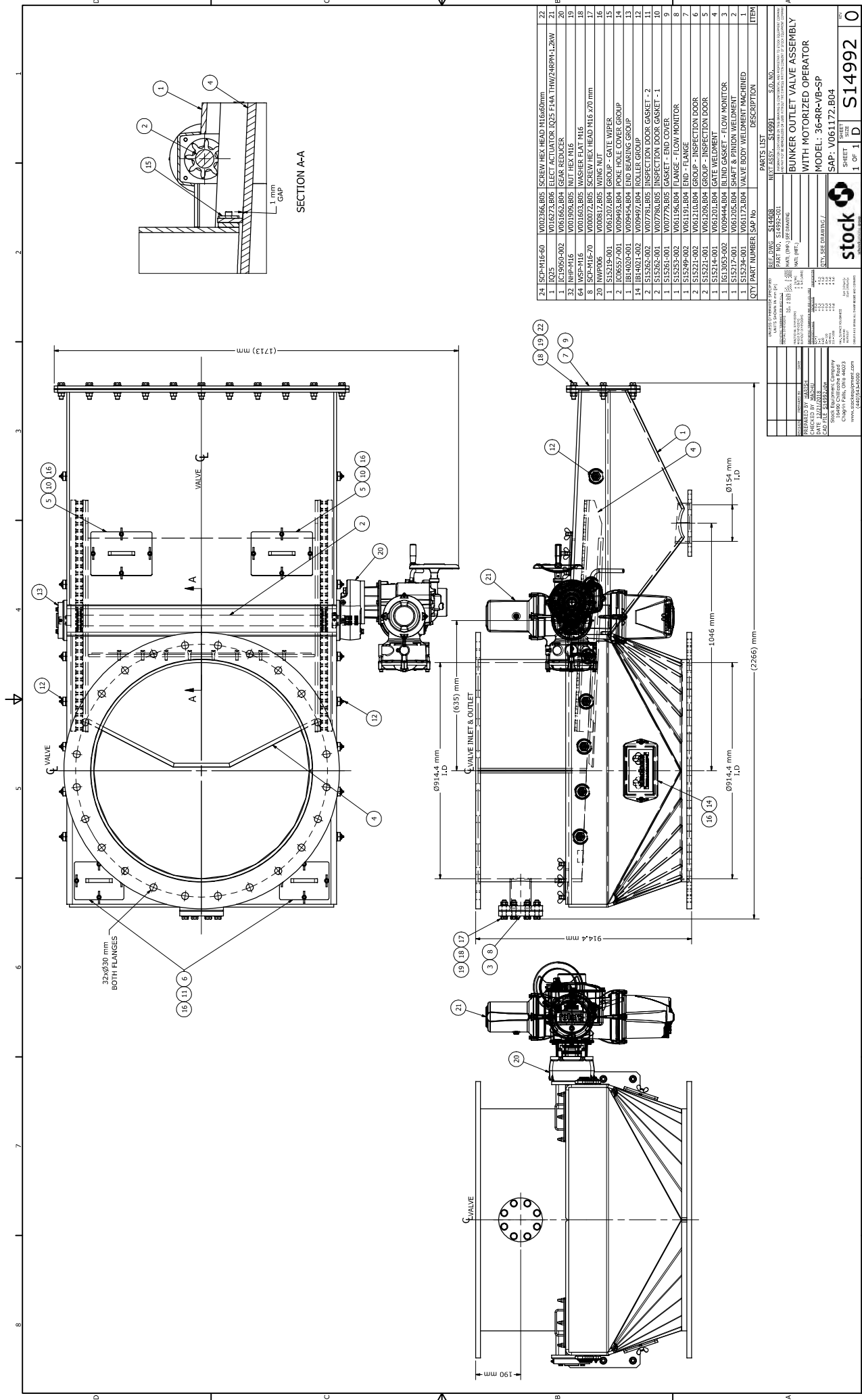
QTY. SEE CHART /

P/N: 15192-001, SAP: V061480.B04
 NEXT ASSY: S14996 S.O. NO.: 9102000031

INLET SUPPORT ROLLER GROUP
 FEEDER FINAL ASSEMBLY
 EG 36 FEEDER
 SAP: V061480.B04

stock
 stock equipment company
 16490 Chillicothe Road
 Chagrin Falls, Ohio 44023
 www.stockequipment.com
 (419) 513-6000

1 OF 1 SHEET
 C SIZE
 S15192
 0 REV



ITEM	QTY	PART NUMBER	SAP No.	DESCRIPTION
21	1	SCPM1E-60	VO02356.805	SCREW HEX HEAD M16x60mm
20	1	VO02356.805	SCREW HEX HEAD M16x60mm	
19	1	VO02356.805	SCREW HEX HEAD M16x60mm	
18	1	VO02356.805	SCREW HEX HEAD M16x60mm	
17	1	VO02356.805	SCREW HEX HEAD M16x60mm	
16	1	VO02356.805	SCREW HEX HEAD M16x60mm	
15	1	VO02356.805	SCREW HEX HEAD M16x60mm	
14	1	VO02356.805	SCREW HEX HEAD M16x60mm	
13	1	VO02356.805	SCREW HEX HEAD M16x60mm	
12	1	VO02356.805	SCREW HEX HEAD M16x60mm	
11	1	VO02356.805	SCREW HEX HEAD M16x60mm	
10	1	VO02356.805	SCREW HEX HEAD M16x60mm	
9	1	VO02356.805	SCREW HEX HEAD M16x60mm	
8	1	VO02356.805	SCREW HEX HEAD M16x60mm	
7	1	VO02356.805	SCREW HEX HEAD M16x60mm	
6	1	VO02356.805	SCREW HEX HEAD M16x60mm	
5	1	VO02356.805	SCREW HEX HEAD M16x60mm	
4	1	VO02356.805	SCREW HEX HEAD M16x60mm	
3	1	VO02356.805	SCREW HEX HEAD M16x60mm	
2	1	VO02356.805	SCREW HEX HEAD M16x60mm	
1	1	VO02356.805	SCREW HEX HEAD M16x60mm	

stock
 SAP: V061172.B04
 MODEL: 36-RR-VB-SP
 WITH MOTORIZED OPERATOR
 BUNKER OUTLET VALVE ASSEMBLY
 PARTS LIST
 REF. DWG: S14992
 REV. ASSY: S14991
 5.0. NO.