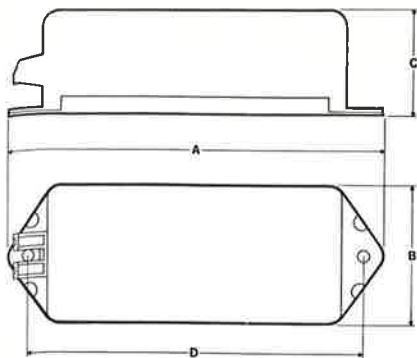
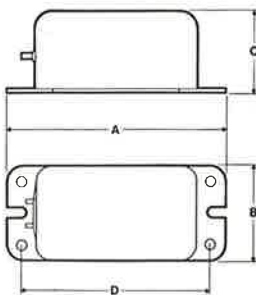
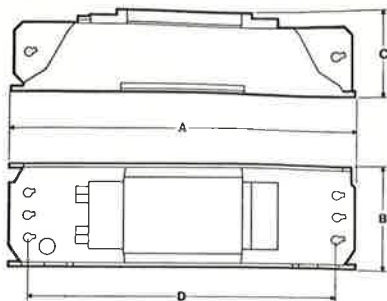


DIMENSIONS



Types BBS & BBX

Type BTP



Type BAS

DIMENSIONS & WEIGHTS

Catalogue No.	For lamp types	Overall Length A (mm)	Overall Width B (mm)	Overall Depth C (mm)	Fixing centres D (mm)	Weight (g)	Circuit Diagram	Packing Quantity
Ballasts for switchstart circuits - 240V								
BBS 125	1 x 125W 2400mm (8ft) 1 x 100W 2400mm (8ft)	169	63	45	152	1800	1	5
BTP 65 L25	1 x 65W/80W 1500mm (5ft) 1 x 60W circ. 410mm (16in.)	195	45.5	38	180	1150	2	5
BTP 40 L25	1 x 40W 1200mm (4ft) 2 x 20W 600mm (2ft)	155	45.5	36.5	140	690	2 or 3	5
BTP 30 L25	1 x 40W circ. 410mm (16in.) 1 x 30W 900mm (3ft) 2 x 15W 450mm (18in.)	155	45.5	36.5	140	690	2 or 3	5
BTP 20 L25	1 x 32W circ. 305mm (12in.) 1 x 20W 600mm (2ft) 1 x 15W 450mm (18in.)	155	45.5	36.5	140	680	2	5
BAS 13	1 x 22W circ. 210mm (8.25in.) 1 x 13W 525mm (21in.) 2 x 8W 300mm (12in.) 2 x 6W 225mm (9in.)	99	41	36	85 x 29	460	2 or 3	5
BAS 8	1 x 4W, 6W, 8W 150mm (6in.) 2 x 4W 150mm (6in.)	99	41	36	85 x 29	460	2 or 3	5
Ballasts for switchstart circuits - 220V								
BTP 65 L05	1 x 65W 1500mm (5ft) 1 x 60W circ. 410mm (16in.)	195	45.5	38	180	1150	2	5
BTP 40 L05	1 x 40W 1200mm (4ft) 2 x 20W 600mm (2ft)	155	45.5	36.5	140	690	2 or 3	5
BTP 30 L05	1 x 40W circ. 410mm (16in.) 1 x 30W 900mm (3ft) 2 x 15W 450mm (18in.)	155	45.5	36.5	140	690	2 or 3	5
BTP 20 L05	1 x 32W circ. 305mm (12in.) 1 x 20W 600mm (2ft) 1 x 15W 450mm (18in.) 1 x 22W circ. 210mm (8.25in.)	155	45.5	36.5	140	680	2	5
Ballasts for starterless circuits - 240V								
BBX 125C	1 x 125W 2400mm (8ft)	168	63	46	152	1800	4	5
BBX 125T	1 x 125W 2400mm (8ft)	168	63	46	152	1800	4	5
BBX 85	1 x 85W 2400mm (8ft)	252	63	48	229 x 42	2750	5	5
BBXK 85	1 x 75/85W 1800mm (6ft)	168	63	46	152	1700	6	5
BBX 65	1 x 65W 1500mm (5ft)	168	63	46	152	1700	6	5
BBX 40	1 x 40W 1200mm (4ft)	147	63	46	127-137 slotted	1500	6	5