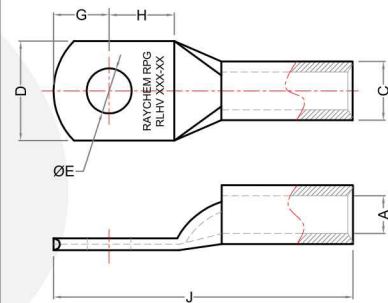


SINGLE HOLE HIGH VOLTAGE CABLE LUGS

Cable mm ²	Stud Size	Dimensions in mm							Product code
		Stud Hole Size	Barrel ID	Barrel OD	Palm Width	Stud Center Distance	Stud Center	Total Length	
		E	A	C	D	G	H	J	
25	M8	8	6.8	10	14	8	9	65	RLHV - 25 - 8
25	M10	10	6.8	10	18	11	13	72	RLHV - 25 - 10
25	M12	12	6.8	10	21	14	16	78	RLHV - 25 - 12
35	M12	12	8.2	12.5	21	14	16	79	RLHV - 35 - 12
35	M16	16	8.2	12.5	26	17	19	85	RLHV - 35 - 16
50	M12	12	9.5	14.5	21	14	16	79	RLHV - 50 - 12
50	M16	16	9.5	14.5	26	17	19	85	RLHV - 50 - 16
70	M12	12	11	16	28	14	16	81	RLHV - 70 - 12
70	M16	16	11	16	30	17	19	87	RLHV - 70 - 16
95	M12	12	13.5	19	28	14	16	91	RLHV - 95 - 12
95	M14	14	13.5	19	29	16	18	95	RLHV - 95 - 14
95	M16	16	13.5	19	30	17	20	97	RLHV - 95 - 16
120	M12	12	15	20.5	31	14	16	97	RLHV - 120 - 12
120	M14	14	15	20.5	31	16	18	101	RLHV - 120 - 14
150	M12	12	16.5	23	32	14	16	97	RLHV - 150 - 12
150	M14	14	16.5	23	32	16	18	101	RLHV - 150 - 14
185	M14	14	17	23.5	32.5	16	18	101	RLHV - 185 - 14
240	M14	14	19.2	25.5	44	16	18	105	RLHV - 240 - 14
300	M14	14	23.5	32	43	16	18	105	RLHV - 300 - 14
400	M14	14	27	38	51	19	22	140	RLHV - 400 - 14
400	M16	16	27	38	51	19	22	140	RLHV - 400 - 16
400	M20	20	27	38	51.0	23	24	146	RLHV - 400 - 20
500	M16	16	30.3	41	56.5	19	22	147	RLHV - 500 - 16
500	M20	20	30.3	41	56.5	23	24	153	RLHV - 500 - 20
630	M16	16	33.4	43	61.5	19	22	159	RLHV - 630 - 16
630	M20	20	33.4	43	61.5	23	24	165	RLHV - 630 - 20



Lug-33kV application



Diagram

FEATURES

- HV lugs are specially designed to withstand high voltage applications upto 33 KV.
- Manufactured from high quality copper tube, annealed and tin plated
- With inspection hole to ensure full cable insertion
- Chamfered mouth for easy cable insertion
- Can be available with /without inspection window