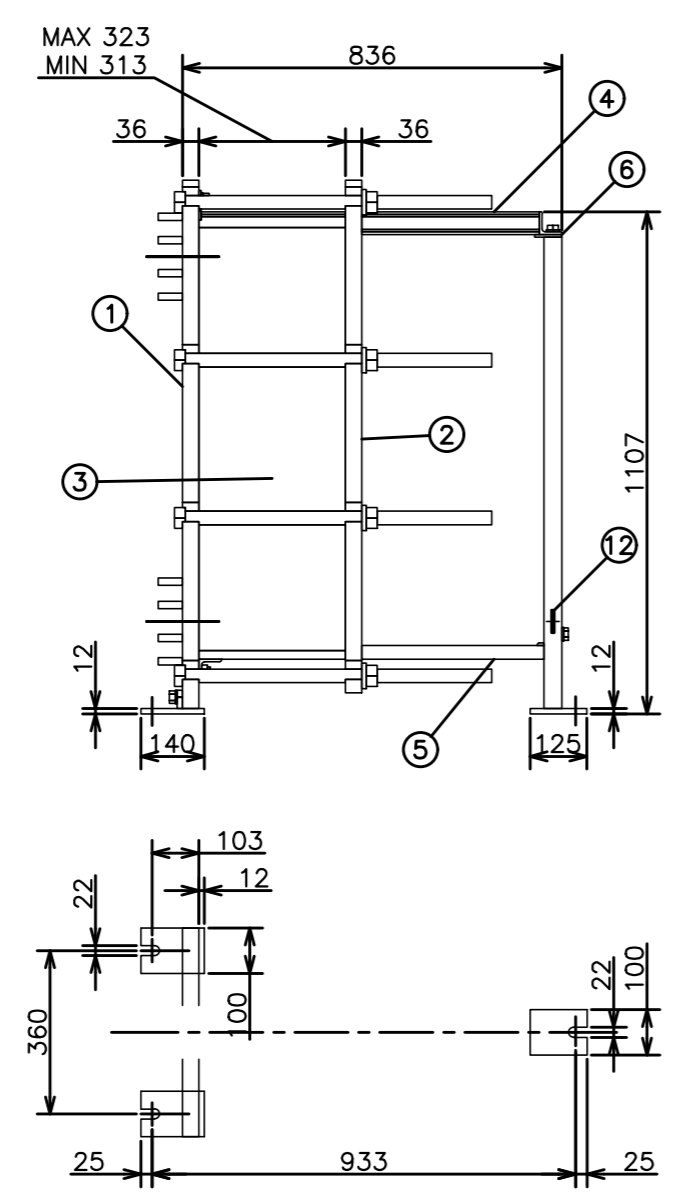
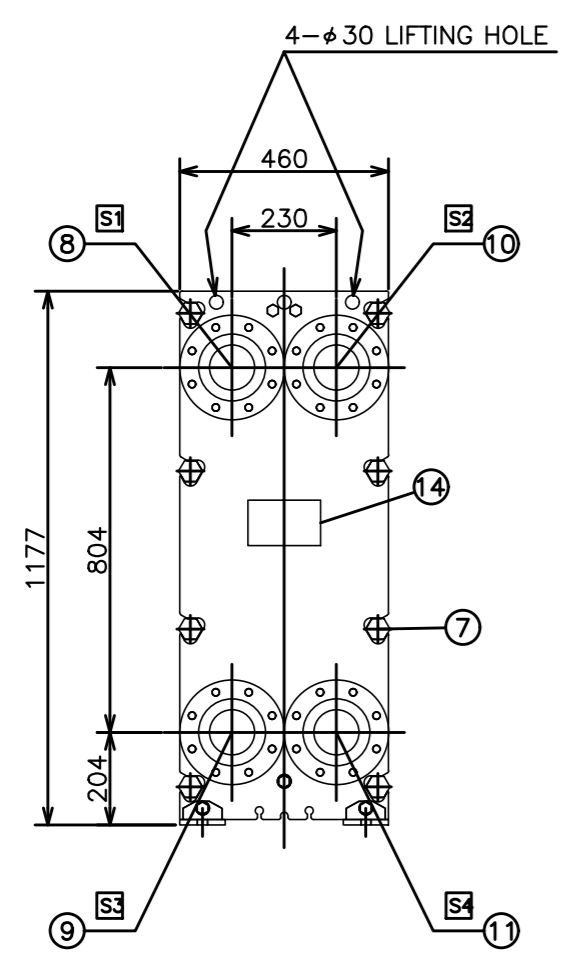


NOZZLE ORIENTATION		CONNECTION	
S1	TURBINE OIL (VG32) INLET	ASME CLASS150-NPS4 INCLUDE STUD B&N	
S3	TURBINE OIL (VG32) OUTLET	ASME CLASS150-NPS4 INCLUDE STUD B&N	
S4	C.C.C.WATER INLET	ASME CLASS150-NPS4 INCLUDE STUD B&N	
S2	C.C.C.WATER OUTLET	ASME CLASS150-NPS4 INCLUDE STUD B&N	
MASS(EMPTY)	490	kg	MASS(FILLED) 560 kg
ATTACHMENT	RATCHET SPANNER	C.S.	M30 1 PC
	ANCHOR BOLT & NUT	SS400	M20x 315L L-TYPE 3 SETS
JOB NO.	M211995 CE 1116/1136		
EQUIP. NAME	BFP-T A/B MAIN OIL COOLER		
ITEM NO.	50LAV21/22 AC001		
APPLICABLE CODE	ASME Sect.VIII without stamp		

DESCRIPTION	OIL SIDE	CCCW SIDE
TEMPERATURE IN	66.31 deg.C	37.10 deg.C
TEMPERATURE OUT	49.00 deg.C	44.52 deg.C
NO. OF PASS	1 PASS	1 PASS
FLOW RATE	50.40 m ³ /hr	45 m ³ /hr
DESIGN PRESSURE	4.8 bar (g)	11.0 bar (g)
DESIGN TEMPERATURE	79.00 deg.C	60.00 deg.C
HYDROTEST PRESSURE	7.2 bar (g)	16.5 bar (g)
NO. OF PLATES	101 /UNIT	
SURFACE AREA	25.25 m ²	
DESIGN CODE	ASME SEC.VIII DIV.1, WITHOUT U-STAMP	

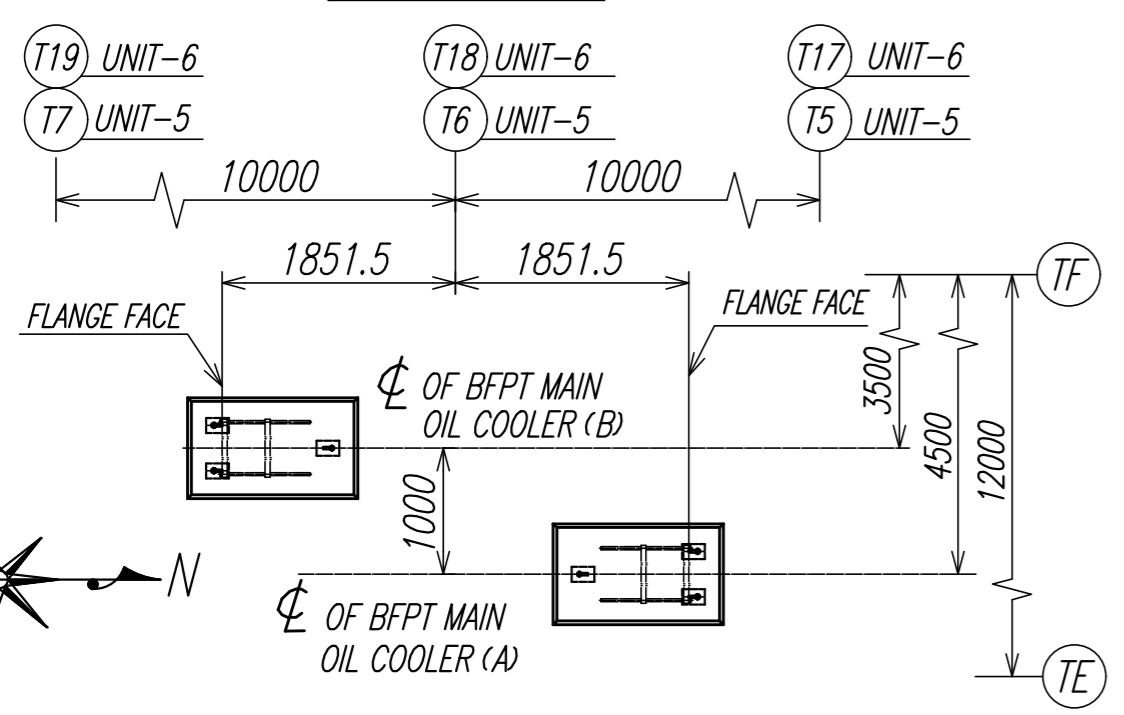


PART 7 FINISH: COATING OF ZINC

NO.	PART NAME	REQ'D	MATERIALS	REMARKS
15	FRANGE GASKET	4	V#GF300	t3,ASME CLASS150-NPS4
14	NAME PLATE	1	SUS304	
13	STUD BOLT & NUT	8x 4SETS	SS400/SS400	M16x 80L
12	EARTH LUG	1	SUS304	t6
11	S.NOZZLE	1	SUS316L	
10	S.NOZZLE	1	SUS316L	
9	S.NOZZLE	1	SUS316L	
8	S.NOZZLE	1	SUS316L	
7	TIGHTENING BOLT & NUT	8 SETS	SNB7/S45C	M30x 675L
6	GUIDE BAR SUPPORT	1	SS400	
5	LOWER GUIDE BAR	1	SUS304	
4	UPPER GUIDE BAR	1	SUS304	
3	PLATE	101	SUS316L	
2	E.FRAME	1	SS400	
1	S.FRAME	1	SS400	

KKS NUMBER		EQUIPMENT
UNIT 5	UNIT 6	
50LAV21 AC001	60LAV21 AC001	BFPT A MAIN OIL COOLER
50LAV22 AC001	60LAV22 AC001	BFPT B MAIN OIL COOLER

The information in this material is confidential and contains our intellectual property including know-how. It shall not be disclosed to any third party, copied, reproduced, used for unauthorized purposes nor modified without prior written consent of us. And please get them back this document after you have done with it. Toshiba Energy Systems & Solutions Corporation Keihin Product Operations



REFERENCE DRAWING FOUNDATION OUTLINE FOR BFPT OIL COOLER: TJB56-L1-OFF-C-XAV-C-DFN-3038 (2KV006699)

ISSUED FOR AS-BUILT

承認 APPROVED BY	調査 REVIEWED BY	承認 APPROVED BY	調査 REVIEWED BY
Y. Inoue JAN.-26-'22	Y. Inoue AUG.-26-'19	Y. Inoue AUG.-07-'19	Y. Inoue MAR.-22-'18
Y. Inoue JAN.-26-'22	Y. Inoue AUG.-26-'19	Y. Inoue AUG.-07-'19	S.Kurita MAR.-22-'18
D.Waki JAN.-26-'22	S.Kurita AUG.-26-'19	S.Kurita AUG.-05-'19	Y.Takagi MAR.-22-'18

承認 APPROVED BY	調査 REVIEWED BY	承認 APPROVED BY	調査 REVIEWED BY
Y. Inoue JUL.-10-'17	Y. Inoue JUL.-10-'17	Y. Inoue JUL.-10-'17	D.Hirano JUL.-10-'17
Y. Inoue JUL.-10-'17	Y. Inoue JUL.-10-'17	Y. Inoue JUL.-10-'17	D.Hirano JUL.-10-'17
Y. Inoue JUL.-10-'17	Y. Inoue JUL.-10-'17	Y. Inoue JUL.-10-'17	D.Hirano JUL.-10-'17

OWNER PT.Bhumi Jati Power

PROJECT TITLE TANJUNG JATI B EXPANSION (JAWA-4) COAL FIRED STEAM POWER PLANT 2 x 1,000 MW

OWNER'S ENGINEER POYRY

EPC CONTRACTORS Sumitomo Corporation, PT. Wasa Mitra Engineering, AvantiPower Japan Ltd.

PROJECT DRAWING NO. TJB56-L1-OFF-C-XAV-M-DRD-2656

APPROVAL TABLE

名称 TITLE OUTLINE DRAWING FOR BFPT OIL COOLER

図面番号 DRAWING NO. 2KV006742

電子承認システム適用