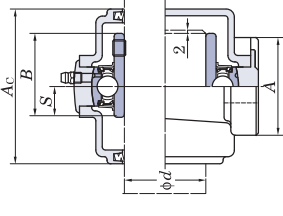
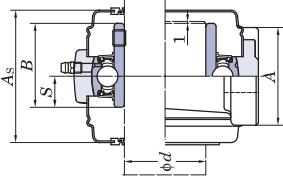
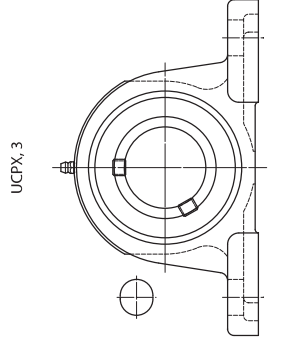
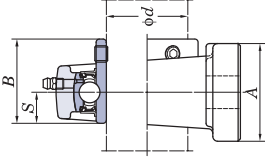
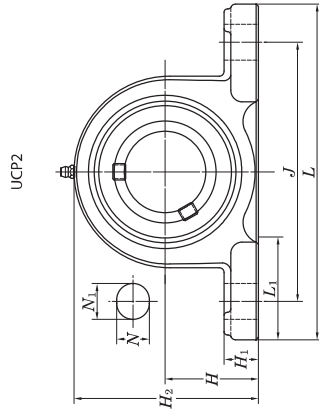


UCP
Cylindrical bore (with set screws)
d (45) ~ (75) mm



Variations of tolerance of distance from mounting bottom to center of spherical bore (JL16)

Housing No.	Unit	Dimension mm	Dimension inch	Mass kg	
P203~P210	PX05~PX10	P305~P310	102	4.1/32	6.2
P211~P218	PX11~PX18	P311~P318	99	3 ²⁹ /32	4.8
PX20	P319~P328	97	3 ¹³ /16	3.9	

Forms and dimensions of H_{5c} of P204JE3 and P205JE3 (housing with cast iron cover) are shown below.



P204JE3 H_{5c} = 70 mm
P205JE3 H_{5c} = 77 mm

Shaft Dia. mm inch	Dimensions													Bolt Size inch mm	Standard		Basic		Factor		With Pressed Steel Cover		With Cast Iron Cover		Mass kg	
	H	L	A	J	N	N1	H1	H2	L1	B	S	Bearing No.	Unit No.		Housing No.	Mass kg	Load Ratings kN	f ₀	Open Type	One Side Closed Type	Unit No.	Open Type	One Side Closed Type	Dimension mm inch		Mass kg
45	1 3/4	2 41/64	9 21/32	2 5/8	7 15/32	25/32	1 3/16	13/16	5 3/16	2 15/16	2.244	0.866	5/8	UCP309-28	P309	48.9	29.5	13.3	UCP309C	UCP309CD	UCP309C	UCP309CD	102	4 1/32	6.2	
	1 7/8	2 1/4	8 1/8	2 3/8	6 1/4	25/32	7/8	13/16	4 7/16	2 3/8	2.031	0.748	5/8	UCP210-30	P210	2.9	35.1	14.4	UCP210C	UCP210CD	UCP210FC	UCP210FCD	74	2 29/32	2.9	
	1 15/16	57.2	206	60	159	20	22	21	113	60	51.6	19	M16	UCP210												
50	2	2 1/2	9 1/2	2 7/8	6 23/32	25/32	1 13/32	7/8	4 31/32	3	2.189	0.874	5/8	UCPX10-31	PX10	4.6	43.4	14.4	UCPX10C	UCPX10CD	UCPX10C	UCPX10CD	76	3	4.6	
	2	63.5	241	73	171	20	36	22	126	76	55.6	22.2	M16	UCPX10												
	2	2 5/8	10 13/16	2 15/16	8 11/32	25/32	1 3/8	15/16	5 13/16	3 15/32	2.402	0.866	5/8	UCPX10-32	P310	6.6	62.0	13.2	UCP310	UCP310CD	UCP310C	UCP310CD	110	4 11/32	8.2	
55	2 1/8	2 1/2	8 5/8	2 3/8	6 23/32	25/32	7/8	29/32	4 29/32	2 9/16	2.189	0.874	5/8	UCP211-32	P211	3.6	43.4	14.4	UCP211C	UCP211CD	UCP211FC	UCP211FCD	99	3 29/32	4.8	
	2 1/4	63.5	219	60	171	20	22	23	125	65	55.6	22.2	M16	UCP211												
	2 3/16	2 3/4	10 1/4	3 1/8	7 1/4	31/32	1 13/32	1 3/32	5 15/32	3 9/32	2.563	1.000	3/4	UCPX11	PX11	6.5	52.4	14.4	UCPX11C	UCPX11CD	UCPX11C	UCPX11CD	89	3 1/2	6.5	
60	2 3/8	80	310	80	236	20	38	27	158	90	66	25	M16	UCP311-32	P311	7.9	71.6	13.2	UCP311C	UCP311CD	UCP311C	UCP311CD	114	4 1/2	9.7	
	2 7/16	2 3/4	9 1/2	2 3/4	7 1/4	25/32	31/32	31/32	5 7/16	2 7/8	2.563	1.000	5/8	UCP212-36	P212	4.9	52.4	14.4	UCP212C	UCP212CD	UCP212FC	UCP212FCD	114	4 1/2	6.4	
	2 1/4	69.8	241	70	184	20	25	25	138	73	65.1	25.4	M16	UCP212												
65	2 7/8	3	11 1/4	3 1/4	8	31/32	1 9/16	1 3/32	5 31/32	3 15/32	2.563	1.000	3/4	UCPX12	PX12	7.7	57.2	14.4	UCPX12C	UCPX12CD	UCPX12C	UCPX12CD	89	3 1/2	7.7	
	2 7/16	76.2	286	83	203	25	40	28	152	88	65.1	25.4	M20	UCP212-39	P212	9.5	81.9	13.2	UCP212C	UCP212CD	UCP212FC	UCP212FCD	124	4 7/8	11.8	
	2 7/8	3 11/32	13	3 11/32	9 27/32	31/32	1 1/2	1 5/32	6 9/16	4 1/16	2.795	1.024	3/4	UCP312	P312	9.5	81.9	13.2	UCP312C	UCP312CD	UCP312C	UCP312CD	124	4 7/8	11.8	
70	2 7/16	85	330	85	250	25	38	29	167	103	71	26	M20	UCP312-39	P213	5.9	57.2	14.4	UCP312C	UCP312CD	UCP313FC	UCP313FCD	114	4 1/2	7.6	
	2 1/2	3	10 7/16	2 3/4	8	31/32	1 3/16	1 1/16	5 29/32	3 1/16	2.563	1.000	3/4	UCP213-40	PX13	8.1	62.2	14.5	UCP213C	UCP213CD	UCP213FC	UCP213FCD	114	4 1/2	7.6	
	2 1/2	76.2	265	70	203	25	30	27	150	78	65.1	25.4	M20	UCP213												
75	2 1/2	76.2	286	83	203	25	40	28	155	88	74.6	30.2	M20	UCP313-40	P313	10.7	92.7	13.2	UCP313C	UCP313CD	UCP313C	UCP313CD	122	4 13/16	12.8	
	2 1/2	3 35/64	13 3/8	3 17/32	10 1/4	31/32	1 1/2	1 1/4	6 15/16	4 11/32	2.953	1.181	3/4	UCP313-40	P214	6.8	62.2	14.5	UCP313C	UCP313CD	UCP314FC	UCP314FCD	124	4 7/8	8.7	
	2 3/4	90	340	90	260	25	38	32	176	110	75	30	M20	UCP313												
75	2 3/4	3 1/8	10 15/32	2 27/32	8 9/32	31/32	1 3/16	1 1/16	6 3/16	4 15/16	2.937	1.189	3/4	UCP314-44	PX14	10.2	67.4	14.5	UCP314C	UCP314CD	UCP314C	UCP314CD	99	3 29/32	10.2	
	2 3/4	88.9	330	89	229	27	50	32	171	98	77.8	33.3	M22	UCP314-44	P314	12.4	104	13.2	UCP314C	UCP314CD	UCP314C	UCP314CD	124	4 7/8	14.7	
	2 3/4	3 47/64	14 3/16	3 17/32	11 1/32	1 1/16	1 9/16	1 3/8	7 5/16	4 11/32	3.071	1.299	7/8	UCP314-44	P215	7.4	67.4	14.5	UCP314C	UCP314CD	UCP314C	UCP314CD	124	4 7/8	14.7	
75	2 15/16	3 1/4	10 13/16	2 29/32	8 17/32	31/32	1 3/16	1 3/32	6 3/8	3 1/16	3.063	1.311	3/4	UCP215-47	P215	7.4	67.4	14.5	UCP215C	UCP215CD	UCP215C	UCP215CD	99	3 29/32	7.4	
	3	82.6	275	74	217	25	30	28	162	78	77.8	33.3	M20	UCP215-48	PX15	10.8	72.7	14.6	UCP215C	UCP215CD	UCP215C	UCP215CD	124	4 7/8	9.3	
	2 15/16	3 1/2	13	3 1/2	9	1 1/16	1 31/32	1 1/4	6 7/8	3 29/32	3.252	1.311	7/8	UCPX15-47	PX15	10.8	72.7	14.6	UCPX15C	UCPX15CD	UCPX15C	UCPX15CD	109	4 9/32	10.8	
3	88.9	330	89	229	27	50	32	175	99	82.6	33.3	M22	UCPX15-48													

Remarks 1. In Part No. of unit and units with covers, fitting codes follow bore diameter numbers. (See Table 10.5 in P62.)

2. Part No. of applicable grease fittings are shown below.

A-1/4-28UNF201~210, X05~X09, 305~308

A-R1/8211~218, X10~X20, 309~328

3. As for the triple seal type product (from 201 to 205 are the double seal type products), suffix code L3 (or L2) follows the Part No. of unit or bearing.

(Example of Part No.: UCP206JL3, UC206L3)

4. For the dimensions and forms of applicable bearings, see the dimensional tables of ball bearing for unit.

5. Representative examples of the forms of housing are indicated.

6. Housings of nodular graphite cast iron are also available.

Appendix Table 17 Ball Bearing Units Interchange Guide

17.1 Pillow Block Units

	FYH · JTEKT	ASAHI	NTN
With pressed steel cover	UCP2·C UCP2·CD	UCP2·C UCP2·E	S-UCP2·D1 SM-UCP2·D1
With cast iron cover	UCP2·FC UCP2·FCD UCP3·C UCP3·CD	CUCP2·C CUCP2·CE CUCP3·C CUCP3·CE	C-UCP2·D1 CM-UCP2·D1 C-UCP3·D1 CM-UCP3·D1
Thick Pillow Block Units	UCIP2· UCIP3·	UCIP2· UCIP3·	UCIP2· UCIP3·
Tapped-Base Pillow Block Units	UCPA2·	UCPA2·	UCUP2·D1
High-Base Pillow Block Units	UCPH2·	UCPH2·	UCHP2·D1
Light Pillow Block Units	BLP2· ALP2·	BLLP·	ASPB2· AELPB2·
Compact Pillow Block Units	UP0·	UP0·	
Corrosion resistant series Pillow Block Units	UCSP2·H1S6 UCSPA2·H1S6 USP0·S6	MUCP2· MUCPA2	
Stamped Steel Pillow Block Units	SBPP2· SAPP2·	BPP·	ASPP2· AELPP2·

17.2 Flange Units

	FYH · JTEKT	ASAHI	NTN
With pressed steel cover	UCF2·C UCF2·D UCFC2·C UCFC2·D UCFL2·C UCFL2·D	UCF2·C UCF2·E UCFC2·C UCFC2·E UCFL2·C UCFL2·E	S-UCF2·D1 SM-UCF2·D1 S-UCFC2·D1 SM-UCFC2·D1 S-UCFL2·D1 SM-UCFL2·D1
With cast iron cover	UCF2·FC UCF2·FD UCF3·C UCF3·D UCFC2·FC UCFC2·FD UCFS3·C UCFS3·D UCFL2·FC UCFL2·FD UCFL3·C UCFL3·D	CUCF2·C CUCF2·CE CUCF3·C CUCF3·CE CUCFC2·C CUCFC2·CE CUCFS3·C CUCFS3·CE CUCFL2·C CUCFL2·CE CUCFL3·C CUCFL3·CE	C-UCF2·D1 CM-UCF2·D1 C-UCF3·D1 CM-UCF3·D1 C-UCFC2·D1 CM-UCFC2·D1 C-UCFS3·D1 CM-UCFS3·D1 C-UCFL2·D1 CM-UCFL2·D1 C-UCFL3·D1 CM-UCFL3·D1
Adjustable 2-Bolt Flange Units	UCFA2·	UCFA2·	UCFA2·D1
3-Bolt Flange Units	UCFB2·	UCFK2·	UCFH2·D1
Light 2-Bolt Flange Units	BLF2· ALF2·	BLFL·	ASFB2· AELFB2·
Compact 2-Bolt Flange Units	UFL0·	UFL0·	
Corrosion resistant series 4-Bolt Flange Units	UCSF2·H1S6	MUCF2	
Corrosion resistant series 2-Bolt Flange Units	UCSFL2·H1S6	MUCFL2·	
Stamped steel plate Flange	SBPF2· SAPF2· SBPFL2· SAPFL2·	BPF· BPFL·	ASPF2· AELPF2· ASPFL2· AELPFL2·