



Small Size Ball Valves

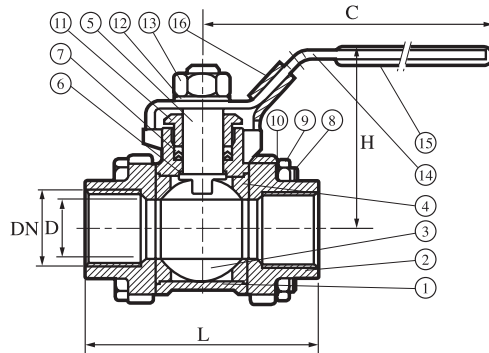
1000 / 2000 / 3000 WOG

Design Features

- Three-piece Body, Full Bore, Floating Ball.
- Blow-out Proof Stem, Low Emission
- Locking Device, on request.
- NACE MR0175

Specifications

- End to End: **DHV Standard**
- Thread End: **ANSI B2.1 NPT**
- Socket Weld End: **ANSI B16.11**



Material Specification

No.	Part	1000 / 2000 WOG		3000 WOG	
		Stainless Steel	Carbon Steel	Stainless Steel	Carbon Steel
1	Body	A351 CF8M	A216 WCB	A182 F316	A105
2	Cap	A351 CF8M	A216 WCB	A182 F316	A105
3	Ball	316	304	A182 F316	
4	Seat	15% R-PTFE		NYLON	
5	Stem	A276-316		A182 F316	
6	Thrust Washer	15% R-PTFE		15% R-PTFE	
7	Stem Packing	15% R-PTFE		15% R-PTFE	
8	Bolt	304 SS		A193 B8 / B8M	A193 B7 / B7M
9	Hex Nut	304 SS		A194 8 / 8M	A194 2H / 2HM
10	Bolt Washer	Stainless Steel		Stainless Steel	
11	Gland Nut	A276-304		A182 F316	
12	Stem Washer	A276-304		Stainless Steel	
13	Stem Nut	A276-304		A194 8 / 8M	A194 2H / 2HM
14	Handle	Stainless Steel		Stainless Steel	
15	Plastic Cover	Plastic		Plastic	
16	Lock Device	Stainless Steel		Stainless Steel	

Dimensions and weights

Size	WOG	DN	1/4"	3/8"	1/2"	3/4"	1"	1 1/4"	1 1/2"	2"	2 1/2"	3"	4"
D	1000 / 2000	in	0.46	0.5	0.59	0.79	1	1.26	1.5	2	2.56	3.15	3.94
		mm	11.6	12.7	15	20	25.4	32	38	50.8	65	80	100
	3000	in	-	-	0.51	0.75	0.91	1.25	1.38	1.81	-	-	-
		mm	-	-	13	19	23	32	35	46	-	-	-
L	1000 / 2000	in	2.56	2.56	2.6	3.27	3.74	4.37	5.12	5.94	7.28	8.35	10.63
		mm	65	65	66	83	95	111	130	151	185	212	270
	3000	in	-	-	3.62	4.37	5	5.24	5.98	6.77	-	-	-
		mm	-	-	92	111	127	133	152	172	-	-	-
H	1000 / 2000	in	1.65	1.65	1.93	2.05	2.44	2.6	3.03	3.35	5.47	5.90	6.81
		mm	42	42	49	52	62	66	77	85	139	150	173
	3000	in	-	-	2.95	3.03	3.62	3.82	4.13	4.33	-	-	-
		mm	-	-	75	77	92	97	105	110	-	-	-
C	1000 / 2000	in	3.86	3.86	4.53	4.53	5.63	5.63	7.01	7.01	9.84	9.84	9.84
		mm	98	98	115	115	143	143	178	178	250	250	250
	3000	in	-	-	4.84	6.3	6.3	7.68	7.68	9.84	-	-	-
		mm	-	-	123	160	160	195	195	250	-	-	-
Weights	1000 / 2000	lb	0.9	0.88	1.43	1.76	2.64	4.51	6.16	9.57	18.5	31.9	58.3
		kg	0.41	0.4	0.65	0.80	1.2	2.05	2.8	4.35	8.4	14.5	26.5
	3000	lb	-	-	3.89	5.8	10	16.52	20.02	24.23	-	-	-
		kg	-	-	1.77	2.63	4.54	7.5	9.09	11.00	-	-	-



Three Way Ball Valves

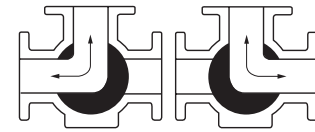
Class 150 / 300

Design Features

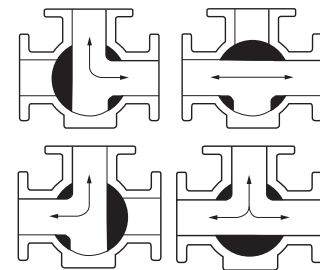
DHV Multi Port Three Way Ball Valves are designed for a large array of services and suitable for either switching or mixing application. Our design features allow quick and positive shutoff with just a quarter turn. DHV Three Way Ball Valves provide many features in standard L-Port or T-Port types. Each type offers many variable positions and flow patterns to meet your particular service needs.

Specifications

- Basic Design: **ANSI B16.34**
- Face to Face: **DHV Standard**
- End Flange: **ANSI B16.5**
- Test & Inspection: **API - 598**

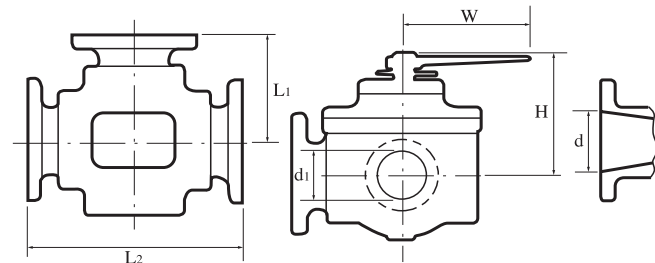


A. L-Type



B. T-Type

Material for main parts				
1	Body	WCB	CF8	CF8M
2	Ball	WCB / ENP	F304	F316
3	Seat	PTFE	PTFE	PTFE
4	Stem	13Cr	F304	F316
5	Packing	PTFE	PTFE	PTFE



Dimensions

Size		d		d1		L2		L1		H		W	
in	mm	in	mm	in	mm	in	mm	in	mm	in	mm	in	mm
1/2"	15	1/2"	15	1/2"	15	5.51	140	2.76	70	2.52	64	5.12	130
3/4"	20	3/4"	20	3/4"	20	6.50	165	3.25	83	3.31	84	6.30	160
1"	25	1"	25	1"	25	6.50	165	3.25	83	3.31	84	6.30	160
1 1/2"	40	1 1/2"	40	1 1/2"	40	9.84	250	4.92	125	5.98	152	19.68	500
2"	50	2"	50	2"	50	10.24	260	5.12	130	6.18	157	19.68	500
2 1/2"	65	2 1/2"	65	2 1/2"	65	12.60	320	6.30	160	7.20	183	31.50	800
3"	80	3"	80	3"	80	12.60	320	6.30	160	7.20	183	31.50	800
4"	100	4"	100	4"	100	14.57	370	7.28	185	7.68	195	31.50	800
5"	125	5"	125	5"	125	20.08	510	10.04	255	13.98	355	33.46	850
6"	150	6"	150	5"	125	20.08	510	10.04	255	13.98	355	33.46	850
8"	200	8"	200	6"	150	22.84	580	11.42	290	16.93	430	59.06	1500
10"	254	10"	254	8"	203	26.38	670	13.19	335	18.70	475	-	-
12"	300	12"	300	10"	254	28.35	720	14.17	360	21.65	550	-	-