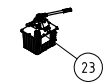
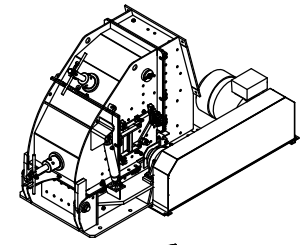
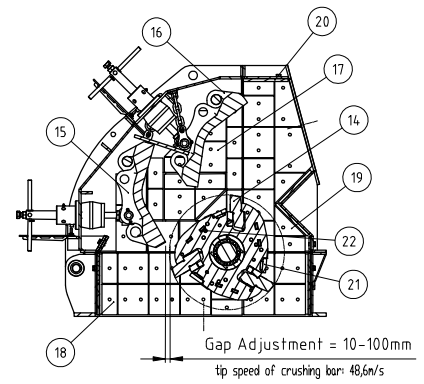
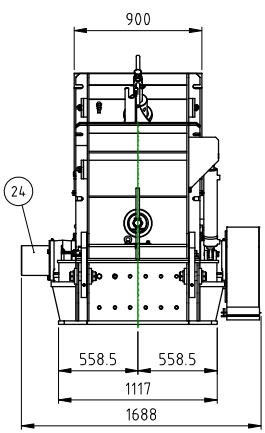
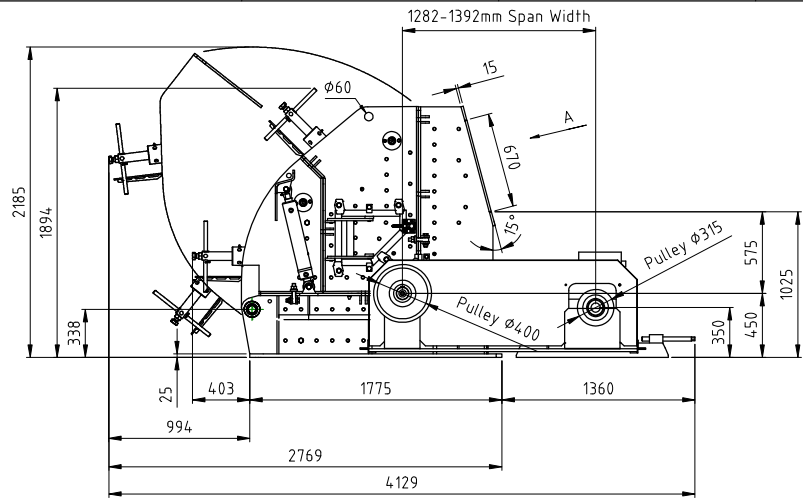


**ANNEXURE G**



**REFERENCE DRAWINGS & DOCUMENTS**

**TECHNICAL SPECIFICATION -**  
 1240420-DRB16-M003 /  
 ES-(XTJB)5,6-71-00-0016 /  
 TJB56-L2-OFF-U6-HDA-M-SPC-001

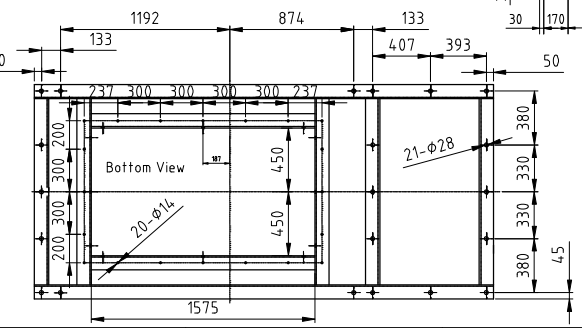
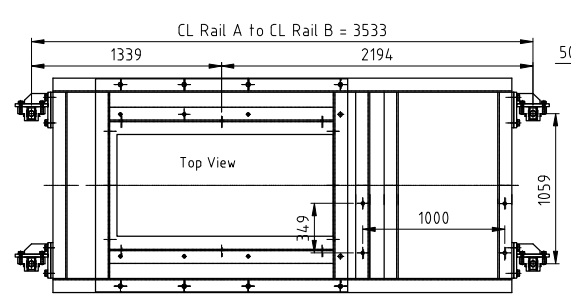
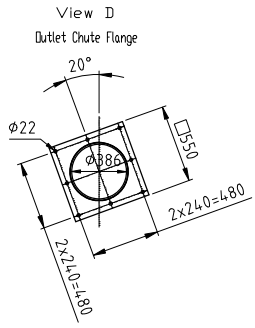
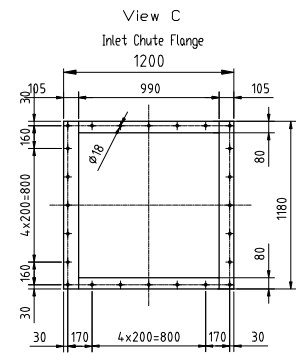
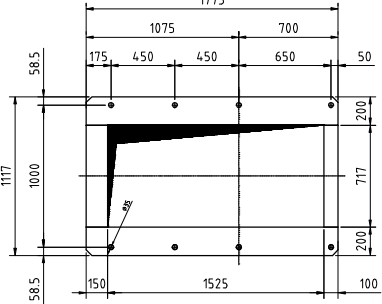
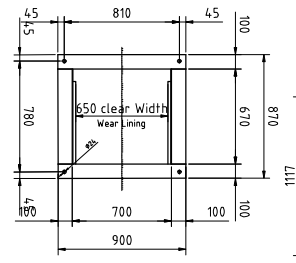
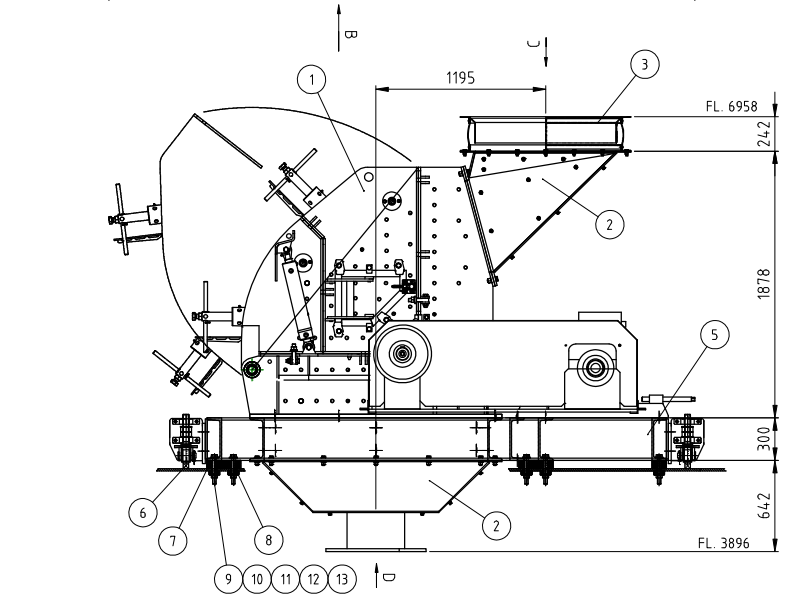
**P&ID - 1240420-DRB16-M004 /**  
 ES-(XTJB)5,6-71-00-0010 /  
 TJB56-L2-OFF-U6-HDA-M-PID-001

**COATING / PAINTING SYSTEM & PROCEDURE -**  
 1240420-DRB16-G013

Further information are stated in 1240420-DRB-M005 Equipment Bill of Material List.

24	Rotation Monitor	1
23	Special Tool - Handpump incl. Hose	1
22	Side Wear Plate	6
21	Wear Plate 5	3
20	Wear Plate 4	2
19	Wear Plate 3	10
18	Wear Plate 2	35
17	Wear Plate 1	58
16	Impact Plate 2	1
15	Impact Plate 1	1
14	Crushing Comp	3
13	M24 Nut	38
12	U24 Washer	38
11	Bushing 1" x 100mm	38
10	U26 Washer	38
9	M24x190 Bolt	38
8	Antivibrating 75x35 x 25mm	38
7	Antivibrating Pad 1000x100x58mm	11
6	Rail 45x40 x 3600mm	2
5	Removable Support Frame	1
4	Outlet Chute	1
3	Compensator	1
2	Inlet Chute	1
1	PB0806 Impact Crusher	1
Pos.	Description	Qty.

Total Weight = 6697kg



ISO-Methode E:	Kanten / Edges: DIN ISO 13715 H0.3	General tolerances machined parts: DIN EN ISO 2768-mK General tolerances welded parts: DIN EN ISO 13920-CG	Maßstab / Scale: 1:25	Blatt / Sheet: 1/1
	Drawn: 18.10.2018 YSU Checked: 18.10.2018 AEN Template:	Date: _____ Name: _____ Drawn: _____ Checked: _____ Schutzevermerk nach DIN 34 beachten Copyright reserved DIESE ZEICHNUNG DARF NUR IM CLYDE BERGEMANN CAD-SYSTEM GEÄNDERT WERDEN. THIS DRAWING IS TO BE CHANGED IN CLYDE BERGEMANN CAD-SYSTEM ONLY.	Benennung / Description: Bottom Ash Handling - BA Crusher Tanjung Jati B 5&6 - 50/60HDA05AJ001&002 Zeichnungs-Nr. / Drawing-No.: 1240420-DRB16-M008-G Rev-Nr. / Rev-No.: EDW-Nr. / EDW-Nr.:	Blatt / Sheet: 1 / 1 Masse / Mass: Format: A3