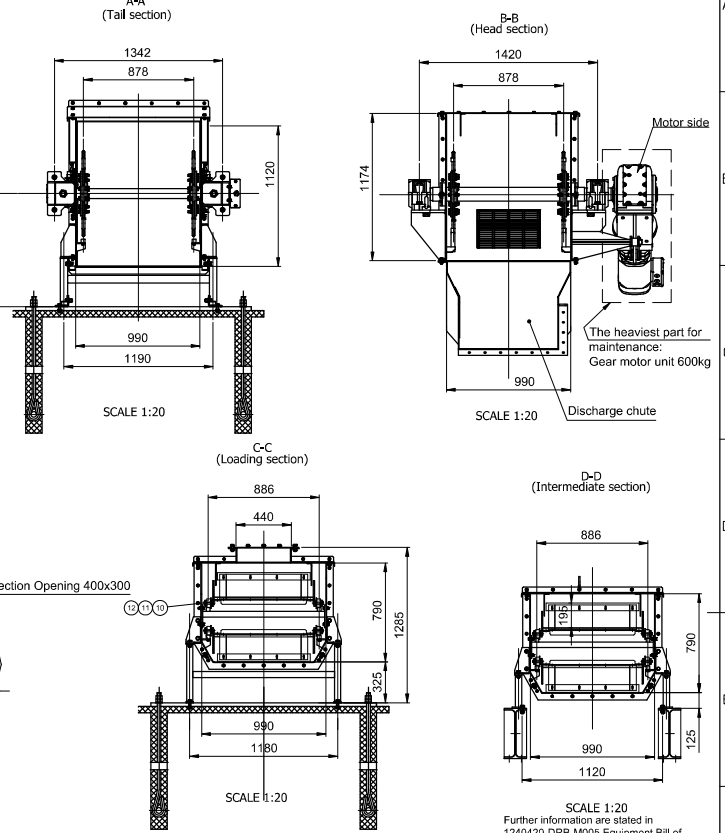
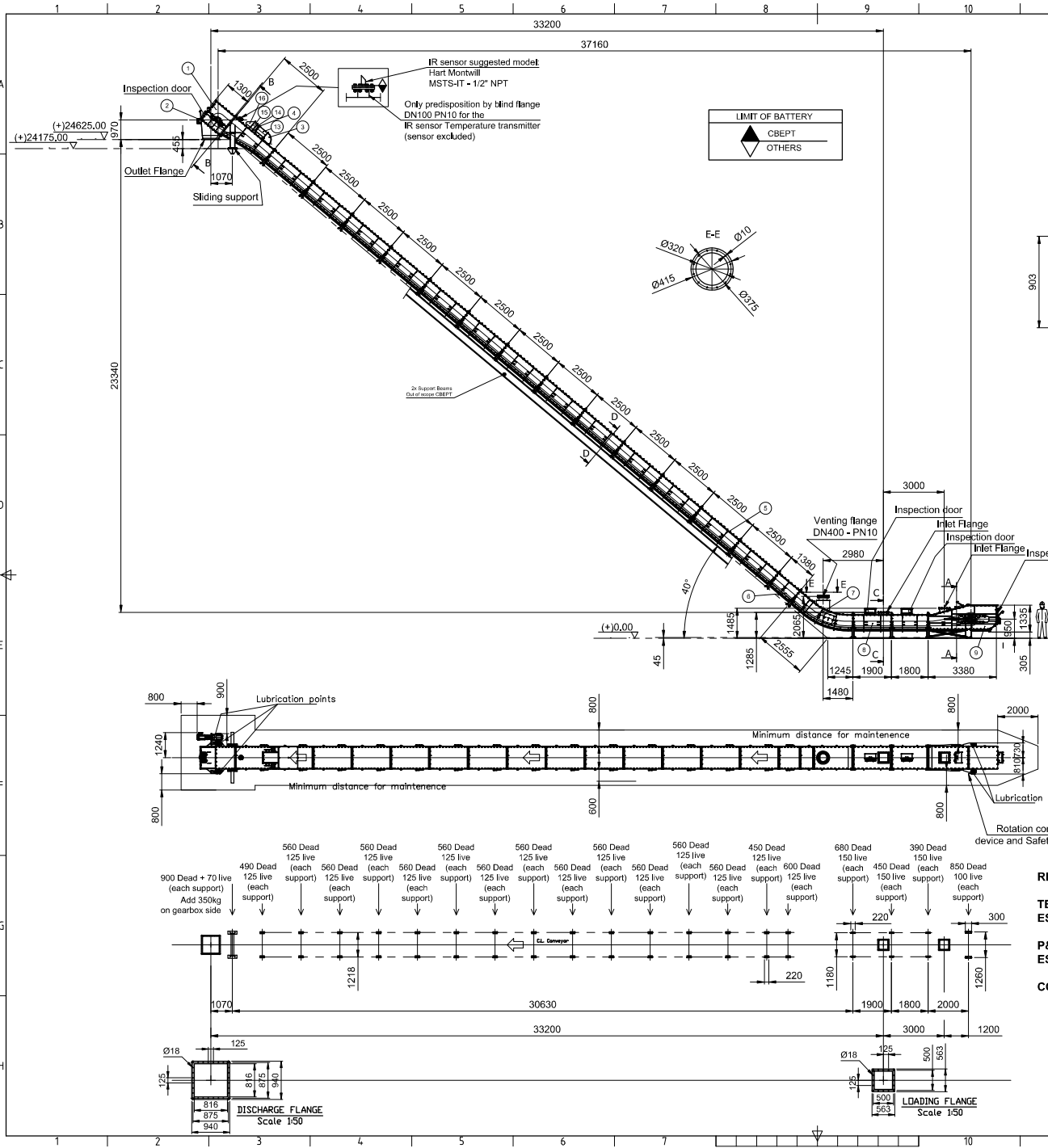


ANNEXURE H

NO	REV	DATE	DESCRIPTION	DESIGNER	CONTROLLER	APPROVED
3	26.03.19		Incorporating Buyer requirements	S. Purnomo	S. Purnomo	S. Purnomo
2	06.11.17		Added details	S. Purnomo	S. Purnomo	S. Purnomo
1						



Further information are stated in 1240420-DRB-M005 Equipment Bill of Material List.

NO	Description	Qty
16	Main Air Rain Cover	1
15	Main Air Non Return Damper	1
14	Main Air Inlet Adapter Duct	1
13	Main Air Inlet Extension Duct	1
12	Chain in m	114
11	Band Element High = 195mm	2
10	Band Element Low = 80mm	228
9	Tensioning Station	1
8	Horizontal Section	2
7	Radius Section	1
6	Incline Section Fitted	1
5	Yardie Section	13
4	Main Air Inlet Damper	1
3	Main Air Inlet Duct 90° Bend	1
2	Gear Drive Motor	1
1	Drive Station	1
	Part. Description	Only

PART LIST

Total Weight = 46470kg

REFERENCE DRAWINGS & DOCUMENTS

TECHNICAL SPECIFICATION - 1240420-DRB16-M003 / ES-(XTJB)5,6-71-00-0016 / TJB56-L2-OFF-U6-HDA-M-SFC-001

P&ID - 1240420-DRB16-M004 / ES-(XTJB)5,6-71-00-0010 / TJB56-L2-OFF-U6-HDA-M-PID-001

COATING / PAINTING SYSTEM & PROCEDURE - 1240420-DRB16-G013

<p>CLYDE BERGEMANN CLYDE BERGEMANN GMBH D - 46485 WESEL</p>	<p>Project: 1240420-DRB16-M008-F</p> <p>Checked: 22.09.2017</p> <p>Checked: 22.09.2017</p>	<p>Approved: 22.09.2017</p> <p>Checked: 22.09.2017</p>	<p>Scale: 1:100</p> <p>Revision: 03</p> <p>Project Name: BAH - BA Conveyor 2</p> <p>Location: Tanjung Jati B 5&6 - 50/60HDA06</p> <p>Part No: 1240420-DRB16-M008-F</p> <p>Sheet No: 1 / 1</p>
	<p>CLYDE BERGEMANN GMBH D - 46485 WESEL</p>		