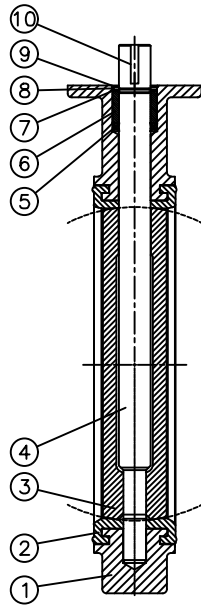
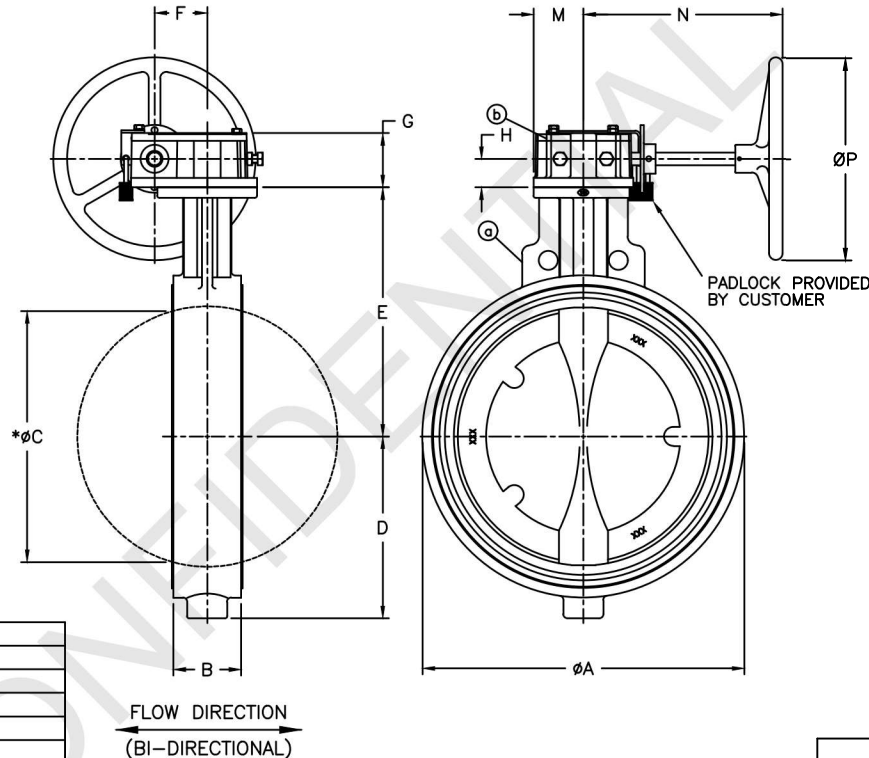


VALVE SIZE	A	B	C	D	E	F	G	H	M	N	P	FLANGE DATA				WEIGHT (KG)	QTY
												BCD	HOLES NO.	HOLES DIA.	DEPTH		
DN350	433	76	331	238	346	79	83	43	75	300	300	476.3	12	28.6	THRU.	52	13

NOTE:*DIM IS DISC CHORDAL DIMENSIONS AT VALVE FACE.



TAG NO.:
 DN350(12qty+1qty spare):
 00GNB39AA701;
 00GNB41AA701;
 00GNB39AA005;
 00GNB39AA004;
 00GNB39AA003;
 00GNB46AA001;
 00GNB47AA001;
 00GNB46AA003;
 00GNB47AA003;
 00GNB41AA003;
 00GNB41AA004;
 00GNB41AA005;



b	GEAR OPERATOR	—
a	VALVE	—
10	KEY	18-8 SS
9	RETAINING	304 SS
8	THRUST WASHER	BRASS OR CASING BRASS
7	SPLIT RING	BRASS OR CASING BRASS
6	BUSH	ACETAL
5	PACKING	BUNA-N
4	STEM	316SS(ASM A276 TYPE316)
3	DISC	DI(ASM A536 Gr. 65-45-12)/Halar
2	SEAT	EPDM
1	BODY	DI(ASM A536 Gr. 65-45-12)
ITEM	NAME	MATERIAL

FLOW DIRECTION
(BI-DIRECTIONAL)

SPECIFICATION	
DESIGN STD.	API 609 CATEGORY A
TEST STD.	MSS SP61
PRESSURE RATING	150 PSI[10 BAR]
SEAT TEST(HYDRAULIC)	165 PSI[11.4 BAR]
SHELL TEST(HYDRAULIC)	375 PSI[25.9 BAR]

CUSTOMER NAME	SALES ORDER NO.	708623
CUSTOMER PROJECT	FLANGE DRILLING	ASME B16.5 CLASS 150
CUSTOMER PROJECT NO.	PRESSURE RATING	175 PSI
CUSTOMER P.O. NO.	CERTIFIED CORRECT BY	BCCH Rock Gud 03/29/2018

THE INFORMATION CONTAINED HEREIN SHALL NOT BE COPIED, TRANSFERRED, CONVEYED OR DISPLAYED IN ANY MANNER THAT WOULD VIOLATE ITS PROPRIETARY NATURE WITHOUT THE EXPRESS WRITTEN PERMISSION OF BRAY INTERNATIONAL, INC.

SERIES 30 DN350 BUTTERFLY VALVE
 WITH SERIES 04 GEAR OPERATOR WITH PADLOCK DEVICE
 TRIM 3MF

Bray CONTROLS
 A Division of BRAY INTERNATIONAL, Inc.

ERN	PRIMARY UNITS	SHEET	DIVISION
ER-181984	SI	1 OF 1	BCCH
RELEASED	BCCH	DRAWING NO.	THIRD ANGLE
03/29/2018	GA-25676	REV.	1

Reproduction of part or all the contents of the document is prohibited without written permission from PT. Bhumi Japara Service