

Main structure and features

NP48, NP72, NP80B, NP96 series square instrument is electronic magnetic type, adopting rejecting structure. The instrument consists of measuring mechanism, and indication device, with fire-proof type cover, ABS constructure plastic, safe measuring terminal, high-efficient wiring mode. Besides, it also adopts printed dia plate and crystal glass cover, making it overallly aesthetic, generous and extensive outlook

Main technical parameter

Item	Specification	Measuring Range	Accuracy Grade
DC Volt meter	NP 48-V	1V~750V(direct connect), 450V~450kV/1mA or 5mA (via valued resistor)	Class 1.5
	NP 72-V		
	NP 80B-V		
	NP 96-V		
DC Current meter	NP 48-A	50 μ A~20A(direct connect) 20A~10kA/60mV /75mV (via current transformer)	Class 1.5
	NP 72-A		
	NP 80B-A		
	NP 96-A		
AC Volt meter	NP 48-V	15V~600V(direct connect) , 450V~450kV/100V (via voltage transformer)	Class 1.5
	NP 72-V		
	NP 80B-V		
	NP 96-V		
AC Current meter	NP 48-A	1A~100A direct connect) 5A~10kA/5A or 1A	Class 1.5
	NP 72-A		
	NP 80B-A		
	NP 96-A		
Frequency meter	NP 48-Hz	45~55Hz,45~65Hz,55~65Hz, Rated voltage 100V 220V 380V	Class 1.0
	NP 72-Hz		
	NP 80B-Hz		
	NP 96-Hz		
Power meter	NP 48-W/var	100V,220V,380V(direct connect) 380V~380kV/100V (via voltage transformer)	Class 2.5
	NP 72-W/var		
	NP 80B-W/var		
	NP 96-W/var		
Power factor meter	NP 48-cos ϕ	0.5C~1~0.5L 100V 5A,220V 5A,380V 5A	Class 2.5
	NP 72-cos ϕ		
	NP 80B-cos ϕ		
	NP 96-cos ϕ		

Note: NP48 is Class 2.5, while for NP72, NP80B and NP96 current meter: above 30A: Class 2.5; below 30A and *5A: Class 1.5

NP48, NP72, NP80B, NP96 Series Pointer analog meter

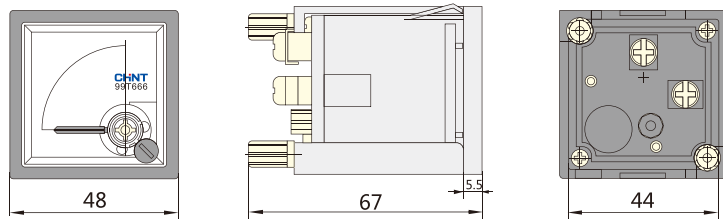


NP48, NP72,
NP80B, NP96 Series
Pointer analog meter



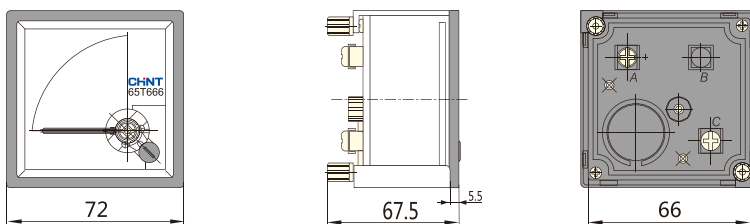
NP48 series outline size diagram

unit : mm



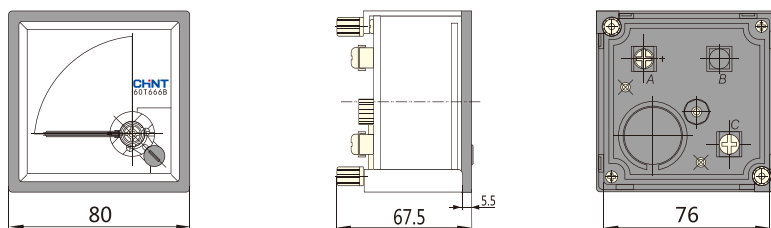
NP72 series outline size diagram

unit : mm



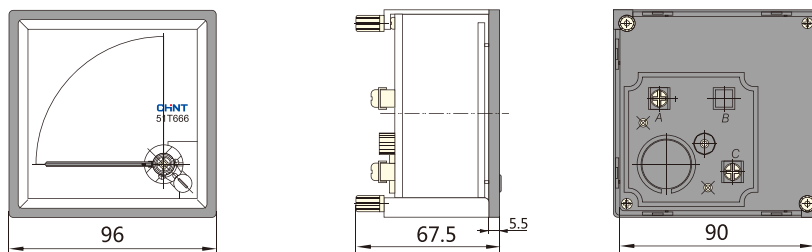
NP80B series outline size diagram

unit : mm



NP96 series outline size diagram

unit : mm

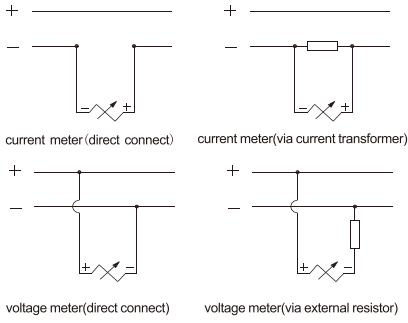


Model No.	Outline size	Hole size (L×H)
NP 48 NP 48-DC NP 48-W/var /Hz/cosφ	48×67×48	45×45
NP72 NP72-DC NP72-Hz/cosφ	72×67.5×72	68×68
NP80B NP80B-DC NP80B-W/var /Hz/cosφ	80×67.5×80	76×76
NP96 NP96-DC NP96-W/var/cosφ	96×67.5×96	92×92

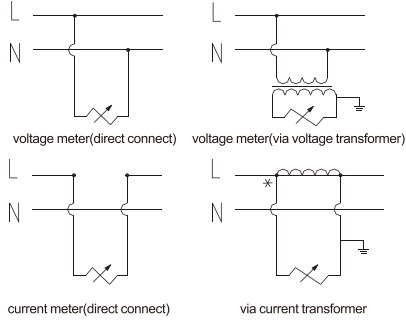
Note: The outline size for NP72-W/var: 72×72×108.5

Wiring mode

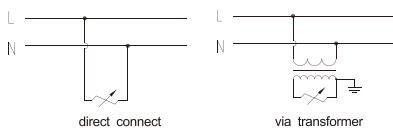
◆ (NP48, NP72, NP80B, NP96)-A.V wiring diagram



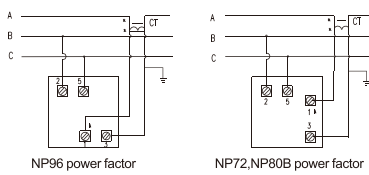
◆ (NP48, NP72, NP80B, NP96)-A.V wiring diagram



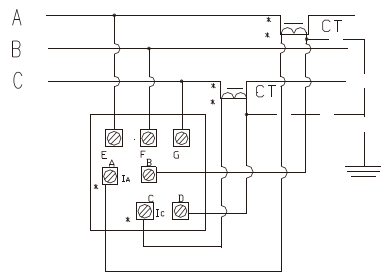
◆ (NP48, NP72, NP80B, NP96)-Hz wiring diagram



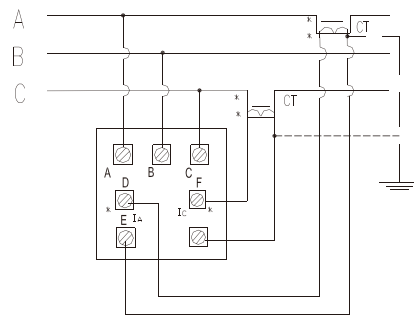
◆ (NP72, NP80B, NP96) power factor wiring diagram



◆ NP96 three phase power meter wiring diagram



◆ NP72, NP80B three phase power meter wiring diagram



NP48, NP72,
NP80B, NP96 Series
Pointer analog meter



42,6 Series Pointer analog meter



Main structure and features

42L6,6L2 series instrument consists of measuring circuit, measuring mechanism and indicating device, adopting magneto electric type inner magnetic mechanism with fireproof cover, printed dial plate and crystal glass cover, which makes it aesthetic, generous and extensive outlook.

Main technical parameter

Input mode	Type
AC	Voltage meter, current meter, active power meter, reactive power meter, frequency meter, power factor meter
DC	Voltage meter, current meter

Item	Specification	Measuring Range	Accuracy Grade
DC Volt meter	42C3-V 6C2-V	1V~750V(direct connect) 450V~450kV/1mA or 5mA	Class 1.5
DC Current meter	42C3-A 6C2-A	50μA~20A(direct) 20A~10kA/75mV or 60mV (via external current transformer)	Class 1.5
AC Volt meter	42L6-V 6L2-V	15V~600V (direct connect) , 380V~450kV /100V (via voltage transformer)	Class 1.5
AC Current meter	42L6-A 6L2-A	0.1A~50A direct connect) 5A~10kA/5A or 1A	Class 1.5
Frequency meter	42L6-Hz 6L2-Hz	45~55Hz,45~65Hz,55~65Hz, Rated voltage 100V 220V 380V	Class 1.0
Power feter	42L6-W/var 6L2-W/var	100V,220V,380V,380V~380kV/100V 5A, 5A~10kA/5A	Class 2.5
Power factor Meter	42L6-cosφ 6L2-cosφ	0.5C~1~0.5L 100V/5A, 220V/5A, 380V/5A	Class 2.5

42L6,42C3 outline size diagram

unit : mm

