

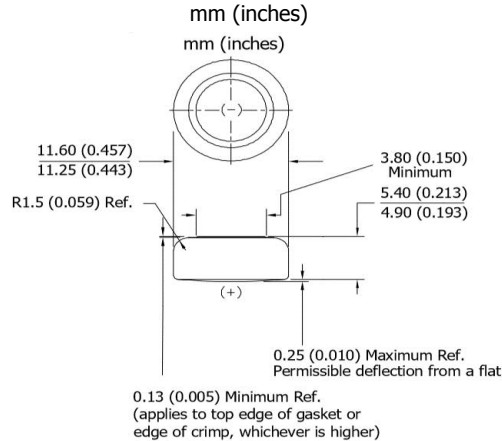
ENERGIZER A76

ZEROMERCURY®

MINIATURE ALKALINE



Industry Standard Dimensions



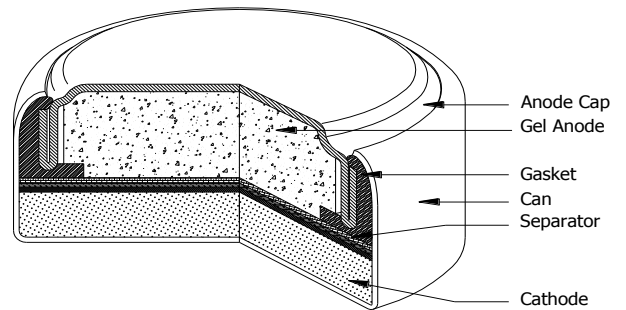
DESIGNED FOR ELECTRONIC APPLICATIONS
WHICH MAY REQUIRE HIGH RATE PULSES

Specifications

Chemical System:	Manganese Dioxide (MnO ₂)
Designation:	ANSI/NEDA 1166A, IEC-LR44
Nominal Voltage:	1.5 Volts
Typical Capacity:	175 mAh* (to 0.9 volts)
Capacity Test:	6.8K ohm continuous drain at 21°C (70°F)
Typical Weight:	1.85 grams (0.07 oz.)
Typical Volume:	0.57 cubic centimeters (0.035 cubic inch)
Impedance (40 Hz):	5 to 15 ohms
Max Bulge:	This battery will bulge as it is discharged, but will not exceed the maximum height shown on the battery drawing.

* Varies according to the applied load, temperature, and cutoff voltage.

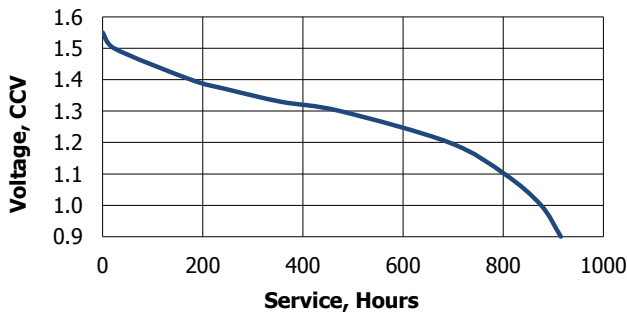
Cross Section



Typical Discharge Characteristics

Typical Performance at 21°C (70°F)

Load: 6.8K ohms - Continuous
Typical Drain @ 1.30V: 0.191 mA
Hours to 0.9V: 915



Depth of Discharge

Typical Performance at 21°C (70°F)

Load: 6.8K ohms - Continuous
Typical Drain @ 1.30V: 0.191 mA
Hours to 0.9V: 915

(as percent of capacity)

Temperature	0%	40%	80%
21°C (70°F)	1.55V	1.33V	1.20V

Important Notice

This data sheet contains typical information specific to products manufactured at the time of its publication.
Contents herein do not constitute a warranty and are for reference only.