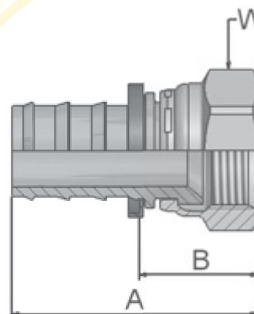


**06/68 - Female - JIC 37° / SAE 45° Dual Flare - Swivel - Straight**

ISO12151-5-SWS - DKJ



Approved fitting series for hose types:



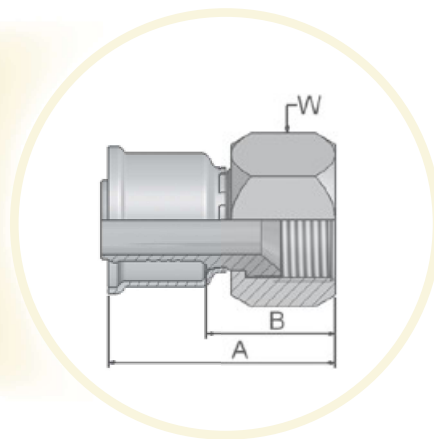
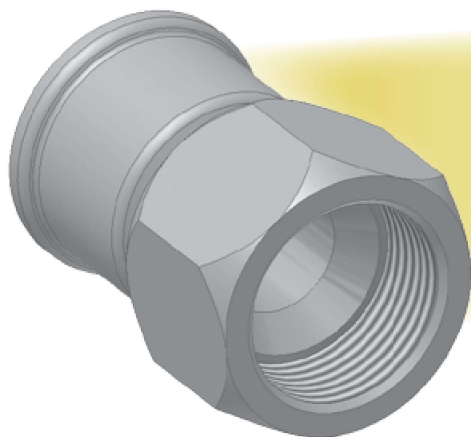
XXXX-XX-XX Part Number 	Hose I.D.				Thread UNF	A	B	W
	DN	Inch	Size	mm				
30682-4-4	6	1/4	-4	6,3	7/16x20	39	19	9/16
30682-4-4-SM	6	1/4	-4	6,3	7/16x20	40	21	14
30682-4-4B	6	1/4	-4	6,3	7/16x20	39	19	9/16
30682-4-4C	6	1/4	-4	6,3	7/16x20	39	19	9/16
30682-5-4	6	1/4	-4	6,3	1/2x20	40	21	5/8
30682-5-4B	6	1/4	-4	6,3	1/2x20	40	21	5/8
36882-5-4C-SM	6	1/4	-4	6,3	1/2x20	40	21	17
30682-6-4B	6	1/4	-4	6,3	9/16x18	42	22	11/16
30682-5-6B	10	3/8	-6	9,5	1/2x20	44	21	5/8
30682-6-6	10	3/8	-6	9,5	9/16x18	46	22	11/16
30682-6-6-SM	10	3/8	-6	9,5	9/16x18	45	22	19
30682-6-6B-SM	10	3/8	-6	9,5	9/16x18	45	22	19
30682-6-6C	10	3/8	-6	9,5	9/16x18	46	22	11/16
30682-6-6C-SM	10	3/8	-6	9,5	9/16x18	45	22	19
30682-8-6B	10	3/8	-6	9,5	3/4x16	47	24	7/8
36882-8-6-SM	10	3/8	-6	9,5	3/4x16	48	25	22
36882-8-6C-SM	10	3/8	-6	9,5	3/4x16	48	25	22
30682-8-8	12	1/2	-8	12,7	3/4x16	51	25	7/8
30682-8-8B	12	1/2	-8	12,7	3/4x16	51	25	7/8
30682-10-8B	12	1/2	-8	12,7	7/8x14	52	25	1
30682-10-8-SM	12	1/2	-8	12,7	7/8x14	65	28	27
30682-10-10	6	5/8	-10	15,9	7/8x14	52	25	1
30682-10-10-SM	16	5/8	-10	15,9	7/8x14	65	28	27
30682-10-10B	16	5/8	-10	15,9	7/8x14	62	25	1
36882-10-10C-SM	16	5/8	-10	15,9	7/8x14	65	28	27
30682-12-12	20	3/4	-12	19,1	1-1/16x12	67	30	1-1/4
30682-12-12-SM	20	3/4	-12	19,1	1-1/16x12	67	30	32
30682-12-12B	20	3/4	-12	19,1	1-1/16x12	67	30	1-1/4
30682-12-12B-SM	20	3/4	-12	19,1	1-1/16x12	67	30	32
30682-12-12C	20	3/4	-12	19,1	1-1/16x12	67	30	1-1/4
30682-12-12C-SM	20	3/4	-12	19,1	1-1/16x12	67	30	32
30682-16-16-SM	25	1	-16	25,4	1-5/16x12	70	33	41
30682-16-16C-SM	25	1	-16	25,4	1-5/16x12	70	33	41

Material: Steel  
chromium(VI)-  
free plated  
C:  
Material:  
Stainless Steel  
SM:  
Metric Hexagon

Information about standard products or non-standard products can be found in the current price list.  
Dimensions shown may be changed at any time without prior notice.


**06/68 - Female - JIC 37° / SAE 45° Dual Flare - Swivel - Straight**

ISO12151-5-SWS - DKJ



Approved fitting series for hose types:

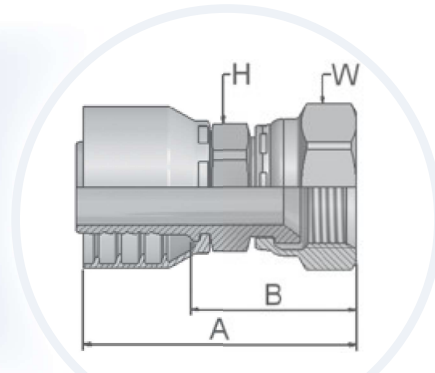
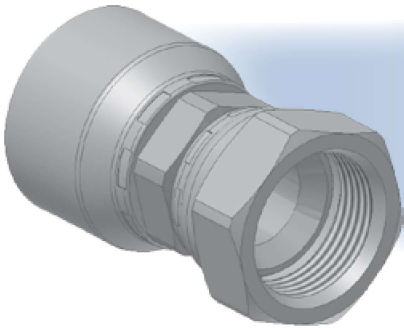


XXXX-XX-XX Part Number  26	Hose I.D.			Thread UNF	Tube size	A	B	W
	Inch	Size	mm					
16826-4-4-SM	3/16	-4	5,0	7/16x20	1/4	43	24	14
16826-4-4	3/16	-4	5,0	7/16x20	1/4	42	20	9/16
16826-4-5	1/4	-5	6,3	7/16x20	1/4	48	26	9/16
16826-5-5-SM	1/4	-5	6,3	1/2x20	5/16	44	23	17
16826-5-5-BA	1/4	-5	6,3	1/2x20	5/16	45	23	5/8
10626-6-6-SM	5/16	-6	8,0	9/16x18	3/8	45	24	19
10626-6-6	5/16	-6	8,0	9/16x18	3/8	45	23	11/16
16826-8-8-SM	13/32	-8	10,0	3/4x16	1/2	48	27	22
10826-8-8	13/32	-8	10,0	3/4x16	1/2	49	27	7/8
16826-8-8BS	13/32	-8	10,0	3/4x16	1/2	49	27	7/8
16826-8-10	1/2	-10	12,5	3/4x16	1/2	60	36	7/8
16826-10-10-SM	1/2	-10	12,5	7/8x14	5/8	41	19	27
16826-10-10-BA	1/2	-10	12,5	7/8x14	5/8	55	31	1
16826-10-12-SM	5/8	-12	16,0	7/8x14	5/8	61	33	27
16826-10-12	5/8	-12	16,0	7/8x14	5/8	61	37	1
10626-12-12-SM	5/8	-12	16,0	1-1/16x12	3/4	56	34	32
10626-12-12	5/8	-12	16,0	1-1/16x12	3/4	58	34	1-1/4
10626-16-16-SM	7/8	-16	22,0	1-5/16x12	1	62	36	41
10626-16-16	7/8	-16	22,0	1-5/16x12	1	64	38	1-1/2
10626-20-20-SM	1-1/8	-20	29,0	1-5/8x12	1-1/4	67	40	50
10626-20-24-SM	1-3/8	-24	35,0	1-5/8x12	1-1/4	80	52	50
10626-24-24-SM	1-3/8	-24	35,0	1-7/8x12	1-1/2	72	44	60
10626-32-32	1-13/16	-32	46,0	2-1/2x12	2	84	52	2-7/8

Material: steel chromium(VI) free plated  
 BA: Nipple: Brass, Nut and Shell: Steel  
 BS: Nipple and Nut: Brass, Shell: Steel  
 SM: Metric Hexagon

**06/68 - Female - JIC 37° / SAE 45° Dual Flare - Swivel - Straight**

ISO12151-5-SWS - DKJ



Approved fitting series for hose types:



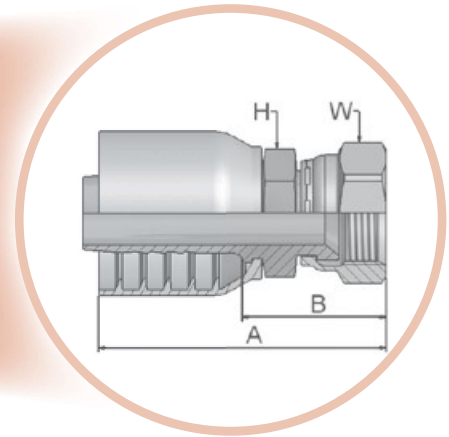
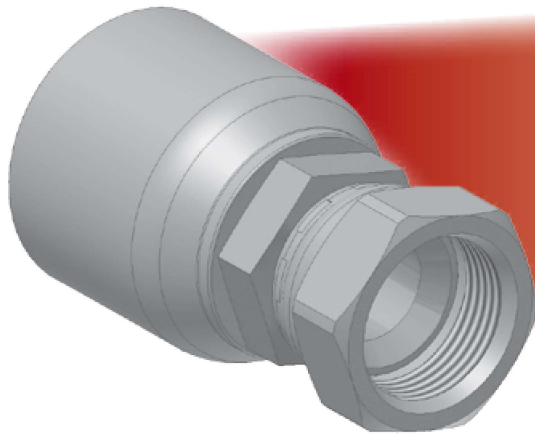
XXXX-XX-XX Part Number		Hose I.D.				Thread UNF	A	B	H	W
46	48	DN	Inch	Size	mm		mm	mm	mm	mm
16846-4-4	16848-4-4	6	1/4	-4	6,3	7/16x20	52	29	14	17
16846-5-4	16848-5-4	6	1/4	-4	6,3	1/2x20	53	30	14	17
10646-6-4	10648-6-4	6	1/4	-4	6,3	9/16x18	55	31	14	19
16846-5-5	16848-5-5	8	5/16	-5	7,9	1/2x20	54	30	14	17
10646-6-5	10648-6-5	8	5/16	-5	7,9	9/16x18	56	32	17	19
16846-8-5	16848-8-5	8	5/16	-5	7,9	3/4x16	57	34	17	22
16846-4-6	16848-4-6	10	3/8	-6	9,5	7/16x20	50	27	14	17
16846-5-6	16848-5-6	10	3/8	-6	9,5	1/2x20	52	29	14	17
10646-6-6	10648-6-6	10	3/8	-6	9,5	9/16x18	52	30	17	19
16846-8-6	16848-8-6	10	3/8	-6	9,5	3/4x16	56	33	17	22
16846-10-6	16848-10-6	10	3/8	-6	9,5	7/8x14	59	36	22	27
10646-6-8	10648-6-8	12	1/2	-8	12,7	9/16x18	46	22	22	19
16846-8-8	16848-8-8	12	1/2	-8	12,7	3/4x16	56	32	22	22
16846-10-8	16848-10-8	12	1/2	-8	12,7	7/8x14	62	38	22	27
10646-12-8	10648-12-8	12	1/2	-8	12,7	1-1/16x12	62	38	27	32
16846-8-10	16848-8-10	16	5/8	-10	15,9	3/4x16	57	32	22	22
16846-10-10	16848-10-10	16	5/8	-10	15,9	7/8x14	60	35	22	27
10646-12-10	10648-12-10	16	5/8	-10	15,9	1-1/16x12	64	39	27	32
16846-8-12	16848-8-12	20	3/4	-12	19,1	3/4x16	58	32	24	22
16846-10-12	16848-10-12	20	3/4	-12	19,1	7/8x14	61	35	24	27
10646-12-12	10648-12-12	20	3/4	-12	19,1	1-1/16x12	67	41	27	32
10646-14-12	10648-14-12	20	3/4	-12	19,1	1-3/16x12	68	42	30	36
10646-16-12	10648-16-12	20	3/4	-12	19,1	1-5/16x12	71	45	32	41
10646-12-16	10648-12-16	25	1	-16	25,4	1-1/16x12	74	44	32	32
10646-16-16	10648-16-16	25	1	-16	25,4	1-5/16x12	76	46	32	41
10646-20-16	10648-20-16	25	1	-16	25,4	1-5/8x12	80	50	41	50
10646-16-20		32	1-1/4	-20	31,8	1-5/16x12	87	49	41	41
	10648-16-20	32	1-1/4	-20	31,8	1-5/16x12	97	50	46	41
10646-20-20		32	1-1/4	-20	31,8	1-5/8x12	89	51	46	50
	10648-20-20	32	1-1/4	-20	31,8	1-5/8x12	100	53	46	50
	10648-24-20°	32	1-1/4	-20	31,8	1-7/8x12	105	58	55	60
	10648-24-24	40	1-1/2	-24	38,1	1-7/8x12	98	60	55	60
	10648-32-32	50	2	-32	50,8	2-1/2x12	115	72	65	75

Information about standard products or non-standard products can be found in the current price list. Dimensions shown may be changed at any time without prior notice.

°Assembly only with Parkrimp 2 machine  
Material: steel chromium(VI) free plated





**06/68 – Female – JIC 37° / SAE 45° Dual Flare – Swivel – Straight**

ISO12151-5-SWS – DKJ



Approved fitting series for hose types:



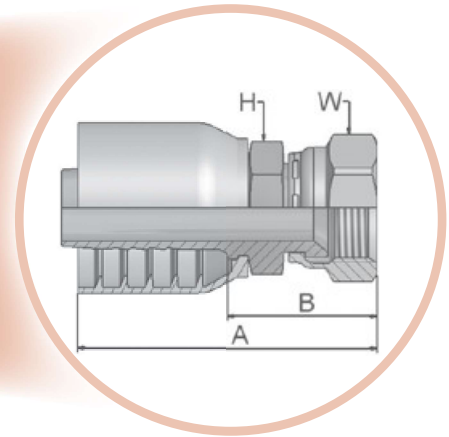
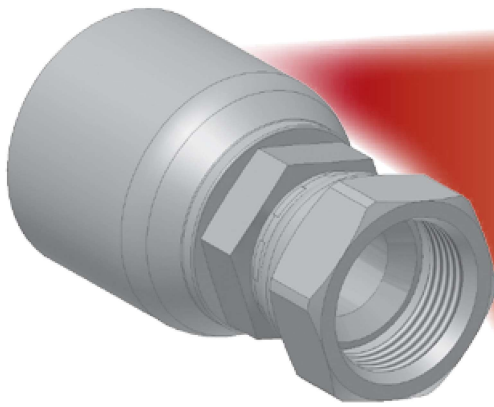
XXXX-XX-XX Part Number 	 Hose I.D.				 Thread UNF	A	B	E	 W
	DN	Inch	Size	mm					
10670-6-6-SM	10	3/8	-6	9,5	9/16x18	58	29	17	19
10670-8-6-SM*	10	3/8	-6	9,5	3/4x16	61	32	19	22
10670-10-6-SM*	10	3/8	-6	9,5	7/8x14	51	22	22	27
10670-8-8-SM*	12	1/2	-8	12,7	3/4x16	56	21	22	22
10670-10-8-SM*	12	1/2	-8	12,7	7/8x14	70	35	22	27
10670-12-8-SM	12	1/2	-8	12,7	1-1/16x12	56	21	27	32
10670-8-10-SM*	16	5/8	-10	15,9	3/4x16	73	36	24	22
16870-10-10-SM*	16	5/8	-10	15,9	7/8x14	75	35	24	27
10670-12-10-SM	16	5/8	-10	15,9	1-1/16x12	78	41	27	32
10670-12-12-SM	20	3/4	-12	19,1	1-1/16x12	80	41	27	32
10670-14-12-SM	20	3/4	-12	19,1	1-3/16x12	81	42	32	36
10670-16-12-SM	20	3/4	-12	19,1	1-5/16x12	84	45	32	41
10670-12-16-SM	25	1	-16	25,4	1-1/16x12	89	44	36	32
10670-16-16-SM	25	1	-16	25,4	1-5/16x12	92	47	36	41
10670-20-16-SM	25	1	-16	25,4	1-5/8x12	81	36	41	50
10670-16-20-SM	32	1-1/4	-20	31,8	1-5/16x12	97	50	46	41
10670-20-20-SM	32	1-1/4	-20	31,8	1-5/8x12	83	37	46	50
10670-24-24-SM	40	1-1/2	-24	38,1	1-7/8x12	101	41	50	60

\* These fittings contain a dual seat that accepts both JIC (37°) and SAE (45°) male configurations. The other sizes accept the JIC (37°) male configurations only.

Material: steel chromium(VI) free plated  
SM: Metric Hexagon






**06/68 - Female - JIC 37° / SAE 45° Dual Flare - Swivel - Straight**

ISO12151-5-SWS - DKJ



Approved fitting series for hose types:

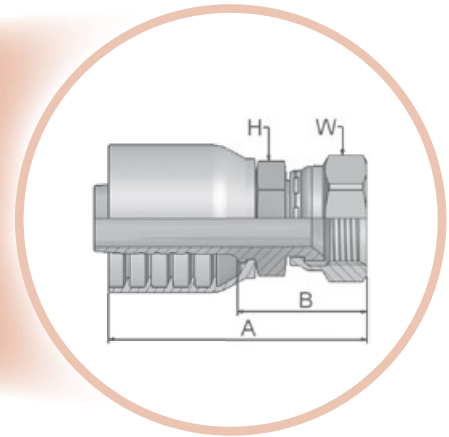
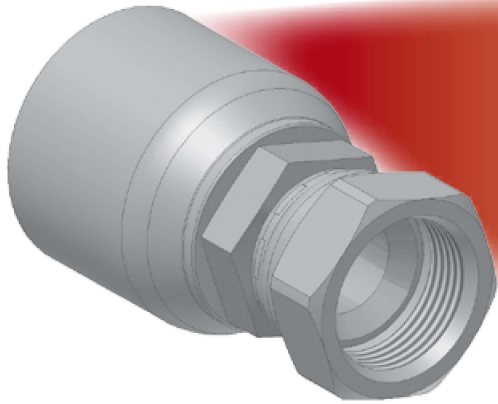


XXXX-XX-XX Part Number 	 Hose I.D.				 Thread UNF	A	B	 H	 W
	DN	Inch	Size	mm					
10671-6-6-SM	10	3/8	-6	9,5	9/16x18	58	29	17	19
10671-8-6-SM	10	3/8	-6	9,5	3/4x16	61	32	19	22
10671-8-8-SM	12	1/2	-8	12,7	3/4x16	67	32	22	22
10671-10-8-SM*	12	1/2	-8	12,7	7/8x14	70	35	22	27
10671-8-10-SM	16	5/8	-10	15,9	3/4x16	73	36	24	22
16871-10-10-SM	16	5/8	-10	15,9	7/8x14	75	35	24	27
10671-12-10-SM	16	5/8	-10	15,9	1-1/16x12	78	41	27	32
10671-10-12-SM	20	3/4	-12	19,1	7/8x14	74	35	27	27
10671-12-12-SM	20	3/4	-12	19,1	1-1/16x12	80	41	27	32
10671-14-12-SM	20	3/4	-12	19,1	1-3/16x12	81	42	32	36
10671-16-12-SM	20	3/4	-12	19,1	1-5/16x12	84	45	32	41
10671-12-16-SM	25	1	-16	25,4	1-1/16x12	89	44	36	32
10671-16-16-SM	25	1	-16	25,4	1-5/16x12	92	47	36	41
10671-20-16	25	1	-16	25,4	1-5/8x12	98	53	1-7/8	2"
10671-16-20-SM	32	1-1/4	-20	31,8	1-5/16x12	97	50	46	41
10671-20-20-SM	32	1-1/4	-20	31,8	1-5/8x12	100	53	46	50
10671-24-20-SM	32	1-1/4	-20	31,8	1-7/8x12	105	58	55	60
10671-24-24-SM	40	1-1/2	-24	38,1	1-7/8x12	119	64	55	60
10671-32-32	50	2	-32	50,8	2-1/2x12	136	81	2-1/2	2-7/8

\* These fittings contain a dual seat that accepts both JIC (37°) and SAE (45°) male configurations. The other sizes accept the JIC (37°) male configurations only.  
Material: steel chromium(VI) free plated  
SM: Metric Hexagon






**06 – Female JIC 37° Swivel – Straight**

ISO12151-5-SWS – DKJ



Approved fitting series for hose types:

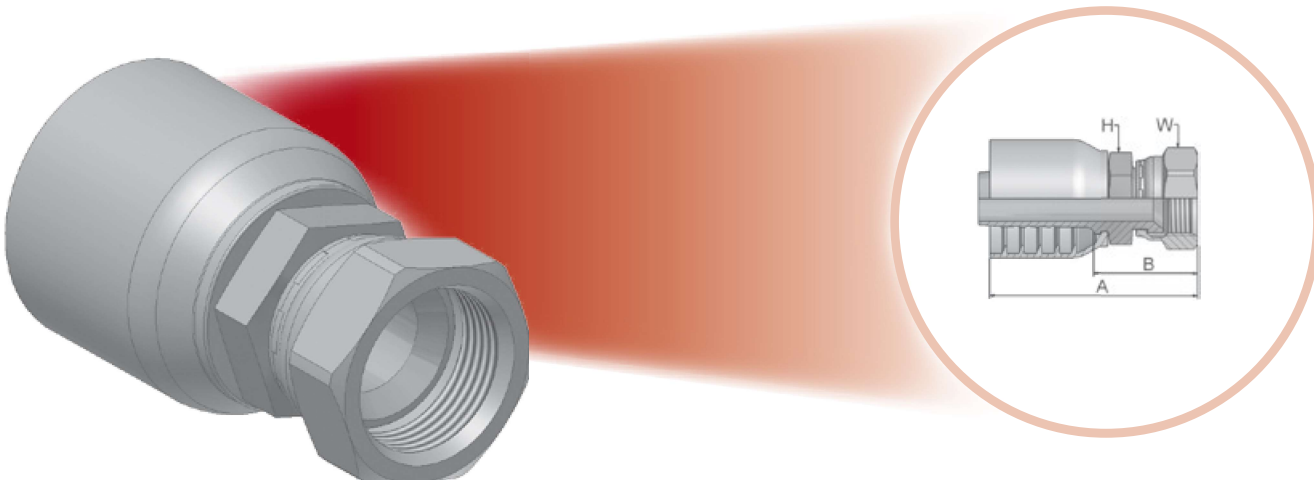


XXXX-XX-XX Part Number 	 Hose I.D.				 Thread UNF	A	B	 H	 W
	DN	Inch	Size	mm		mm	mm	mm / Inch	mm / Inch
10673-12-12-SM	20	3/4	-12	19,1	1-1/16x12	93	45	30	32
10673-16-12	20	3/4	-12	19,1	1-5/16x12	95	47	1-3/8	1-1/2
10673-16-16-SM	25	1	-16	25,4	1-5/16x12	103	52	36	41
10673-20-16	25	1	-16	25,4	1-5/8x12	108	60	1-3/4	2"
10673-20-20-SM	32	1-1/4	-20	31,8	1-5/8x12	125	61	46	55
10673-24-20-SM	32	1-1/4	-20	31,8	1-7/8x12	130	66	50	60
10673-24-24-SM	40	1-1/2	-24	38,1	1-7/8x12	128	66	50	60
10673-32-32	50	2	-32	50,8	2-1/2x12	150	81	2-1/2	2-7/8

Material: steel chromium(VI) free plated  
SM: Metric Hexagon


**06 - Female JIC 37° Swivel - Straight**

ISO12151-5-SWS - DKJ



Approved fitting series for hose types:



XXXX-XX-XX Part Number 	Hose I.D.				Thread UNF	A mm	B mm	H Inch	W Inch
	DN	Inch	Size	mm					
106S6-32-32	50	2	-32	50,8	2-1/2x12	166	78	2-1/2	2-7/8

Material: steel chromium(VI) free plated