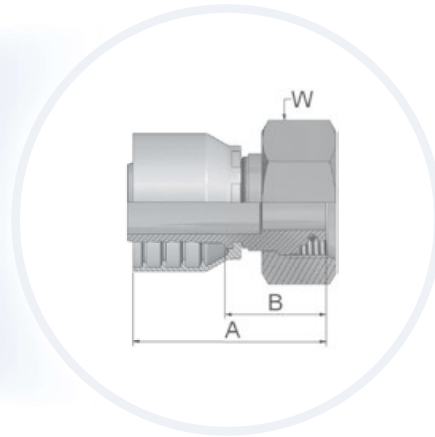
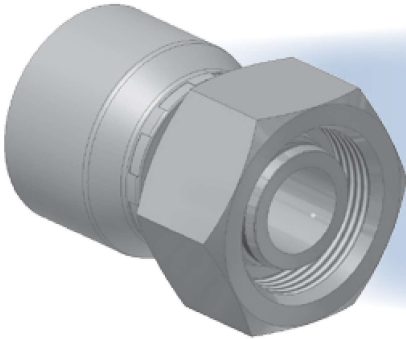





C9 – Female Metric 24° – Heavy Series with O-ring – Swivel – Straight

ISO 12151-2-SWS-S – DKOS



Approved fitting series for hose types:



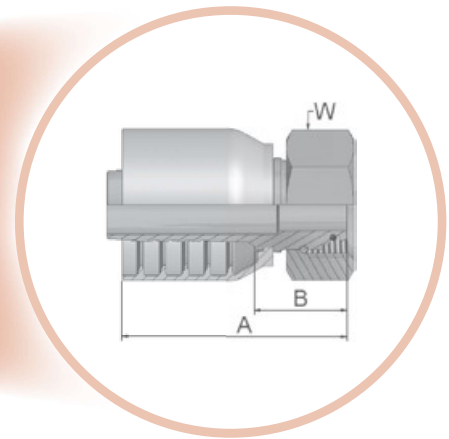
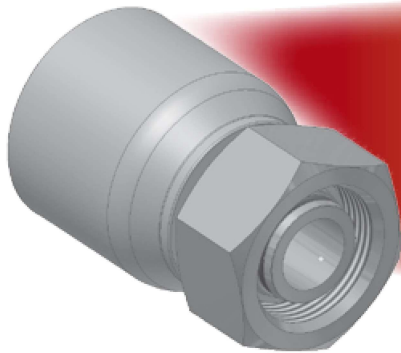
XXXX-XX-XX Part Number 46 48	Hose I.D. 				Thread metric 	Tube O.D. mm	A mm	B mm	W mm 	
	DN	Inch	Size	mm						
1C946-6-4	1C948-6-4	6	1/4	-4	6,3	M14x1,5	6	48	26	17
1C946-8-4	1C948-8-4	6	1/4	-4	6,3	M16x1,5	8	47	23	19
1C946-10-4	1C948-10-4	6	1/4	-4	6,3	M18x1,5	10	46	22	22
1C946-12-4	1C948-12-4	6	1/4	-4	6,3	M20x1,5	12	48	24	24
1C946-14-4	1C948-14-4	6	1/4	-4	6,3	M22x1,5	14	48	24	27
1C946-8-5	1C948-8-5	8	5/16	-5	7,9	M16x1,5	8	46	23	19
1C946-10-5	1C948-10-5	8	5/16	-5	7,9	M18x1,5	10	46	22	22
1C946-12-5	1C948-12-5	8	5/16	-5	7,9	M20x1,5	12	48	24	24
1C946-14-5	1C948-14-5	8	5/16	-5	7,9	M22x1,5	14	48	24	27
1C946-16-5	1C948-16-5	8	5/16	-5	7,9	M24x1,5	16	52	28	30
1C946-8-6	1C948-8-6	10	3/8	-6	9,5	M16x1,5	8	49	26	19
1C946-10-6	1C948-10-6	10	3/8	-6	9,5	M18x1,5	10	45	23	22
1C946-12-6	1C948-12-6	10	3/8	-6	9,5	M20x1,5	12	48	25	24
1C946-14-6	1C948-14-6	10	3/8	-6	9,5	M22x1,5	14	47	24	27
1C946-16-6	1C948-16-6	10	3/8	-6	9,5	M24x1,5	16	50	28	30
1C946-12-8	1C948-12-8	12	1/2	-8	12,7	M20x1,5	12	52	28	24
1C946-14-8	1C948-14-8	12	1/2	-8	12,7	M22x1,5	14	48	24	27
1C946-16-8	1C948-16-8	12	1/2	-8	12,7	M24x1,5	16	52	28	30
1C946-20-8	1C948-20-8	12	1/2	-8	12,7	M30x2	20	53	29	36
1C946-16-10	1C948-16-10	16	5/8	-10	15,9	M24x1,5	16	54	28	30
1C946-20-10	1C948-20-10	16	5/8	-10	15,9	M30x2	20	53	28	36
1C946-20-12	1C948-20-12	20	3/4	-12	19,1	M30x2	20	56	30	36
1C946-25-12	1C948-25-12	20	3/4	-12	19,1	M36x2	25	61	35	46
1C946-25-16	1C948-25-16	25	1	-16	25,4	M36x2	25	63	33	46
1C946-30-16	1C948-30-16	25	1	-16	25,4	M42x2	30	67	38	50
1C946-38-20°		32	1-1/4	-20	31,8	M52x2	38	69	32	60
	1C948-38-20°	32	1-1/4	-20	31,8	M52x2	38	80	33	60

Hose fittings are delivered with ozone resistant Nitrile (NBR) O-ring as a standard version. Working temperature from -30 °C up to +105 °C.
Hose fittings with special O-rings (Viton or EPDM) available on request. For O-ring dimensions and part-numbers see Section Eb.
Material: steel chromium(VI) free plated; °Assembly only with Parkrimp 2 machine

Information about standard products or non-standard products can be found in the current price list.
Dimensions shown may be changed at any time without prior notice.





C9 – Female Metric 24° – Heavy Series with O-ring – Swivel – Straight

ISO 12151-2-SWS-S – DKOS



Approved fitting series for hose types:

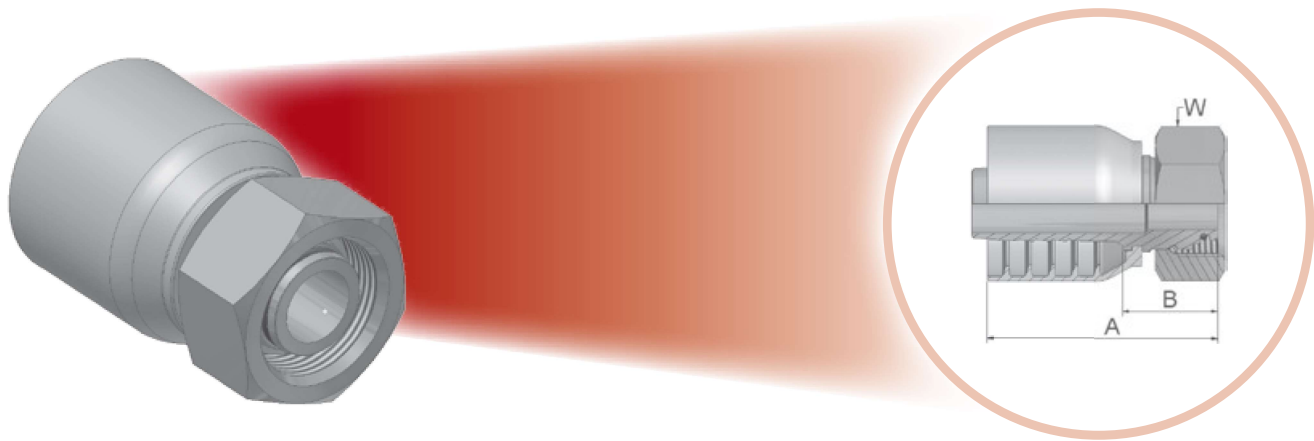


XXXX-XX-XX Part Number 	 Hose I.D.				 Thread metric	Tube O.D.	A	B	 W
	DN	Inch	Size	mm					
1C970-8-6	10	3/8	-6	9,5	M16x1,5	8	53	24	19
1C970-12-6	10	3/8	-6	9,5	M20x1,5	12	52	22	24
1C970-14-6	10	3/8	-6	9,5	M22x1,5	14	53	24	27
1C970-12-8	12	1/2	-8	12,7	M20x1,5	12	60	25	24
1C970-16-8	12	1/2	-8	12,7	M24x1,5	16	59	24	30
1C970-16-10	16	5/8	-10	15,9	M24x1,5	16	67	27	30
1C970-20-10	16	5/8	-10	15,9	M30x2	20	64	27	36
1C970-25-10	16	5/8	-10	15,9	M36x2	25	65	29	46
1C970-20-12	20	3/4	-12	19,1	M30x2	20	67	27	36
1C970-25-12	20	3/4	-12	19,1	M36x2	25	68	29	46
1C970-25-16	25	1	-16	25,4	M36x2	25	78	33	46
1C970-30-16	25	1	-16	25,4	M42x2	30	80	33	50
1C970-38-20°	32	1-1/4	-20	31,8	M52x2	38	80	33	60

Fittings with standard O-ring seals can be used for temperatures from -30 °C up to +105 °C.
Find O-rings in section E. Special O-rings are available on request.
° Assembly on Parkrimp® 2 machine only.
Material: steel chromium(VI) free plated





C9 – Female Metric 24° – Heavy Series with O-ring – Swivel – Straight

ISO 12151-2-SWS-S – DKOS



Approved fitting series for hose types:

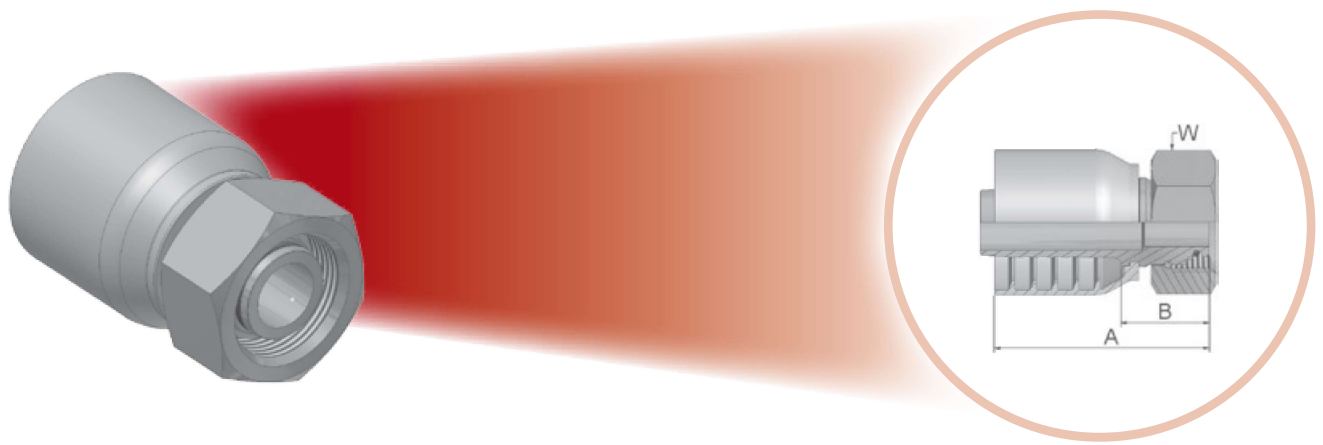


XXXX-XX-XX Part Number 	 Hose I.D.				 Thread metric	Tube O.D.	A	B	 W
	DN	Inch	Size	mm		mm	mm	mm	mm
1C971-12-6	10	3/8	-6	9,5	M20x1,5	12	52	22	24
1C971-16-8	12	1/2	-8	12,7	M24x1,5	16	59	24	30
1C971-20-10	16	5/8	-10	15,9	M30x2	20	66	27	36
1C971-20-12	20	3/4	-12	19,1	M30x2	20	66	27	36
1C971-25-12	20	3/4	-12	19,1	M36x2	25	68	29	46
1C971-25-16	25	1	-16	25,4	M36x2	25	78	33	46
1C971-30-16	25	1	-16	25,4	M42x2	30	80	33	50
1C971-38-20°	32	1-1/4	-20	31,8	M52x2	38	80	33	60
1C971-38-24	40	1-1/2	-24	38,1	M52x2	38	99	39	60

° Assembly on Parkrimp® 2 machine only.
 Fittings with standard O-ring seals can be used for temperatures from -30 °C up to +105 °C.
 Find O-rings in section E. Special O-rings are available on request.
 Material: steel chromium(VI) free plated





C9 – Female Metric 24° – Heavy Series with O-ring – Swivel – Straight

ISO 12151-2-SWS-S – DKOS



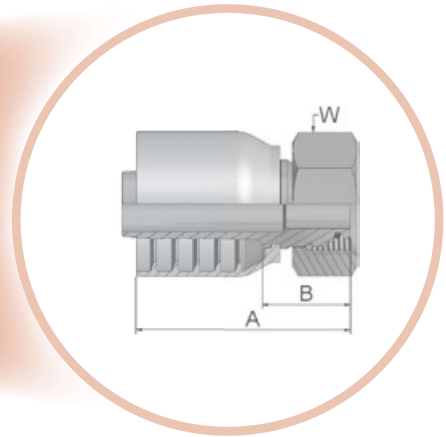
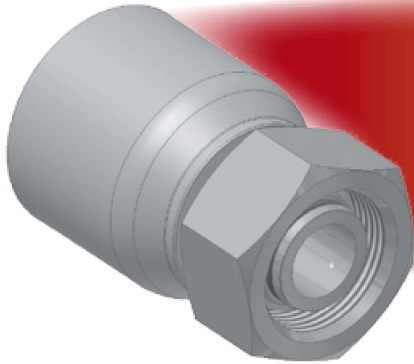
Approved fitting series for hose types:



XXXX-XX-XX Part Number 	 Hose I.D.				 Thread metric	Tube O.D.	A	B	 W
	DN	Inch	Size	mm					
1C973-20-12	20	3/4	-12	19,1	M30x2	20	81	33	36
1C973-25-12	20	3/4	-12	19,1	M36x2	25	80	32	46
1C973-20-16	25	1	-16	25,4	M30x2	20	86	36	36
1C973-25-16	25	1	-16	25,4	M36x2	25	87	36	46
1C973-30-16	25	1	-16	25,4	M42x2	30	87	36	50
1C973-30-20	32	1-1/4	-20	31,8	M42x2	30	106	42	50
1C973-38-20	32	1-1/4	-20	31,8	M52x2	38	102	35	60
1C973-38-24	40	1-1/2	-24	38,1	M52x2	38	105	42	60





Fittings with standard O-ring seals can be used for temperatures from -30 °C up to +105 °C.
Find O-rings in section E. Special O-rings are available on request.
Material: steel chromium(VI) free plated

C9 – Female Metric 24° – Heavy Series with O-ring – Swivel – Straight
ISO 12151-2-SWS-S – DKOS



Approved fitting series for hose types:

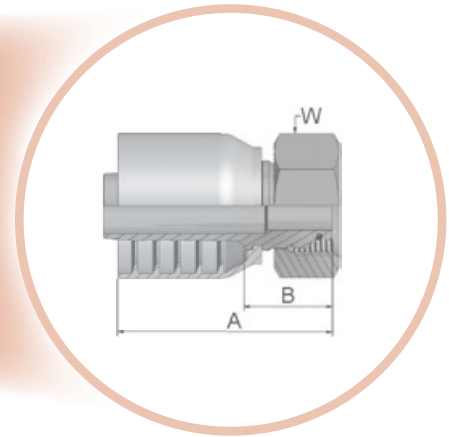
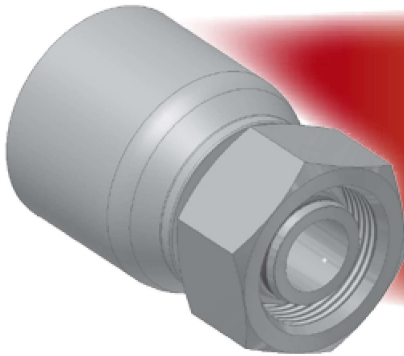


XXXX-XX-XX Part Number 	 Hose I.D.				 Thread metric	Tube O.D.	A	B	 W
	DN	Inch	Size	mm					
1C978-20-12	20	3/4	-12	19,1	M30x2	20	81	33	36
1C978-25-12	20	3/4	-12	19,1	M36x2	25	80	32	46
1C978-30-16	25	1	-16	25,4	M42x2	30	87	36	50
1C978-30-20	32	1-1/4	-20	31,8	M42x2	30	106	42	50
1C978-38-20	32	1-1/4	-20	31,8	M52x2	38	102	35	60
1C978-38-24	40	1-1/2	-24	38,1	M52x2	38	105	42	60

Fittings with standard O-ring seals can be used for temperatures from -30 °C up to +105 °C.
Find O-rings in section E. Special O-rings are available on request
Material: steel chromium(VI) free plated




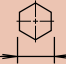
C9 – Female Metric 24° – Heavy Series with O-ring – Swivel – Straight

ISO 12151-2-SWS-S – DKOS



Approved fitting series for hose types:



XXXX·XX·XX Part Number 	 Hose I.D.				 Thread metric	A	B	 W
	DN	Inch	Size	mm				
1C979-25-12	20	3/4	-12	19,1	M36x2	87	32	46
1C979-30-16	25	1	-16	25,4	M42x2	95	36	50
1C979-38-20°	32	1-1/4	-20	31,8	M52x2	111	40	60

Fittings with standard O-ring seals can be used for temperatures from -30 °C up to +105 °C.
 Find O-rings in section E. Special O-rings are available on request.
 ° Attention: Hose assembly pressure is reduced; see page Ab-3
 Material: steel chromium(VI) free plated