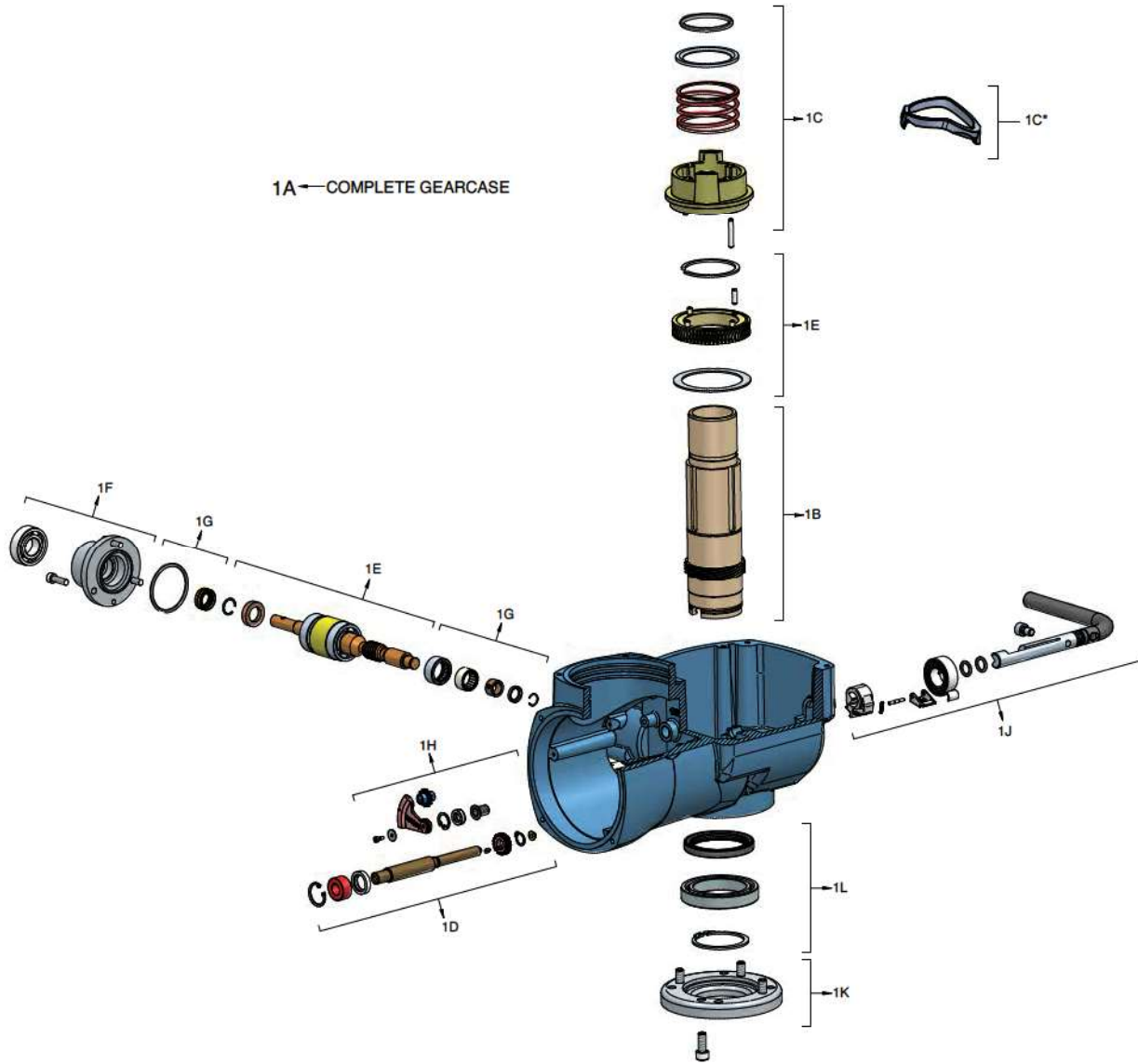


Module 1: Gearcase



Module 1: Gearcase

- 1A Complete gearcase, centre column, wormshaft & wormwheel, torque spring pack
- 1B Centre column
- 1C Sliding clutch, coil spring, washer, o-ring.
* NOTE: Yoke only fitted in CK500.
- 1D Switch mechanism / encoder drive shaft, bush, clip, seal
- 1E Wormwheel & wormshaft including spring pack
- 1F Wormshaft thrust end cap bearing assembly
- 1G Wormshaft maintenance kit. Bearings, seals, o-rings, screws etc.
- 1H Torque mechanism, lever, quadrant gear, gear drive
- 1J Hand / Auto mechanism, lever, cam, spring, stop bolt, seal
- 1K Gearcase base flange plate
- 1L Gearcase maintenance kit. O-rings, seals, bearings, circlips, screws etc.