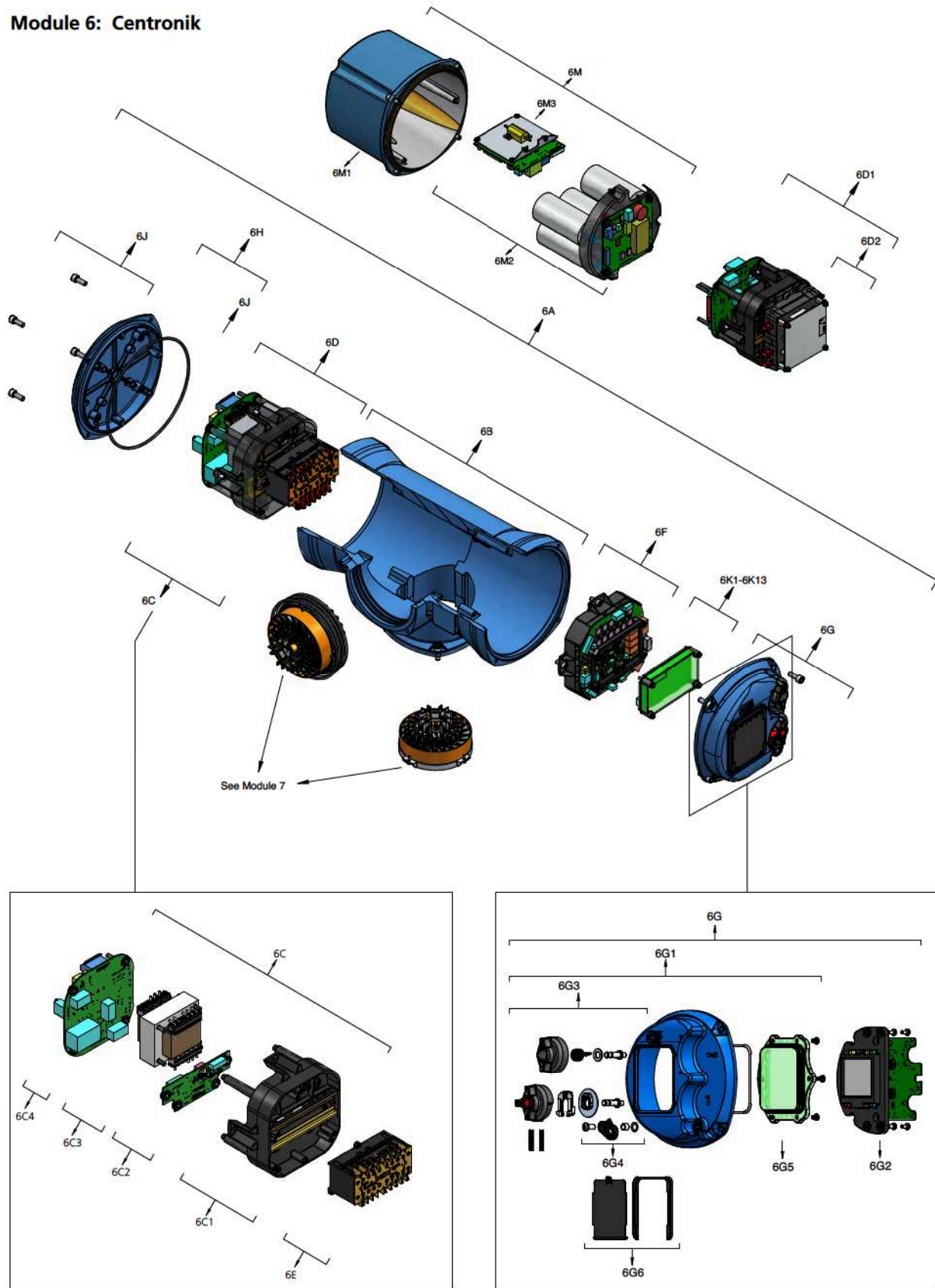


**Module 6: Centronik**



### Module 6: Centronik

6A	Centronik assembly complete	6K1	Profibus® DP
6B	Centronik cast body only	6K2	Profibus® DP dual channel
6C	Power module only	6K3	Modbus® RTU
6C1	Power module chassis	6K4	Modbus® RTU dual channel
6C2	Power PCB	6K5	Foundation Fieldbus®
6C3	Transformer	6K6	HART®
6C4	Fuse PCB	6K7	Extra 4 indication relay card
6D	Power module including reversing contactor	6K8	Analogue positioner + current position transmitter
6D1	Power module including solid state starter	6K9	Analogue current position transmitter (CPT)
6D2	Solid state starter only	6K10	Analogue current torque transmitter (CTT)
6E	Reversing contactor assembly only	6K11	Analogue current position transmitter (CPT) Loop powered
6F	Control PCB	6K12	Analogue current torque transmitter (CTT) Loop powered
6G	User interface cover complete assembly - Cover, control knobs, HMI PCB, o-ring	6K13	<i>Pakscan™</i>
6G1	Cover, control knobs. Not including HMI PCB	6L	Auxiliary DC to DC card
6G2	User interface PCB	6M	Single-phase motor starter capacitor pack Variable item
6G3	Both control knobs -Open Close and Local Remote	6M1	Deep cover - o-ring and screws
6G4	Locking latch assembly	6M2	Capacitor pack and switch PCB
6G5	Window	6M3	Switch PCB
6G6	Window UV cover		
6G7	<i>Bluetooth®</i> PCB		
6H	End cover including o-ring		
6J	Cover screws and o-rings		