

# ABL1RPM24042

regulated SMPS, single phase, 100..240 V  
input, 24 V output, 100 W



Local distributor code: 7562301143  
EAN Code: 3389110638271



## Main

Range of product	Phaseo Dedicated
Product or component type	Power supply
Power supply type	Regulated switch mode
Rated power in W	100 W
Main Input Voltage	100...240 V AC single phase 120...370 V DC
Output voltage	24 V DC
Power supply output current	4.2 A
Operating position	Any position
Vibration resistance	2 gn (f= 9...150 Hz) conforming to EN/IEC 61131-2 3.5 mm (f= 5...9 Hz) conforming to EN/IEC 61131-2
Name of test	Conducted interference conforming to EN 61000-4-8 level 4 Electrostatic discharges conforming to EN/IEC 61000-4-2 level 3 Induced electromagnetic field conforming to EN/IEC 61000-4-6 level 3 Radiated electromagnetic field conforming to EN/IEC 61000-4-3 level 3 Rapid transient conforming to IEC 61000-4-4 level 3 Conducted/Radiated emissions conforming to EN 55022 class B Conducted/Radiated emissions conforming to EN/IEC 55011 Emission conforming to EN/IEC 61000-6-3 Primary outage conforming to IEC 61000-4-11 Surge conforming to EN/IEC 61000-4-5

## Complementary

Input voltage limits	85...264 V
Network frequency	47...63 Hz
Inrush current	50 A at 115 V AC 100 A at 230 V AC
Cos phi	0.7...0.95
Efficiency	80 %
Power dissipation in W	25 W
Current consumption	0.7 A at 240 V 1.7 A at 100 V
Input protection type	Integrated fuse (not interchangeable)
Output voltage limits	21.6...26.4 V
Line and load regulation	+/- 3 %
Holding time	>= 10 ms at 100 V >= 40 ms at 240 V
Output protection type	Against overload, protection technology: 1.1...1.5 x In Against overvoltage, protection technology: tripping if U > 1.25 x Un Against short-circuits, protection technology: automatic reset Thermal

The information provided in this documentation contains general descriptions and/or technical characteristics of the performance of the products contained herein. This documentation is not intended as a substitute for and is not to be used for determining suitability or reliability of these products for specific user applications. It is the duty of any such user or integrator to perform the appropriate and complete risk analysis, evaluation and testing of the products with respect to the relevant specific application or use thereof. Neither Schneider Electric Industries SAS nor any of its affiliates or subsidiaries shall be responsible or liable for misuse of the information contained herein.

Connections - terminals	For ground connection: screw type terminals, connection capacity: 1 x 4 mm <sup>2</sup> AWG 12 For input connection: screw type terminals, connection capacity: 2 x 4 mm <sup>2</sup> AWG 12 For output connection: screw type terminals, connection capacity: 4 x 4 mm <sup>2</sup> AWG 12
Marking	CE
Mounting support	Reversible mounting bracket Panel
Operating altitude	2000 m
Output coupling	Parallel Series
Overvoltage category	II
Meantime between failure [MTBF]	100000 h at 40 °C
Status LED	1 LED (green) output voltage
Net weight	0.64 kg

## Environment

Product certifications	TUV 60950-1[RETURN]RCM[RETURN]UL 508[RETURN]cCSAus[RETURN]CSA 22-2 No 60950-1[RETURN]KC[RETURN]EAC
Environmental characteristic	EMC conforming to EN 50081-1 EMC conforming to EN 50082-2 EMC conforming to EN 61000-6-3 EMC conforming to EN/IEC 61000-6-2 Safety conforming to EN/IEC 60950-1 Safety conforming to SELV Low frequency harmonic currents conforming to EN/IEC 61000-3-2
IP degree of protection	IP20 conforming to EN/IEC 60950
Ambient air temperature for operation	0...45 °C (without derating) 45...60 °C (with derating factor)
Ambient air temperature for storage	-25...85 °C
Relative humidity	20...90 %
Overvoltage category	Class I conforming to VDE 0106-1
Pollution degree	2
Dielectric strength	1500 V between input and ground 3000 V between input and output 500 V between output and ground

## Packing Units

Unit Type of Package 1	PCE
Number of Units in Package 1	1
Package 1 Height	5.3 cm
Package 1 Width	12 cm
Package 1 Length	23.5 cm
Package 1 Weight	727 g

## Offer Sustainability

Sustainable offer status	Green Premium product
EU RoHS Directive	Pro-active compliance (Product out of EU RoHS legal scope)
Mercury free	Yes
China RoHS Regulation	<a href="#">China RoHS Declaration</a>
RoHS exemption information	<a href="#">Yes</a>
Environmental Disclosure	<a href="#">Product Environmental Profile</a>
Circularity Profile	<a href="#">End Of Life Information</a>
PVC free	Yes

## Logistical informations

Country of origin	CN
-------------------	----

### Contractual warranty

---

Warranty	18 months
----------	-----------

---

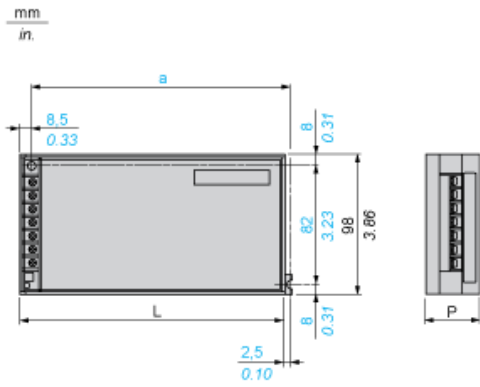
### Distributors and Sales information\_dk

---

Local Stock Code	Affecte, not on stock
------------------	-----------------------

---

Dimensions



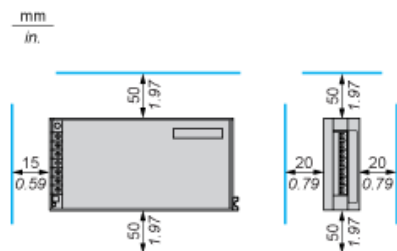
Dimensions in mm

a	L	P
194	200	38

Dimensions in in.

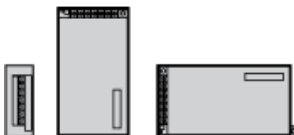
a	L	P
7.64	7.87	1.50

Clearance



Mounting Way

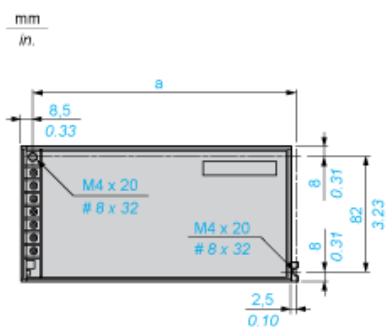
Mounting on Vertical Plane



Mounting on Horizontal Plane



Direct Mounting by 2 M4 x 20 Screws



Dimensions in mm

a

194

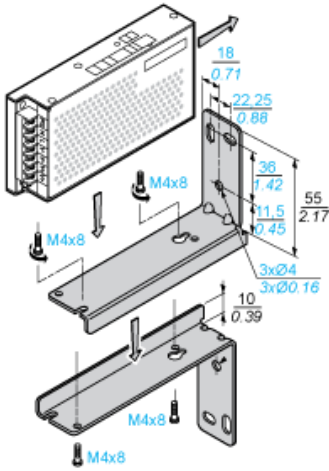
Dimensions in in

a

7.64

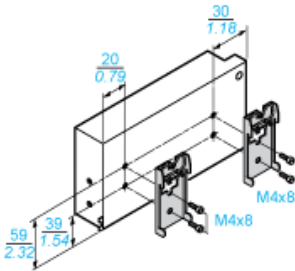
Mounting on the Back on ABL 1A01 Reversible Bracket by Three 4 mm Diameter Screws

mm  
in.

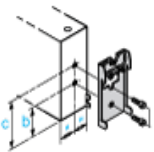


### Mounting on ABL 1A02 Clip-on Mounting on 35 mm Rail

mm  
in.



### Mounting by the Back



Dimensions in mm

b	c
38	58

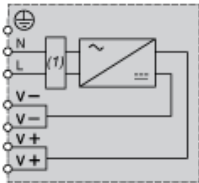
Dimensions in in.

b	c
1.50	2.28

---

Internal Wiring Diagram

---



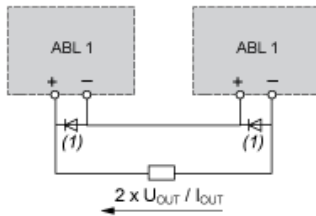
(1) Filter

---

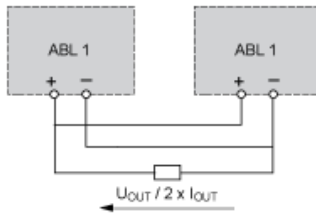
Series or Parallel Connection

---

Series Connection



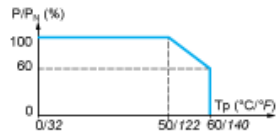
Parallel Connection



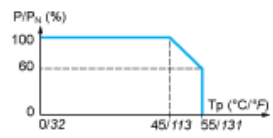
(1) 8 A/100 V Shottky diode

Derating Curves

Mounting on Vertical Plane



Mounting on Horizontal Plane



Load Limits Curve

