

Instruction Manual

748175-G

May 2002

Model 815

Explosion Proof Non-Dispersive Infrared Analyzer

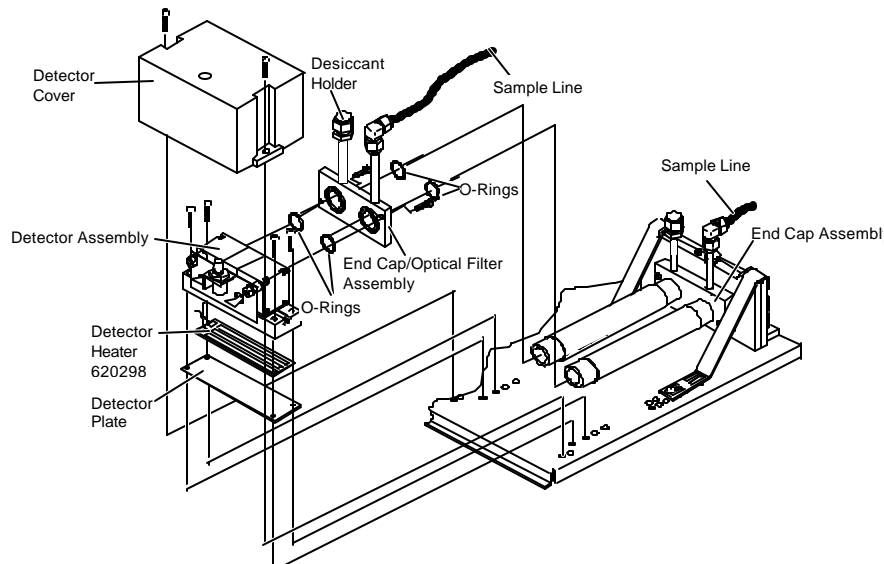


ROSEMOUNT[®]
Analytical

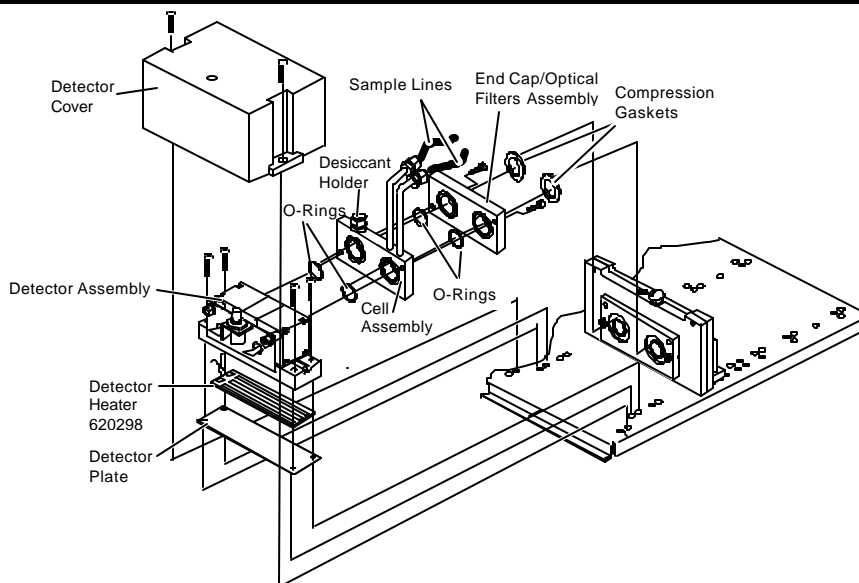
<http://www.processanalytic.com>


EMERSON
Process Management

A. LONG CELL



B. SHORT CELL



C. DETECTOR ASSEMBLY

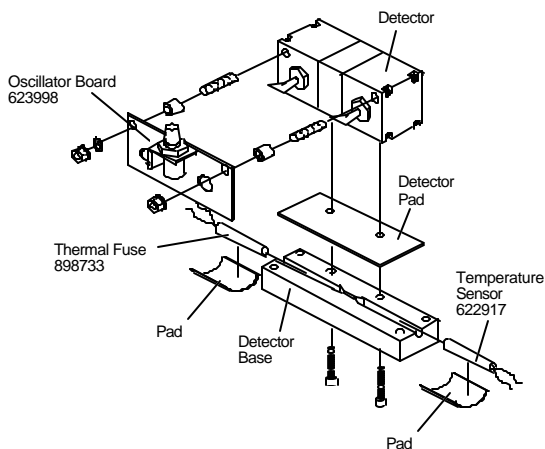


Figure 6-3. Detector Replacement

ITEM	DESCRIPTION	PART NO.	CONFIGURATION
87	Cell (Sample) 4mm	630825	13, 18, 23, 33, 34, 35, 38, 63, 76, 84
87	Cell (Sample and Reference) 128mm	622433	11, 21, 31, 41, 54, 64, 71, 72, 73, 81, 83
88	End Cap, Assembly, (Sapphire/Mica)	624186	36
88	End Cap, Assembly (Irtran)	624174	64, 73, 81, 83
88	End Cap, Assembly, (Sapphire)	624170	06, 07, 11, 19, 21, 31, 35, 41, 45, 54, 71, 72
88	Plate Assembly	624410	08, 10, 12, 13, 18, 22, 23, 26, 29, 30, 32, 33, 34, 38, 39, 42, 43, 55, 63, 65, 67, 74, 76, 82, 84
88	End Cap Assembly	630832	08, 10, 12, 13, 18, 22, 23, 29, 30, 32, 33, 34, 38, 39, 42, 43, 55, 76
89	O-Ring, Silicone FEP Coated	063254	21, 22, 23, 29, 30, 38, 76
89	O-Ring, Viton-A	856317	06, 07, 08, 10, 11, 12, 13, 18, 19, 31, 32, 33, 34, 35, 36, 39, 41, 42, 43, 45, 54, 55, 71, 72, 73, 74
89	O-Ring, Ethylene Propylene	878271	63, 64, 65, 67, 81, 82, 83, 84
90	Cap/Filter Assembly	624181	06, 07, 11
90	End Cap Assembly	624199	35
90	Cap/Filter Assembly	624183	31, 41, 45
90	Cap/Filter Assembly	624185	54, 72
90	End Cap, Assembly (Irtran)	624174	81, 83
90	End Cap Assembly	630831	63, 64, 65, 67, 74, 82, 84
91	O-Ring, Ethylene Propylene	900805	64, 81, 83
91	Compression Gasket	624122	08, 10, 12, 13, 18, 22, 23, 26, 29, 30, 32, 33, 34, 38, 39, 42, 43, 55, 63, 65, 67, 74, 76, 82, 84
91	O-Ring, Viton-A	899373	06, 07, 11, 19, 21, 31, 35, 36, 41, 45, 54, 71, 72, 73
93	Detector Heater	620298	All
94	Detector Plate	624134	All
95	Bracket, Support - Motor/Source	652937	06, 19, 45

Table 7-2. Optical Bench Components by Configuration