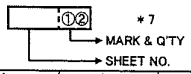


MFG.SERIAL NO.	REV
D 411247-0662	2

INSTRUMENT SHEET

REV No.	TAG NO.	VALVE NAME	VALVE CODE NO.			DN (A)	Q'TY	END CONNECTION		OP. #5	FLUID			TEMPERATURE (°C)	OUTLINE & SECTION SHEET NO.	ACCESSORIES						NAME PLATE SHEET NO
			BODY MATERIAL *1	DIAPHRAGM & SEAT MATERIAL *2	DISK & BALL MATERIAL *3			POSITION *4	ACTUATOR CODE NO.		OPERATING PRESS.	INLET PRESS. (bar(G))	OUTLET PRESS. (bar(G))			ΔP (bar(G))	ACCESSORIES OF ARRANGEMENT SHEET NO.					
1 0013	50MAG15AA905	CONDENSER WATER BOX A OUTLET SIDE VENT VALVE	POSH1430(04)N-CR			050	1	ANSI CL150 FF	A	SEA WATER/AIR			50	1	4	MW (IP67)	5	E (IP56)	6	V	9	
			FCD-S/HRL	CR				12	4 bar(G)	R			4.6	2	7	G	8	QS				
1 0023	50MAG15AA904	CONDENSER WATER BOX A INLET SIDE VENT VALVE	POSH1430(04)N-CR			100	1	ANSI CL150 FF	A	SEA WATER/AIR			40	1	4	MW (IP67)	5	E (IP56)	6	V	10	
			FCD-S/HRL	CR				25	4 bar(G)	R			4.6	3	7	G	8	QS				
1 0033	50MAG16AA905	CONDENSER WATER BOX B OUTLET SIDE VENT VALVE	POSH1430(04)N-CR			050	1	ANSI CL150 FF	A	SEA WATER/AIR			50	1	4	MW (IP67)	5	E (IP56)	6	V	9	
			FCD-S/HRL	CR				12	4 bar(G)	R			4.6	2	7	G	8	QS				
1 0043	50MAG16AA904	CONDENSER WATER BOX B INLET SIDE VENT VALVE	POSH1430(04)N-CR			100	1	ANSI CL150 FF	A	SEA WATER/AIR			40	1	4	MW (IP67)	5	E (IP56)	6	V	10	
			FCD-S/HRL	CR				25	4 bar(G)	R			4.6	3	7	G	8	QS				

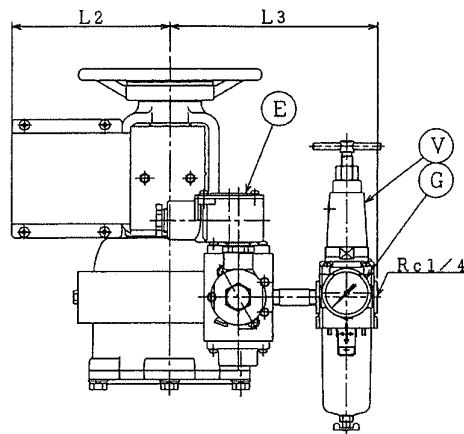
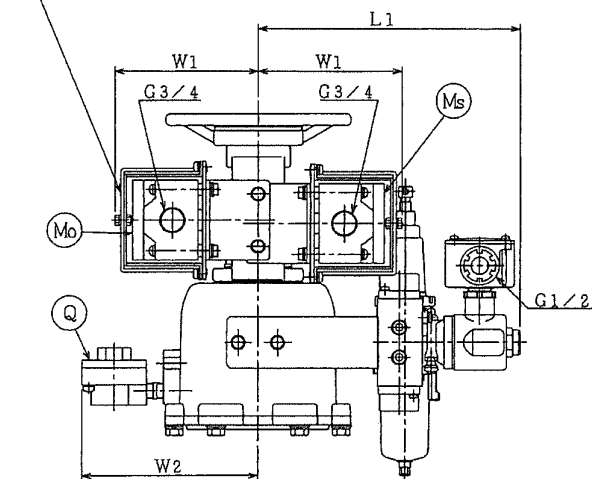
PAINTING SPECIFICATION (NDV STANDARD)	PAINT TYPE	PAINT NAME	FINISH COLOR
UNDER COAT	EPOXY MODIFIED RESIN	UNI GROUND E SMILE	—
TOP COAT	PHTHALIC ACID RESIN	UNI PAC NEO STANDARD	SILVER

OPEN-SHUT: WITHIN 15 SECONDS

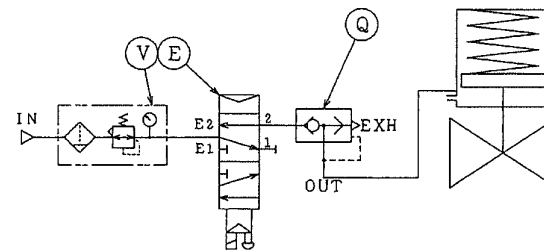
ACTUATOR CODE
07(B)~12(B)

駆動部型番 ACTUATOR CODE	L1	L2	L3	W1	W2
07(B)			207		127
09(B)	227	138	200	124	135
12(B)			182		153

保護カバー付リミットスイッチ
LIMIT SWITCH WITH
PROTECTIVE COVER



空気配管系統図
Piping diagram



(B) P014N(Reverse acting)
電磁弁励磁時 : 弁開
(energized) (Valve open)
電磁弁非励磁時 : 弁閉
(De-energized) (Valve close)

AIR PIPING MATERIAL : COVERED C1220T-0 WITH ENDCAP
AIR PIPE FITTING MATERIAL : C1220
AIR PIPE FITTING TYPE : 37° FLARE

Q	クイックエグゾースト QUICK EXHAUST	1	AQ3000-02-1
G	圧力計 PRESSURE GAUGE	1	GK25-S08
V	フィルタ付き減圧弁 FILTER REGULATOR	1	AW30-02-2R-B -X430
E	電磁弁 SOLENOID VALVE	1	M15G-8-A12PG-TF
Mo	リミットスイッチ LIMIT SWITCH	1	VCL-S10/
Ms	リミットスイッチ LIMIT SWITCH	1	VCL-S10/
NO.	PART NAME	Q'TY	REMARKS
APPD	by <i>A. Nagano</i>		Title
CHKD	by <i>A. Nagano</i>		クイックエグゾースト弁付属品装着図
DRAWN	by A. NAGANO		TYPE: (B) POSH1400N
DATE	18.12.18		ACCESSORY ASSEMBLY DWG.
DRAWING No.	FB0703-049A0		
NDVNIPPON DAIYA VALVE CO., LTD. Tokyo Japan			

SHEET No. 2

SPC-GIH-XIT05-00033

76/132