

## ► IK555 Long Retractable Sootblower

Instruction Manual

Parts Identification Manual



© 2018 B&W Diamond Power Machine (Hubel) Co. Inc.

IK555 (DPMH)  
Revision 2.0  
August, 2018

## 9 RECOMMENDED SPARE PARTS LIST

The intent of the list on the following page is to identify the minimum number of spare parts Diamond Power recommends be kept on hand to minimize cleaner downtime, in the event maintenance is required. The quantity of parts may vary depending on how critical the cleaner operation is to the plant performance, and company policy. Diamond Power recommends you review the entire manual, evaluate your operations, and then determine which parts are essential for your operational needs.

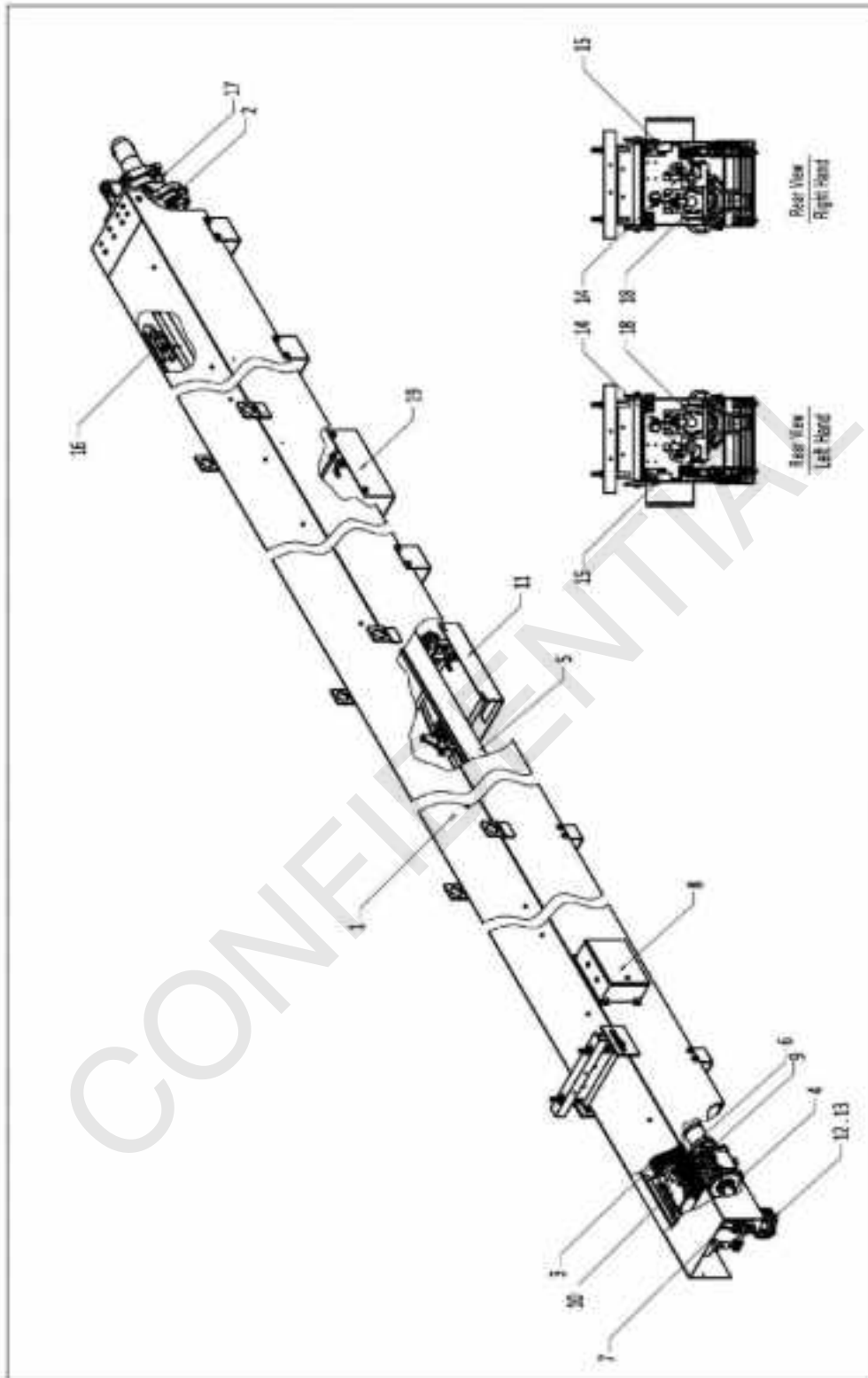
Table 9.1 IK555 Recommended spare parts list

PART NUMBER	QUANTITY/PER SB	DESCRIPTION
See Page 83 Item 2	1	Carriage Assembly
718060-14903	1	Electric Motor
See Page 85 Item 6	1	Lance Joint And Packing Assy
680206-14001	1	Gasket, Lance Tube
680801-05002a	1	Packing
680801-05004a	1	Packing
See Page 85 Item 7	1	Turn On Assembly
670212-00112	1	Cam And Arm Assembly(R)
670212-00113	1	Cam And Arm Assembly(L)
670200-00114	1	Poppet Valve Assembly, $\Phi$ 60 Feed Tube
670200-00116	1	Poppet Valve Assembly, $\Phi$ 70 Feed Tube
718060-14B20	1	Feed Tube Assembly, $\Phi$ 60 Feed Tube
718060-14A20	1	Feed Tube Assembly, $\Phi$ 70 Feed Tube
670300-00851	1	Valve, Air Relief, Assembly
680408-14022	1	Limit Switch
718060-14951	1	Terminal Box
670400-02334	2	Front Support And Roller Assembly, 5" lance
670400-02332	2	Front Support And Roller Assembly, 4" lance
670400-02015	1	4" lance tube Wallbox Assembly
670400-02017	1	5" lance tube Wallbox Assembly
670400-01045	1	Companion Flange And Hardware

## 10 PARTS IDENTIFICATION MANUAL

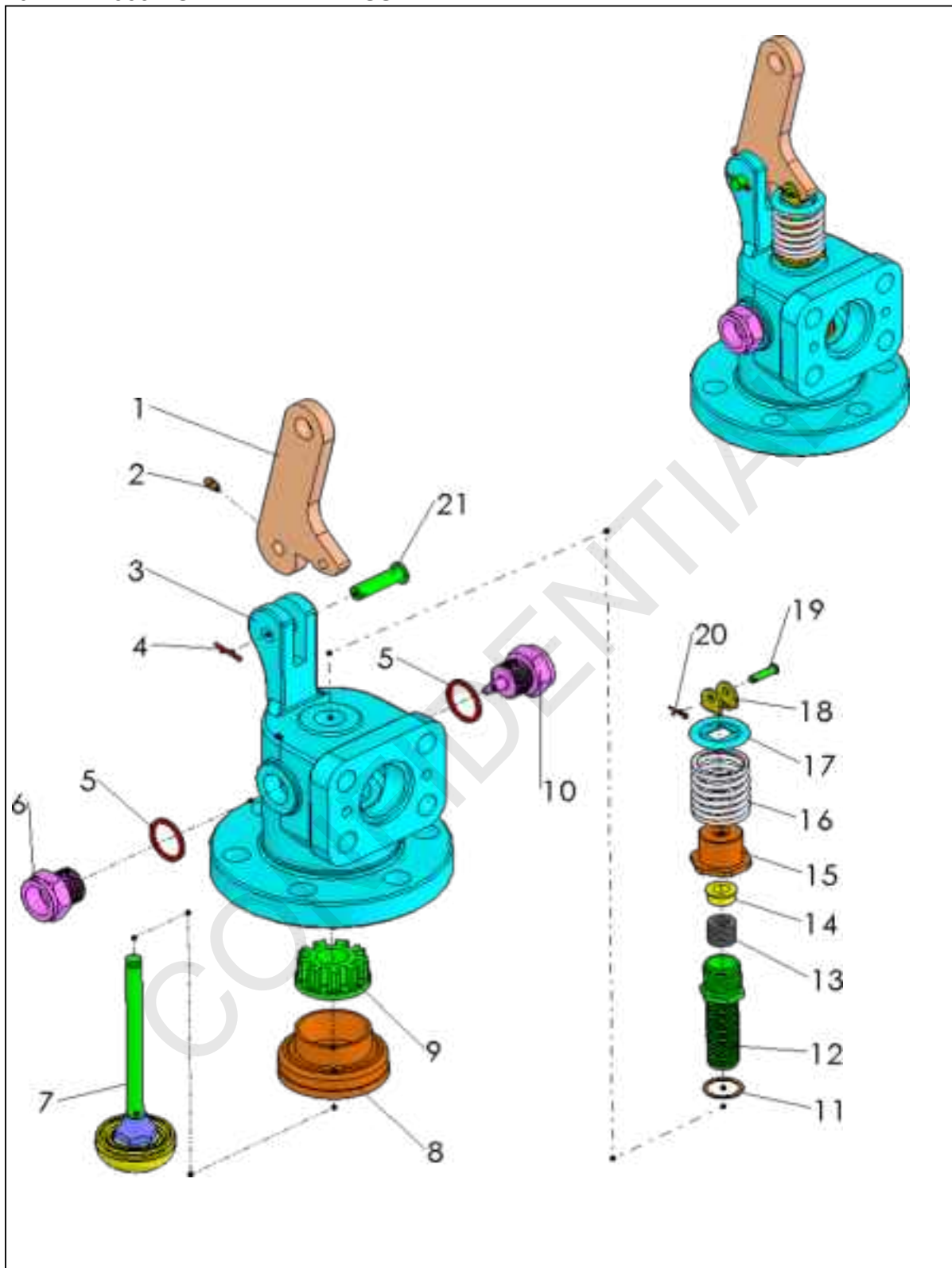
IK555 Engineered Parts list for 1806014/1806015 (N12035) Tanjung Jati Project				
ITEM	PART NO.	DESCRIPTION	QTY	REMARK
1	718060-14903	Motor	1	
2	670100-02336	Carriage Assembly, RH	1	Position: 101R-102R,103L-104L, 105R
	670100-02335	Carriage Assembly, LH		Position: 101L-102L,103R-104R, 105L
	670100-02332	Carriage Assembly, RH		Position: 106R-112R,113L-115L,118L-121L
	670100-02331	Carriage Assembly, LH		Position: 106L-112L,113R-115R,118R-121R
3	718060-14021	Lance Tube	1	Position: 101L/R-104L/R
	718060-14A47	Lance Tube		Position: 105L/R
	718060-14B47	Lance Tube		Position: 109L/R
	718060-14C47	Lance Tube		Position: 114L/R
	718060-14D47	Lance Tube		Position: 115L/R,118L/R-121L/R
	718060-14A25	Lance Tube		Position: 106L/R,107L/R
	718060-14B25	Lance Tube		Position: 108L/R,110L/R,111L/R
	718060-14C25	Lance Tube		Position: 112L/R,113L/R
4	718060-14A20	Feed tube	1	Position: 101L/R-105L/R
	718060-14B20	Feed tube		Position: 106L/R-115L/R,118L/R-121L/R
5	670200-00116	Poppet Valve Assembly	1	Position: 101L/R-105L/R
	670200-00114	Poppet Valve Assembly	1	Position: 106L/R-115L/R,118L/R-121L/R
6	680704-00237	Companion Flange	1	
7	670400-01045	Hardware, Companion Flange	1	
8	718060-14018	Suspension Rod, Expanda Cable	1	
9	680412-20965	Expanda Cable, LH	1	
	680412-20966	Expanda Cable, RH	1	
10	670300-00851	Air Relief Valve, 20NB	1	

### 10.1 IK555 SOOTBLOWER ASSEMBLY



IK555 Sootblower Assembly				
ITEM	PART NO.	DESCRIPTION	QTY	REMARK
1	718060-14011	Beam Assy, RH /LH	1	For 4" Lance
	718060-14041			For 5" Lance
2	670400-02332	Front Support Assy, Rigid Or Pivot	1	For 4" Lance
	670400-02334			For 5" Lance
3	718060-14903	Motor	1	
4	718060-14A20	Feed Tube	1	φ 70
	718060-14B20			φ 60
5	See Page 83 Item 3	Lance And Nozzle Assy	1	
6	670402-01689	Lance Joint And Packing Assy	1	φ 70FT,4" Lance
	670401-01689			φ 60FT,4" Lance
	670400-02348			φ 70FT,5" Lance
	670400-02308			φ 60FT,5" Lance
7	670212-00113	Single-PV Turn-On Assy,LH	1	
	670212-00112	Single-PV Turn-On Assy,RH		
8	718060-14951	Electric Terminal Box Assy	1	
9	718060-14018	Suspension Rod Assy	1	
10	See Page 83 Item 2	Carriage Assy ( Left )	1	
		Carriage Assy ( Right )		
11	670403-02364	Lance And Feed Tube Auxiliary Support Assy LH	1	φ 70FT,4" Lance
	670404-02364	Lance And Feed Tube Auxiliary Support Assy RH		
	670401-02365	Lance And Feed Tube Auxiliary Support Assy LH	1	φ 60FT,4" Lanc
	670402-02365	Lance And Feed Tube Auxiliary Support Assy RH		
	670401-02364	Lance And Feed Tube Auxiliary Support Assy LH	1	φ 70FT,5" Lance
	670402-02364	Lance And Feed Tube Auxiliary Support Assy RH		
	670401-02367	Lance And Feed Tube Auxiliary Support Assy LH	1	φ 60FT,5" Lance
	670402-02367	Lance And Feed Tube Auxiliary Support Assy RH		
12	680704-00237	Companion Flange	1	For 600 Series
13	670400-01045	600#Companion Flange, Hardware	1	
14	670300-00851	Air Relief Valve And Piping	1	
15	---	Pressure Switch Assy	1	No need.
16	680408-14022	Limit Switch	2	
17	670400-02015	Negative Pressure Wallbox Assy	1	For 4" Lance
	670400-02017			For 5" Lance
18	670200-00116	Poppet Valve Assy	1	φ 70 Feed Tube
	670200-00114			φ 60 Feed Tube
19	670401-02360	Feed Tube Auxiliary Support Assy LH	1	
	670402-02360	Feed Tube Auxiliary Support Assy RH		
Note: RH— Right Hand LH— Left Hand PV—Poppet Valve				

### 10.2 IK555 POPPET VALVE ASSEMBLY



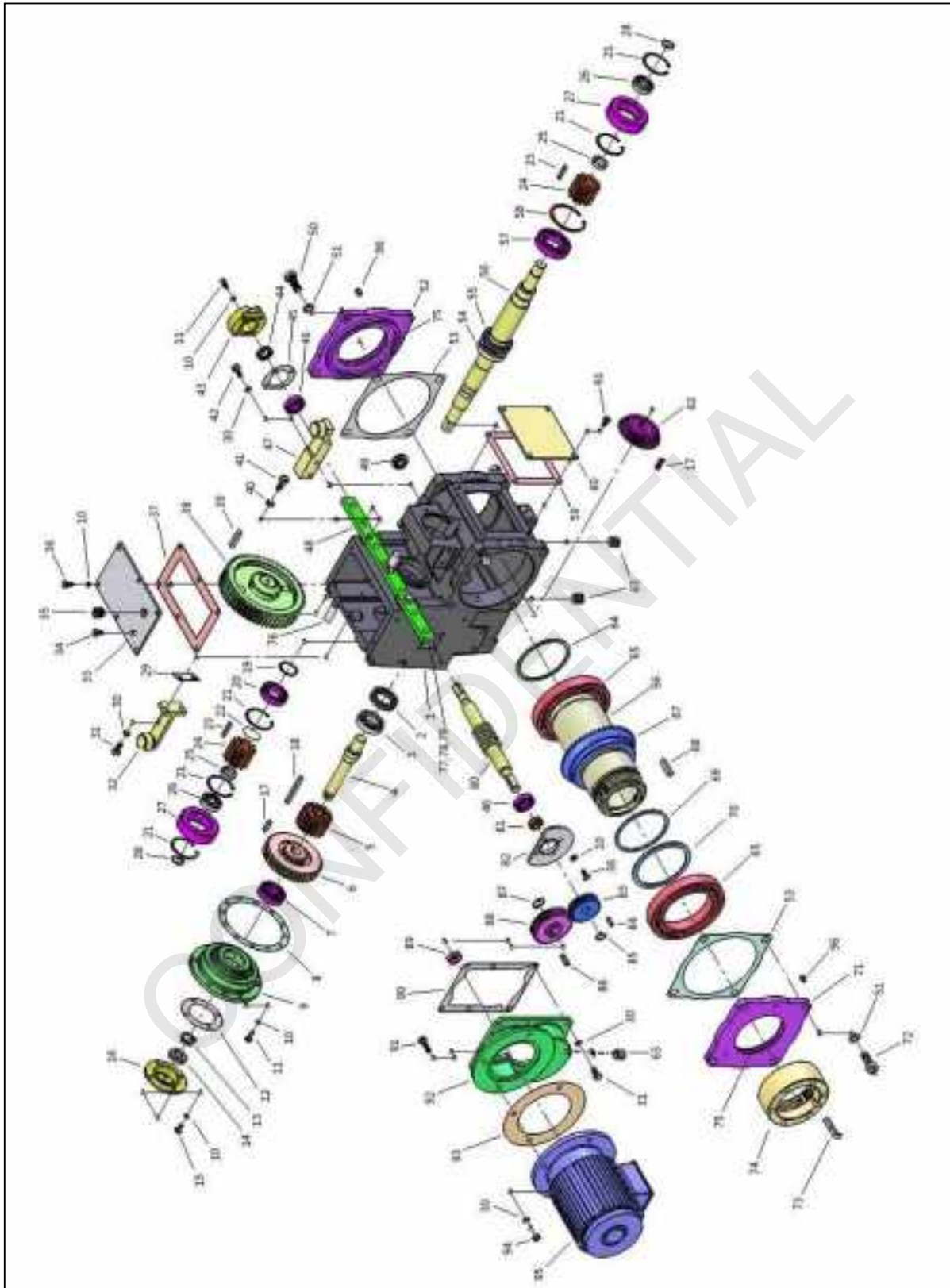
IK-555 Poppet Valve Assembly

IK555 Poppet Valve Assembly			670200-00114--- 670200-00117	
ITEM	PART NO	DESCRIPTION	QTY	REMARK
1	680701-00145	Trigger	1	
2	680210-01006	Lubricating Fitting	1	
3	680705-00122	Poppet Valve Body 600#	1	For Φ60 Feed Tube
	680705-00121	Poppet Valve Body 600#		For Φ70 Feed Tube
	680705-00501	Poppet Valve Body 900#		For Φ60 Feed Tube
	680705-00500	Poppet Valve Body 900#		For Φ70 Feed Tube
4	680208-02009	Cotter Pin	1	
5	680206-12007	Gasket(Copper)	3	
6	680703-00460	Npt Adapter	1	
7	670200-00513	Valve Steam & Disc Assy 600#	1	
	670200-00556	Valve Steam & Disc Assy 900#		
8	680705-00124	Flexible Valve Seat 600	1	For 600 Serie
	680703-00503	Flexible Valve Seat 900		For 900 Serie
9	680705-00127A	Control Disc	1	
10	680703-00601	Lockpin Plug	2	
11	680206-12008	Valve Stem Guide Washer	1	
12	680703-00611	Valve Stem Guide	1	
13	680801-05003A	Valve Stem Packing	1	
14	680703-00134	Packing Washer	1	
15	680801-01003	Valve Stem Packing Nut	1	
16	680801-03005	Spring	1	
17	680701-00136	Spring Retainer	1	
18	680801-06001	Valve Yoke	1	
19	680703-00141	Valve Yoke Pin	1	
20	680208-02006	Cotter Pin	1	
21	680703-00143	Trigger Pin	1	

**Note:** Some Contracts Used Speical Valve Body, Need To Advise The Contract Number.



### 10.3 IK555 CARRIAGE ASSEMBLY



IK555 Carriage Assembly

Uncontrolled when printed or downloaded. Verify that this is the correct version before use.  
Reproduction of part or all the contents of the document is prohibited without written permission from PT. Bhumi Jepara Service



IK-555 Carriage				
ITEM	PART NO	DESCRIPTION	Qty	REMARK
1	680705-00276A	Housing	1	
2	680212-00018A	Oil Seal	1	
3	680211-01065	Ball Bearing - Primary Helix Gear Shaft	1	
4	680703-00365	Lance Drive Shaft	1	
5	680707-00370	Primary Helix Spur Gear 26t	1	
6	680707-00385A	Worm Gear 40:1	1	
7	680211-01061	Ball Bearing - Primary Helix Gear Shaft	1	
8.1	680206-15018	0.10 Shim (Blue)	1	
8.2	680206-15019	0.20 Shim (Transparent)	1	
8.3	680206-15020	0.50 Shim (Yellow)	2	
9	680705-00278A	Bearing Carrier	1	
10	680206-02024	Lock Washer	24	
11	680203-04048	Socket Head Cap Screw	10	
12.1	680206-15015	Shim 0.10	1	
12.2	680206-15016	Shim 0.20	1	
12.3	680206-15017	Shim 0.50	1	
13	680206-07003	Bearing Lock Washer	1	
14	680202-07003	Bearing Lock Nut	1	
15	680203-04045	Socket Head Cap Screw	4	
16	680705-00370A	Bearing Retainer (Lance Drive Shaft)	1	
17	680209-01042	Key, Bevel Pinion	2	
18	680209-01048	Key	1	
19	680207-01033	Retaining Ring - Pinion Shaft Bearing	1	
20	680211-01085	Ball Bearing - Pinion Shaft	1	
21	680207-02024	Retaining Ring, Pinion Roller Bearing	5	
22	680212-00015A	Oil Seal	1	
23	680209-01024	Key	2	
24	680707-00322	Rack Drive Pinion	2	
25	680703-00352	Roller Spacer	2	
26	680211-01055	Bearing	2	
27	680703-00350	Roller	2	
28	680207-01018	Retaining Ring - Rack Pinion	2	
29	680701-00384	Shim - Roller Bracket	2	
30	680206-02033	Split Lock Washer	16	
31	680201-07066	Hex Head Cap Screw	8	
32	670400-00366	Bracket Assembly, Reaction Roller	1	
33	680701-00324	Cover Plate	1	
34.1	680708-00452	Vent Plug	1	
34.2	680701-00451	Cap	1	

Uncontrolled when printed or downloaded. Verify that this is the correct version before use. Reproduction of part or all the contents of the document is prohibited without written permission from PT. Bhumi Jepara Service

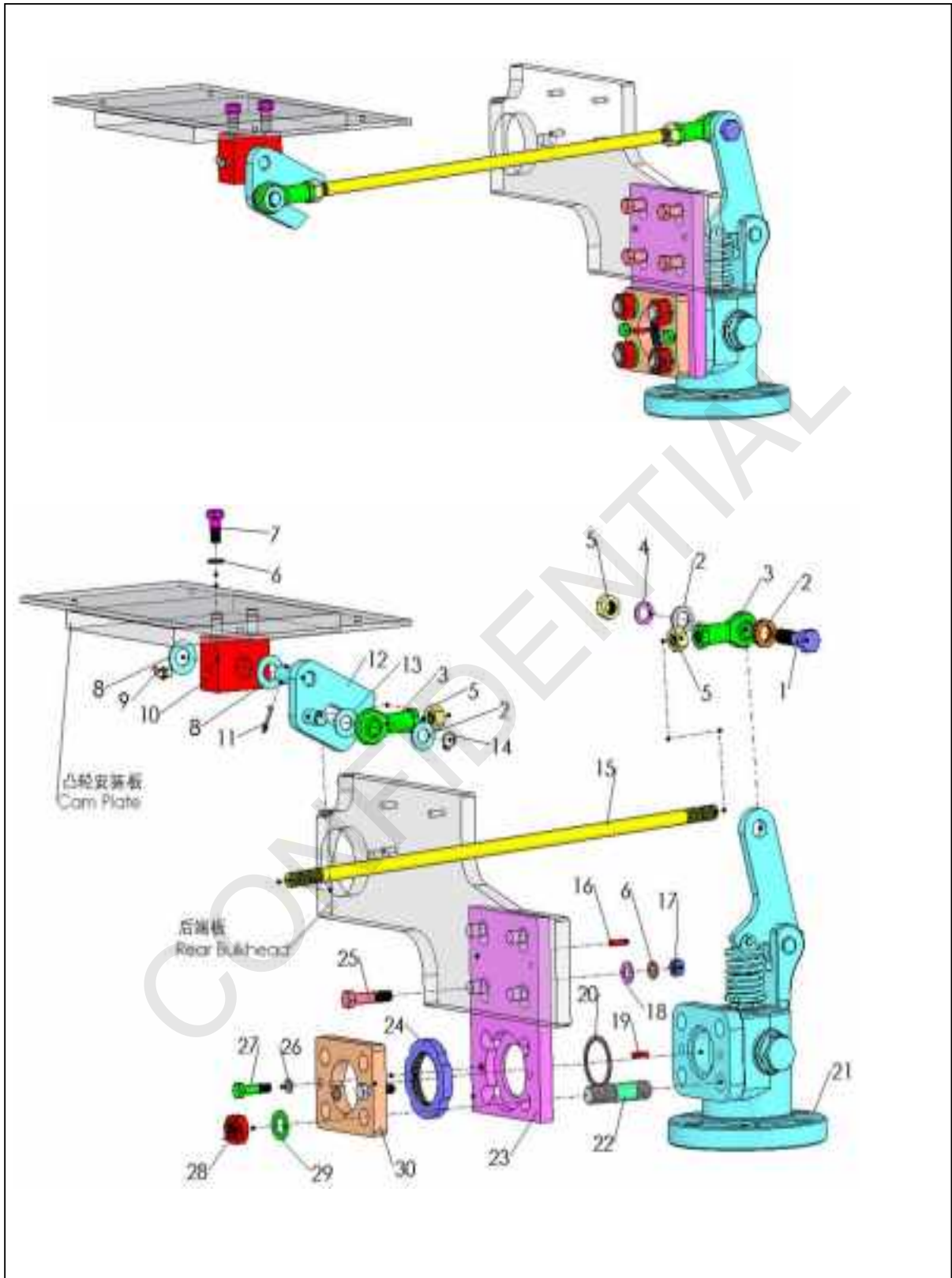
IK-555 Carriage				
ITEM	PART NO	DESCRIPTION	Qty	REMARK
35	680801-04001	Plug	1	
36	680201-07042	Hex Head Cap Screw	10	
37	680207-15002	Cover Plate Gasket	1	
38	680707-00355	Secondary Helix Spur Gear 53t	1	
39	680209-01063	Key, Secondary Helix Gear	1	
40	680206-02036	Split Lock Washer	2	
41	680201-07114	Socket Head Cap Screw	2	
42	680201-07078	Screw	2	
43	680703-00466	Bearing Retainer (Worm Shaft)	1	
44	680212-00012A	Oil Seal - Worm Shaft	1	
45.1	680206-15012	0.20 Shim	1	
45.2	680206-15013	0.10 Shim	1	
45.3	680206-15014	0.50 Shim	1	
46	680211-01035	Ball Bearing - Worm Shaft	2	
47	670400-00279	Bracket Assembly, Reaction Roller	1	
48	680701-00344	Trip Bar	1	
49	680802-14004	Oil Window	1	
50	680201-07180	Hex Head Cap Screw	4	
51	680206-02045	Split Lock Washer	8	
52	680705-00336A	Bearing Retainer (Lance Hub Rear)	1	
53	680207-15001	Bearing Retainer Gasket	5	
54	680211-01090	Ball Bearing - Pinion Shaft (Inboard)	1	
55	680212-00021A	Oil Seal - Pinion Shaft	1	
56	680703-00308	Pinion Shaft	1	
57	680211-01095	Ball Bearing (Special) - Pinion Shaft	1	
58	680207-02030	Retaining Ring - Pinion Shaft Bearing	1	
59	680207-15004	Gasket - Lance Hub Cover Plate	1	
60	680701-00302	Lance Hub Cover Plate	1	
61	680203-14012	Screw	4	
62	680707-00557	Pinion Bevel Gear	1	
63	680801-04002	Plug	3	
64	680207-03006	Retaining Ring - Lance Hub Bearing	1	
65	680211-01115	Ball Bearing - Lance Hub	2	
66	680702-00478	Lance Hub (Φ60 Feed Tube)	1	
	680702-00475	Lance Hub (Φ70 Feed Tube)		
67	680707-00556	Lance Hub Bevel Gear	1	
68	680209-01060	Key, Lance Hub Index	1	
69	680207-03003	Retaining Ring - Lance Hub Bevel Gear	1	
70	680702-00285	Lance Hub Spacer	1	

IK-555 Carriage				
ITEM	PART NO	DESCRIPTION	Qty	REMARK
71	680705-00354A	Bearing Retainer-Lance Hub Front	1	
72	680201-07183	Hex Head Cap Screw	4	
73	680209-02006	Key, Lance Hub Flange		Not provided with the carriage
74	680703-01654	Hub Flange		Not provided with the carriage
75	680801-05010	Packing	2	
76	680204-07050	Trip Stud, Limit Switch	1	
77	680703-00346	Trip Stud, Poppet Valve	1	670400-00343 Trip bar assembly
78	680701-00345	Lock Washer	1	
79	680202-11039	Nut	1	
80	680707-00548	Worm Shaft	1	
81	680703-00298	Worm Shaft Spacer	1	
82	680705-00292	Bearing Retainer	1	
83	680707-00359	Carriage Spur Gear, 39T, Worm Shaft,	1	V=2.5 M/Min
84	680209-01021	Key,Carriage & Motor Spur Gears	1	
85	680207-01012	Retaining Ring, Carriage Spur Gear	1	
86	680209-01012	Key, Motor	1	Not provided with the carriage
87	680207-01015	Retaining Ring - Motor Shaft	1	
88	680707-00358	Motor Spur Gear, 35T	1	V=2.5 M/Min
89	680703-00392	Spacer	1	
90	680207-15003	Housing Gasket (Change Gear)	1	
91	680201-07075	Hex Head Cap Screw	3	
92	680705-00306A	Change Gear Housing	1	
93	680207-15005	Motor Gasket	1	
94	680202-11027	Nut	4	
95	Per order	Motor	1	Not provided with the carriage
96	680210-01012	Lubricating Fitting	2	

**10.4 IK555 LANCE JOINT AND PACKING ASSEMBLY**

IK555 Lance Joint And Packing Assembly			331701-1033	
ITEM	PART NO.	DESCRIPTION	QTY	REMARK
1	680801-05002A	Solid Packing Ring	1	For $\Phi 60$ Feed Tube
	680801-05004A	Solid Packing Ring		For $\Phi 70$ Feed Tube
	680801-05002C	Split Packing Ring		For $\Phi 60$ Feed Tube
	680801-05004C	Split Packing Ring		For $\Phi 70$ Feed Tube
2	680206-14001	Gasket	1	
3	680209-02006	Key	1	
4	680703-01654	Hub Flange	1	
5	680801-01004A	Bushing	1	For $\Phi 60$ Feed Tube
	680801-01002A	Bushing		For $\Phi 70$ Feed Tube
6	670400-00075	Packing Gland	1	For $\Phi 60$ Feed Tube
	670400-02311	Packing Gland		For $\Phi 70$ Feed Tube
7	680204-04024	Stud	2	For $\Phi 60$ Feed Tube
	680204-04012	Stud		For $\Phi 70$ Feed Tube
8	680201-07162	Bolt, Lance Flange	6	$\Phi 102$ Lance Tube
	68020-06024	Bolt, Lance Flange	6	$\Phi 127$ Lance Tube
9	680202-11033	Nut	4	For $\Phi 60$ Feed Tube
	680202-11027	Nut		For $\Phi 70$ Feed Tube
10	680206-05030	Washer	2	For $\Phi 60$ Feed Tube
	680206-05027	Washer		For $\Phi 70$ Feed Tube
11	680206-02042	Lock Washer	6	

### 10.5 IK555 BLOWING MEDIUM TURN-ON ASSEMBLY



IK-525/545 Blowing Medium Turn-on Assembly - PI 3496

IK555 Blowing Medium Turn-On Assembly			PI 3496/Per Order	
ITEM	PART NO.	DESCRPTION	QTY	REMARK
1	680201-07192	Screw	1	Item 1-5 are included in cam arm assembly.DPMH updated designing in 2015.
2	680206-05036	Washer	3	
3	680211-31003	Rod Thrust Bearing , New Designing	2	
3.1	680701-00103	Block, Old Designing	1	
4	680206-02045	Lock Washer	1	
5	680202-11042	Screw	3	
6	680206-02036	Lock Washer	6	
7	680201-06008	Screw	2	
8	680206-14005	Washer	2	Item 1-5 and Item 8-15 are included in cam arm assembly.The length of cam arm is per order.DPMH have updated the cam arm assembly.DPMH updated designing in 2015.
9	680210-01009	Lubricating Fitting	1	
10	670400-00093	Pivot Block Assembly, Updated Designing		
11	680208-02012	Cotter Pin	1	
12	670500-03003	Cam Assy (Left Hand), New Designing	1	
	670500-03004	Cam Assy (Right Hand), New Designing		
12.1	670500-00098	Cam Assy (Left Hand), Old Designing	1	
	670500-00099	Cam Assy (Right Hand), Old Designing		
13	680703-00106	Washer	1	
14	680207-01006	Retainning Ring	1	
15	Per order	Popper Cam Arm	1	
16	680208-01036	Groove Pin	2	
17	680202-11033	Screw	4	
18	680206-04006	Washer	4	
19	680209-01012	Key	1	
20	680206-12006	Gasket, Ø60 Feed Tube	1	
	680206-12013	Gasket, Ø70 Feed Tube		
21	670200-00114	Poppet Valve Assy	1	For 600 Serie, Φ60 Feed Tube
	670200-00116	Poppet Valve Assy		For 600 Serie, Φ70 Feed Tube
	670200-00115	Poppet Valve Assy		For 900 Serie, Φ60 Feed Tube
	670200-00117	Poppet Valve Assy		For 900 Serie, Φ70 Feed Tube
22	680204-04051	Stud	4	
23	680701-00504	Mounting Bracket	1	For Φ60 Feed Tube
	680701-02249	Mounting Bracket	1	For Φ70 Feed Tube
24	680702-00156	Feed Tube Nut (Flange)	1	For Φ60 Feed Tube
	680702-00157	Feed Tube Nut (Flange)	1	For Φ70 Feed Tube
25	680201-07135	Screw	4	
26	680206-02033	Lock Washer	2	
27	680201-07075	Screw	2	
28	680202-17003	Nut	4	

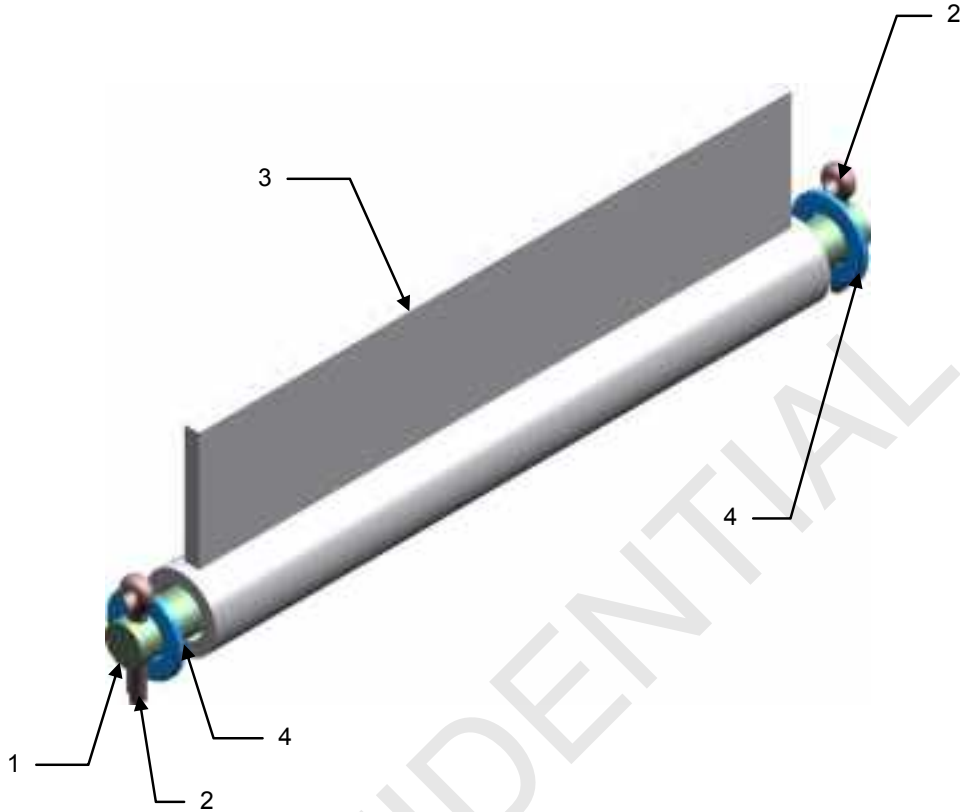
IK555 Blowing Medium Turn-On Assembly			PI 3496/Per Order	
ITEM	PART NO.	DESCRPTION	QTY	REMARK
29	680206-02051	Lock Washer	4	
30	680701-00153	Feed Tube Mounting Flange (Clamping Plate)	1	For $\Phi$ 60 Feed Tube
	680701-02251	Feed Tube Mounting Flange (Clamping Plate)	1	For $\Phi$ 70 Feed Tube

CONFIDENTIAL



**10.6 REAR SUPPORT ASSEMBLY**

<b>IK555 Rear Support Assembly</b>	<b>1806014-3086</b>
------------------------------------	---------------------

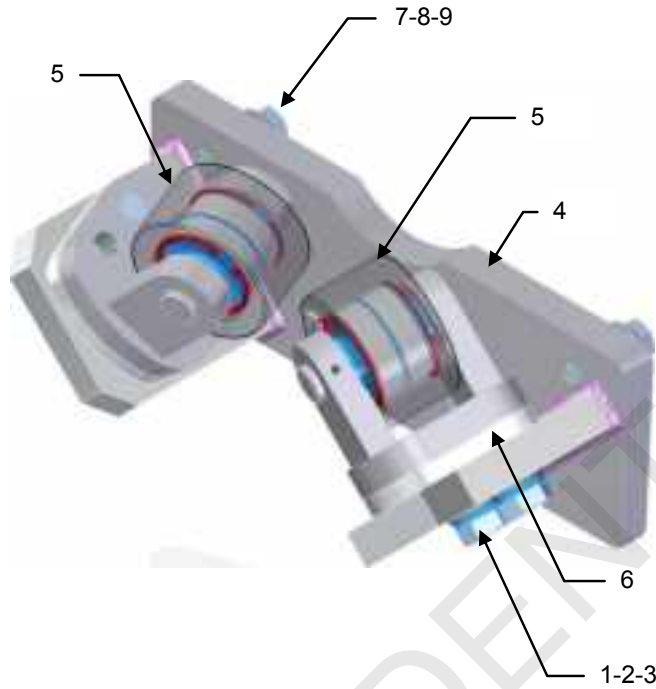


ITEM	PART NO.	DESCRIPTION	QTY	REMARK
1	680703-00406	Pin, Blower Support	1	
2	680208-02036	Split Pin	2	
3	718060-14033	Plate Assy	1	718060-14033
4	680206-03009	Plain Washer	2	

Uncontrolled when printed or downloaded. Verify that this is the correct version before use.  
 Reproduction of part or all the contents of the document is prohibited without written permission from PT. Bhumi Jepara Service

**10.7 FRONT SUPPORT ASSEMBLY - ROLLER ASSEMBLY**

<b>Front Support Assembly - Roller Assembly</b>	<b>670400-02332 4" Lance</b>
	<b>670400-02334 5" Lance</b>

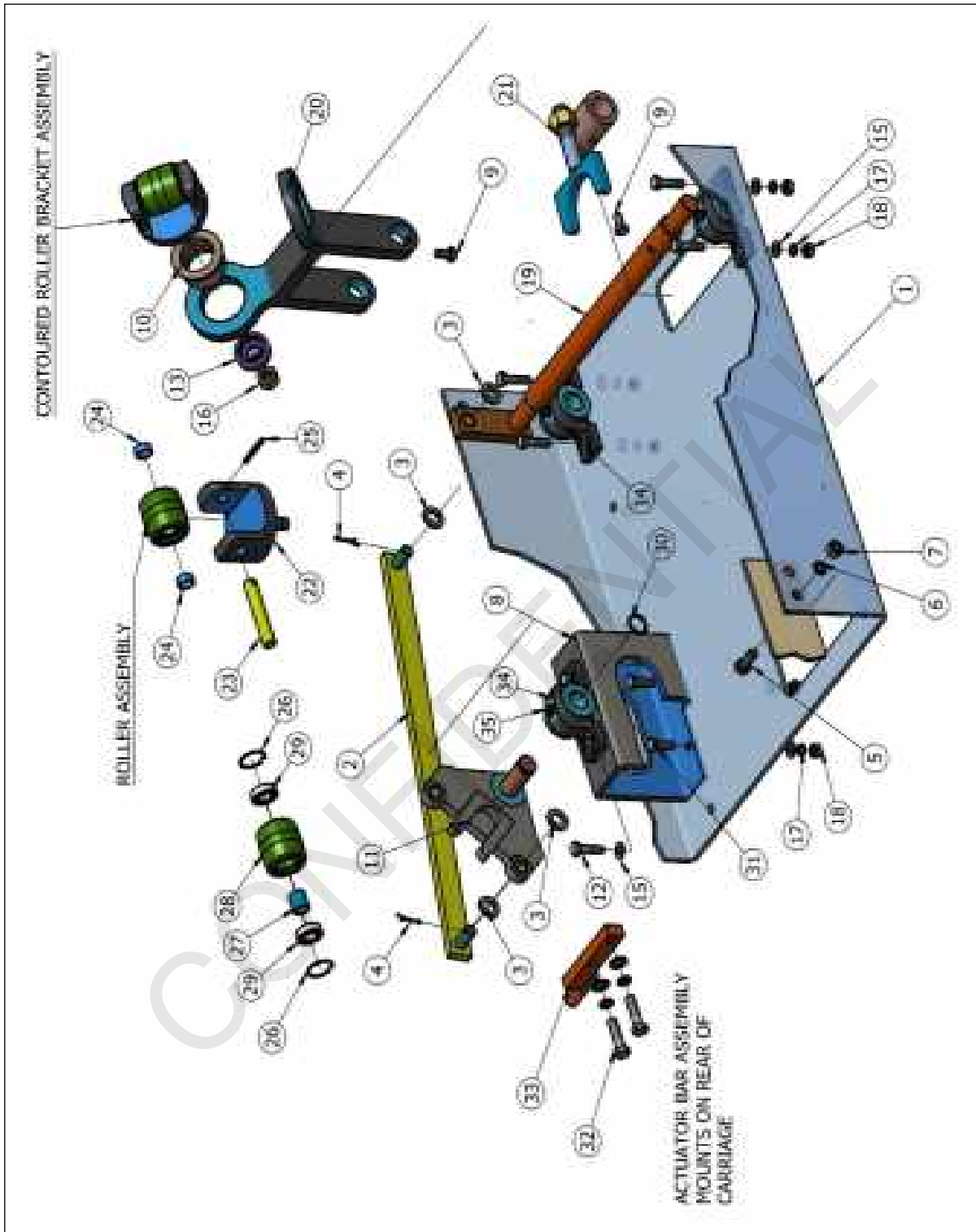


ITEM	PART NO.	DESCRIPTION	QTY	REMARK
1	680201-07232	Hex. Hd. Screw – Ø4" Lance	4	
	680201-07228	Hex. Hd. Screw – Ø5" Lance		
2	680206-04012	Washer	4	
3	680206-02051	Lockwasher	4	
4	670500-02011	Support Bracket Roller Assembly	1	
5	670400-02349	Roller & Bracket Assy	2	
6	680701-00823	Shim, Roller Bracket – Ø4" Lance only	2	
7	680201-07186	Hex. Hd. Screw	4	
8	680206-02045	Lockwasher	4	
9	680206-04008	Washer	4	

**10.8 IK555 FRONT SUPPORT ROLLER ASSEMBLY**

IK555 Front Support Roller Assembly			670400-02347	
ITEM	PART NO.	DESCRIPTION	QTY	REMARK
1	680705-02235A	Roller Bracket	1	
2	680703-02300	Roller Shaft	1	
3	680207-01018	Retaining Ring	2	
4	680703-02240	Spacer	2	
5	680206-05045	Washer	2	
6	680210-01012	Lubrication Fitting	1	
7	680703-02238	Spacer	1	Item 7-11 as roller assembly part number is :670400-02484
8	680703-02236	Roller, Standard	1	
9	680211-01060	Ball Bearing,6305 One Seal	2	
10	680207-02024	Retaining Ring	2	
11	680703-02237	Bearing Seal	2	
12	680701-00823	Shim, Front Roller Bracket	2	Used for Ø4" Lance Tubes Only
Need Two Assemblies For One Off IK-555.				

### 10.9 IK555 LANCE AND FEED TUBE AUXILIARY SUPPORT ASSEMBLY



IK555 Lance And Feed Tube Auxiliary Support Assembly

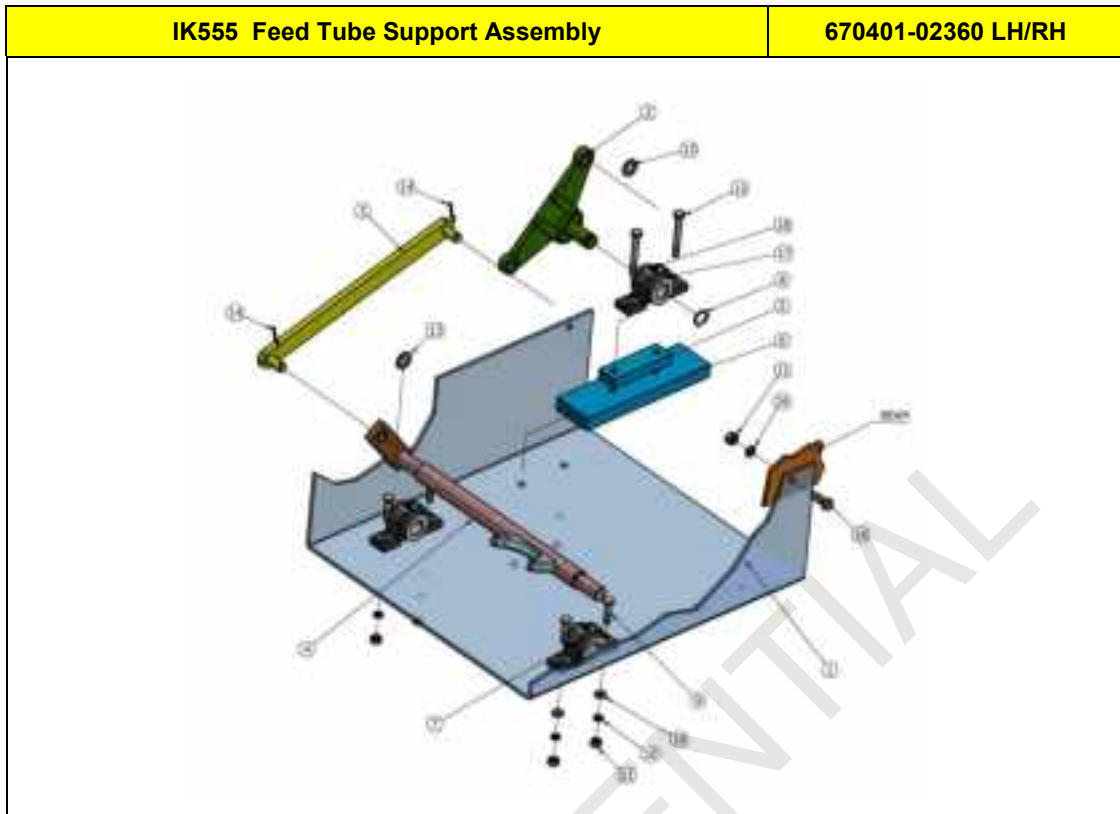
IK555 Lance And Feed Tube Auxiliary Support Assembly			Per order	
ITEM	PART NUMBER	DESCRIPTION	QTY	REMARK
1	680701-01623	Channel	1	
2	670500-01699	Lever Assy	1	
3	680206-05036	Washer	4	
4	680208-02009	Cotter Pin	2	
5	680201-07123	Hex Head Bolt	8	
6	680206-02036	Lock Washer	8	
7	680202-11033	Hex Nut	8	
8	680705-01635A	Support Block	1	
9	680201-07060	Hex Head Bolt	2	
10	680703-02286	Bearing Retainer Housing	2	For 5" Lance Tube
10	680703-02288	Bearing Retainer Housing	2	For 4" Lance Tube
11	670500-02364	Trigger Assy	1	
12	680201-07075	Hex Head Bolt	6	
13	680211-01020	Bearing	4	
14	680211-32003	Pillow Block	2	
15	680206-05027	Washer	6	
16	680202-12006	Hex Nut	2	
17	680206-02033	Lock Washer	12	
18	680202-11027	Hex Nut	10	
19	670500-01700	Shaft Assy, Feed Tube Support	1	
20	680705-02285	Support , Roller Bracket	1	
21	670404-01698	Feed Tube Support	1	For Ø 70 Feed Tube
	670402-01700	Feed Tube Support		For Ø 60 Feed Tube
22	680705-02277A	Roller Bracket	2	For 5" Lance Tube
22	680705-02278	Roller Bracket	2	For 4" Lance Tube
23	680703-02280	Roller Shaft	2	
24	680703-02281	Spacer	4	
25	680208-01039	Roll Pin	2	
26	680207-02006	Retaining Ring	4	
27	680703-02279	Spacer	2	
28	680703-02278	Roller	2	For 5" Lance Tube
	680703-02277	Roller		For 4" Lance Tube
29	680211-01025	Bearing	4	
30	680207-01018	Retaining Ring	1	
31	680201-07069	Hex Head Bolt	2	
32	680201-07066	Hex Head Bolt	2	
33	670500-01704	Actuator Assy	1	
34	680211-32004	Pillow Block	1	
35	680210-01012	Oil Fitting	1	

Uncontrolled when printed or downloaded. Verify that this is the correct version before use.  
 Reproduction of part or all the contents of the document is prohibited without written permission from PT. Bhumi Jepara Service

IK555 Lance And Feed Tube Auxiliary Support Assembly			Per order	
ITEM	PART NUMBER	DESCRIPTION	QTY	REMARK
Note	670403-02364	Lance And Feed Tube Auxiliary Support Assembly, LH	1	4" Lance tube, Ø70 Feed
	670404-02364	Lance And Feed Tube Auxiliary Support Assembly, RH		
	670401-02364	Lance And Feed Tube Auxiliary Support Assembly, LH		5" Lance tube, Ø70 Feed
	670402-02364	Lance And Feed Tube Auxiliary Support Assembly, RH		
	670401-02367	Lance And Feed Tube Auxiliary Support Assembly, LH		5" Lance tube, Ø60 Feed
	670402-02367	Lance And Feed Tube Auxiliary Support Assembly, RH		
	670401-02365	Lance And Feed Tube Auxiliary Support Assembly, LH		4" Lance tube, Ø60 Feed
	670402-02365	Lance And Feed Tube Auxiliary Support Assembly, RH		

CONFIDENTIAL

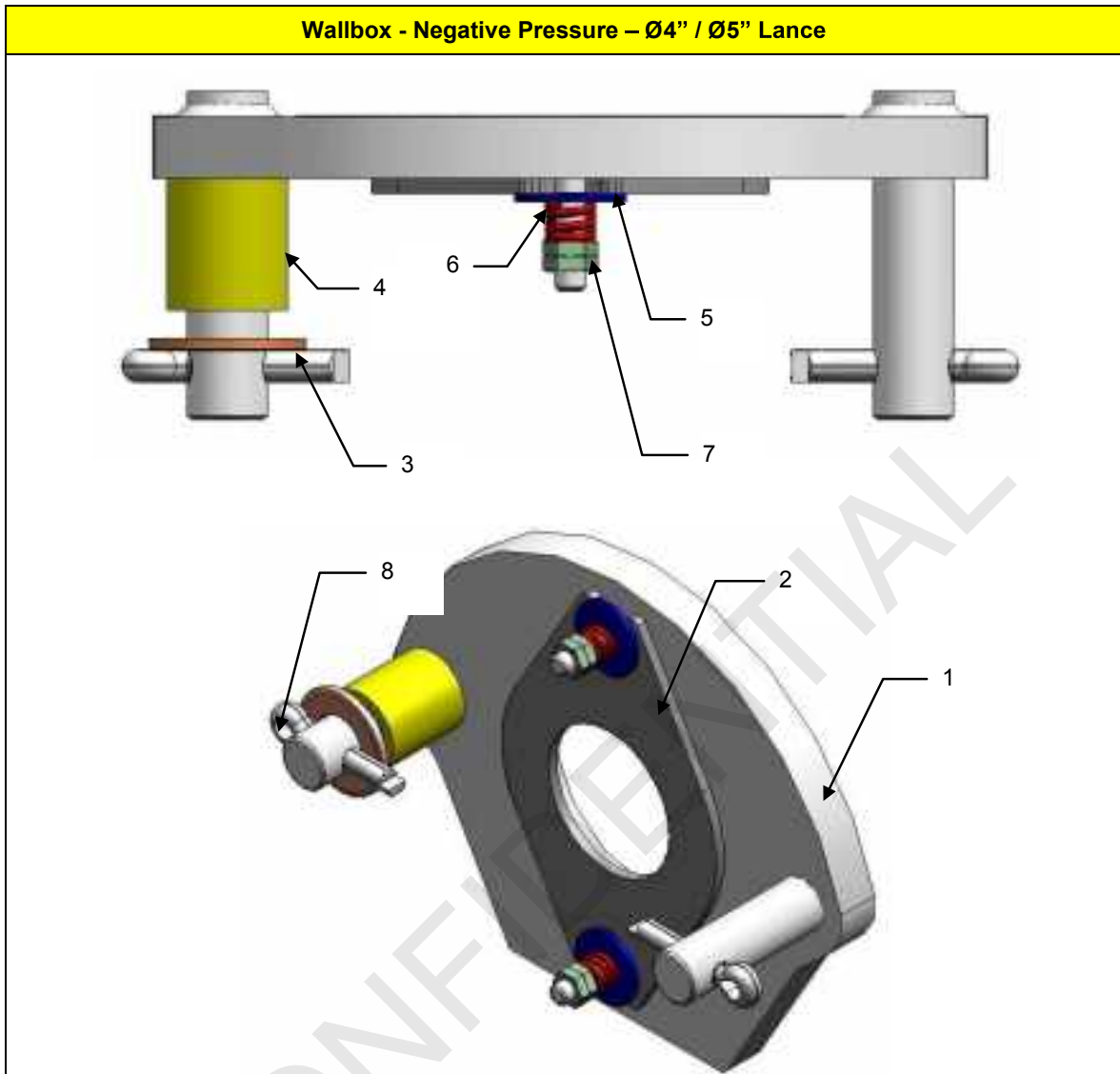
**10.10 IK-555 FEED TUBE SUPPORT ASSEMBLY**



ITEM	PART NO	DESCRIPTION	QTY	REMARK
1	680701-02277	Channel	1	
2	670500-02361	Trigger Assy	1	
3	670500-02360	Lever Assy	1	
4	670500-02362	Shaft Assy, Feed Tube Support	1	
5	680701-02271	Spacer	1	
6	680701-02270	Spacer	1	
7	680211-32003	Pillow Block	2	
8	680207-01018	Retaining Ring	1	
9	680201-07075	Hex Head Bolt	4	
10	680206-02033	Lock Washer	10	
11	680202-11027	Hex Nut	10	
12	680201-07096	Hex Head Bolt	2	
13	680206-05036	Washer	2	
14	680208-02009	Cotter Pin	2	
15	680201-07072	Hex Head Bolt	4	
16	680206-05027	Pillow Block	4	
17	680211-32004	Pillow Block	1	
18	680210-01012	Oil Fitting	1	



**10.11 WALLBOX - NEGATIVE PRESSURE – Ø4”/ Ø5” LANCE**



ITEM	PART NO.	DESCRIPTION	QTY	REMARK
1	670500-02001	Flange Arrangement, 4" Lance	1	
	670500-03121	Flange Arrangement, 5" Lance	1	
2	680701-03133	Seal Plate, 4" Lance	1	
	680701-03132	Seal Plate, 5" Lance	1	
3	680206-04014	Washer	1	
4	670500-03013	Spacer	1	
5	680206-14008	Washer	2	
6	680801-03002	Compression Spring	2	
7	680202-11033	Nut	4	
8	680208-02050	Split Pin	2	
Note	670400-02015	Wallbox - Negative Pressure – Ø4" Lance		
	670400-02017	Wallbox - Negative Pressure – Ø5" Lance		

Uncontrolled when printed or downloaded. Verify that this is the correct version before use. Reproduction of part or all the contents of the document is prohibited without written permission from PT. Bhumi Jepara Service

**10.12 IK555 NEGATIVE PRESSURE WALLBOX ASSEMBLY (OPTIONAL)**

IK555 Negative Pressure Wallbox Assembly		670400-02368		
ITEM	PART NO.	DESCRIPTION	QTY	REMARK
1	680705-02292A	Wallbox	1	
2	670400-00013	Sealing Ring Assembly	2	
3	680701-02295	Cover Plate	1	
4	680206-02033	Lock Washer	6	
5	680201-07066	Screw	6	
6	680802-11006	Plug Screw	1	
7	680701-02299	Shim Cover	A/R	

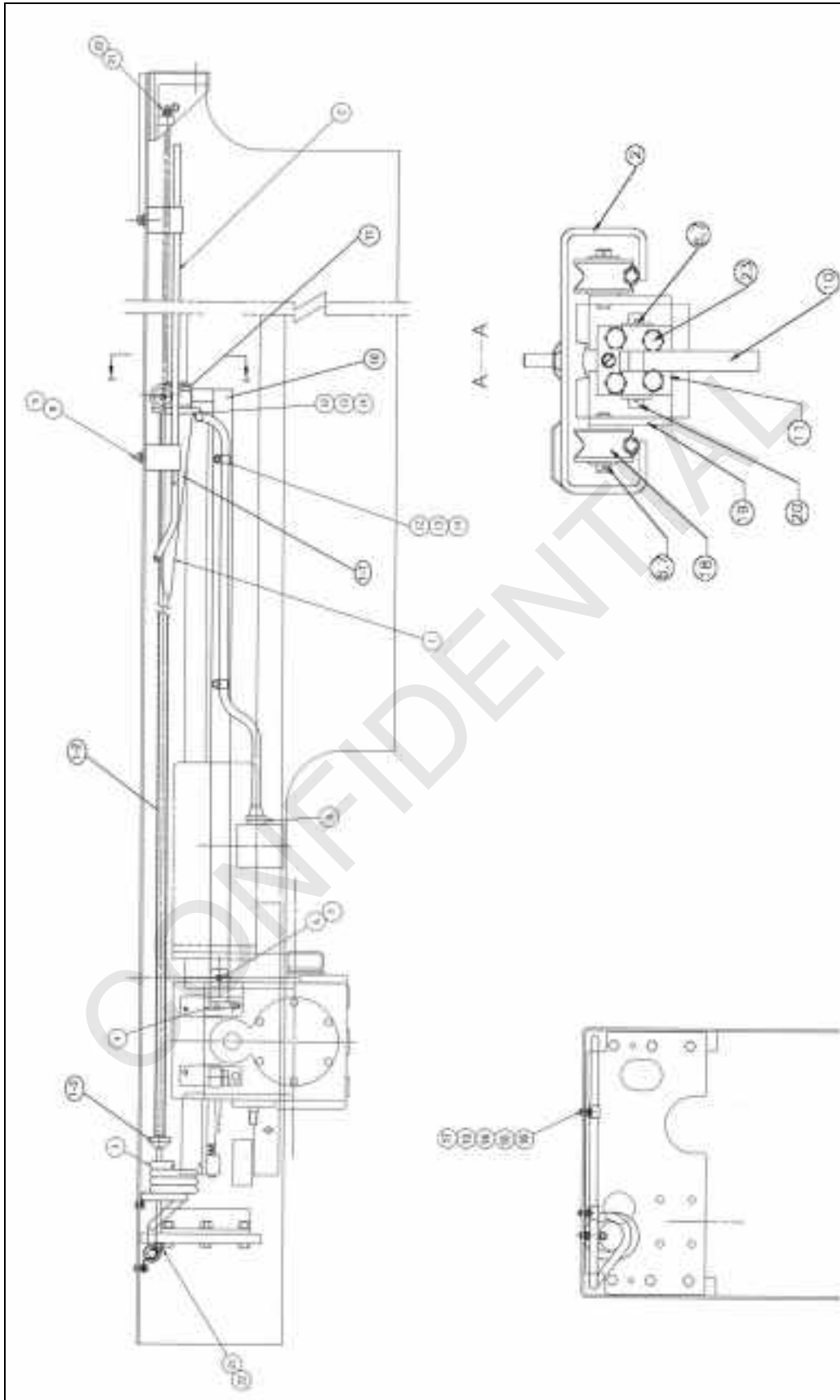
**10.13 IK555 POPPET VALVE, AIR RELIEF VALVE AND PIPING**

<b>IK555 Poppet Valve, Air Relief Valve And Piping</b>	<b>PI8001</b>
--	---------------



ITEM	PART NO.	DESCRIPTION	QTY	REMARK
1	PER ORDER	Poppet Valve	1	600# / 900#
2	680802-03013	Nipple Tube	1	
3	680802-04028	Tee	1	
4	680802-11011	Plug	1	
5	680802-03016	Nipple Tube	1	
6	670300-00250	Air Relief Valve ( Disc )	1	
	670300-00544	Air Relief Valve ( Ball )		
	670300-00851	Air Relief Valve ( 20n )	1	20NB
7	680802-04028	Elbow		

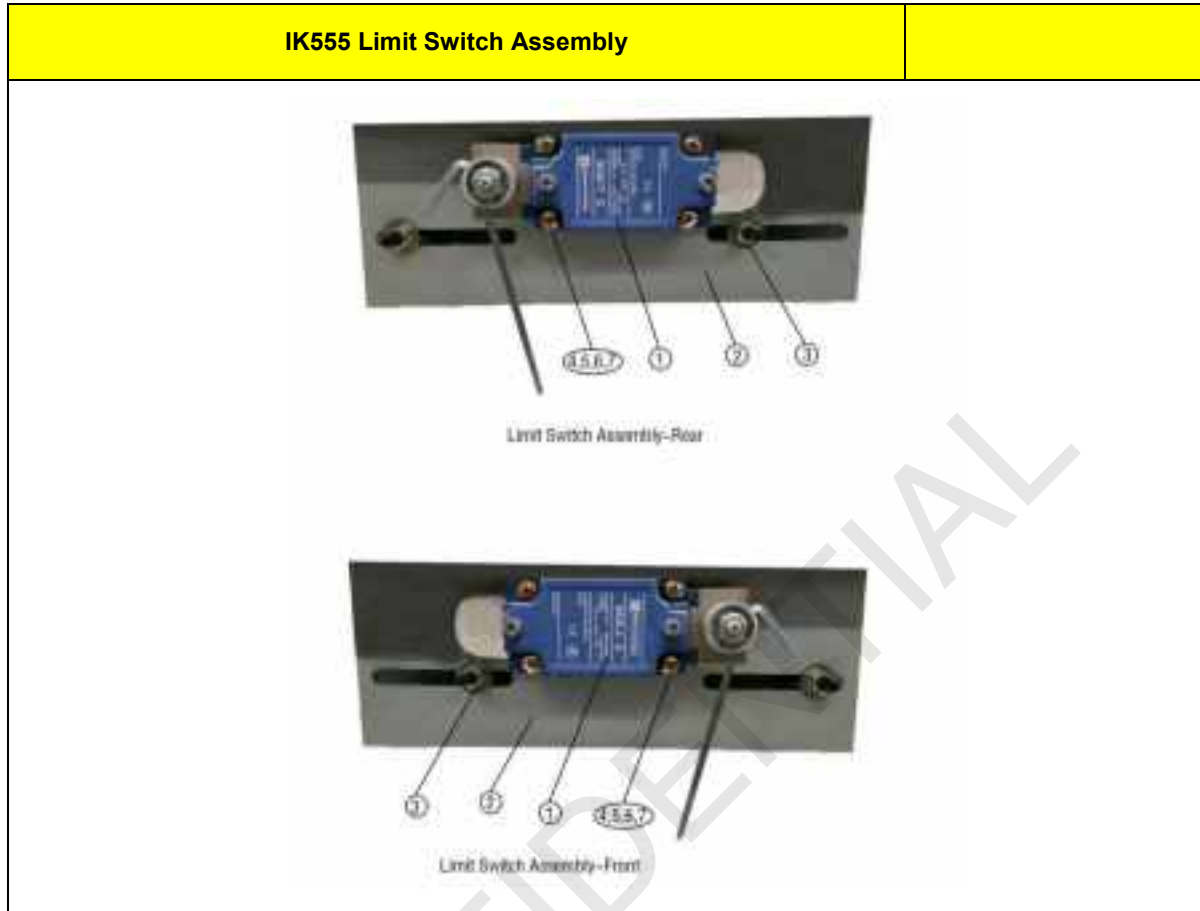
### 10.14 IK555 EXPANDA CABLE ASSEMBLY



## IK555 Expanda Cable Assembly

IK-555 Expanda Cable Assembly			LH: 670403-02351 RH: 670404-02352	
ITEM	PART NO.	DESCRIPTION	QTY	REMARK
1	670500-02353	Loop Control Assy	1	
1-1	680705-00183A	Cone	1	
1-2	680702-01674	Cone Extension	1	
1-3	680801-02002	Knob	1	
2	670400-02356	Track Assy	1	
3	680412-20965	Expanda Cable Assembly-Lh	1	Not Included In This Assembly. Need Order Separately.
	680412-20966	Expanda Cable Assembly-Rh		
4	670500-02358	Mounting Bracket Assembly-Lh	1	
	670500-02357	Mounting Bracket Assembly-Rh		
5	680407-01009	Wire Terminal End	1	
6	680206-05030	Washer	6	
7	680208-02009	Cotter Pin	5	
8	680206-02033	Lock Washer	AR	
9	680202-11031	Nut	AR	
10	680701-02344	Tow Bar	1	
11	680801-02007	Block	1	
12	680201-07009	Screw	AR	
13	680206-04004	Washer	AR	
14	680701-00168	Cable Clamp	AR	
15	680206-02015	Lock Washer	AR	
16	680201-07024	Screw	AR	
17	680202-11015	Nut	AR	
18	680801-02005	Wheel	2	
19	670500-02355	Bracket Assy	1	
20	680703-02258	Pin	2	
21	680202-11030	Nut, Brass	4	
22	680206-05027	Washer	2	
23	680201-07087	Screw	4	

**10.15 IK555 LIMIT SWITCH ASSEMBL**



ITEM	PART NO.	DESCRIPTION	QTY	REMARK
1	680408-14022	Limit Switch	1	
2	670500-01469	Mounting Plate	1	
3	670400-01558	Hardware of Mounting Plate	2	
3-1	680201-07032	Screw	2	
3-2	680206-02015	Lock Washer	2	
3-3	680202-11015	Nut	2	
3-4	680206-04004	Flat Washer	2	
4	680203-13054	screw	4	
5	680206-02012	Lock Washer	4	
6	680206-05015	Flat Washer	4	
7	680202-11012	Nut	4	

**10.16 IK555 SPECIAL TOOLS**



ITEM	PART NO.	DESCRIPTION	QTY	REMARK
1	680801-10006	Valve Spring Depressing Tool	1	Ref: 307025-1024
2	680801-01650	Valve Packing Nut Spanner	1	Ref: 312227-1129
3	LAP-KIT-40bar	Valve Lap kit	1	
3-1	680801-10019	Wobble Stick	1	
3-2	680705-01651	Roughing Lapping Disc	1	
3-3	680705-01650	Finishing Lapping Disc	1	
4	680801-10008	Ø60 Feed Tube Packing Tool	1	Ref: 306761-0117
	680801-10010	Ø70 Feed Tube Packing Tool		Ref: 341409-1029
5	680801-10004	Manual Crank	1	
6	680801-09015	Pressure Gauge Assembly	1	Ref: 396970-010A
7	680802-25021	Emergency Pneumatic Retracting Device	1	
8	714060-33804	Ratchet Wrench	1	
9	680801-04010	Socket Extension	1	

Uncontrolled when printed or downloaded. Verify that this is the correct version before use. Reproduction of part or all the contents of the document is prohibited without written permission from PT. Bhumi Jepara Service



► **IK525/545-EL Extended Lance Retractable Sootblower**

Instruction Manual

Parts Identification Manual



For more than 100 years...

Trusted for experience. Preferred for performance.



© 2018 B&W Diamond Power Machine (Hubel) Co. Inc.

IK525/545-EL(DPMH-ENG)  
Revision 2.0  
August, 2018

## 9 RECOMMENDED SPARE PARTS LIST

The intent of the list on the following page is to identify the minimum number of spare parts Diamond Power recommends be kept on hand to minimize cleaner downtime, in the event maintenance is required. The quantity of parts may vary depending on how critical the cleaner operation is to the plant performance, and company policy. Diamond Power recommends you review the entire manual, evaluate your operations, and then determine which parts are essential for your operational needs.

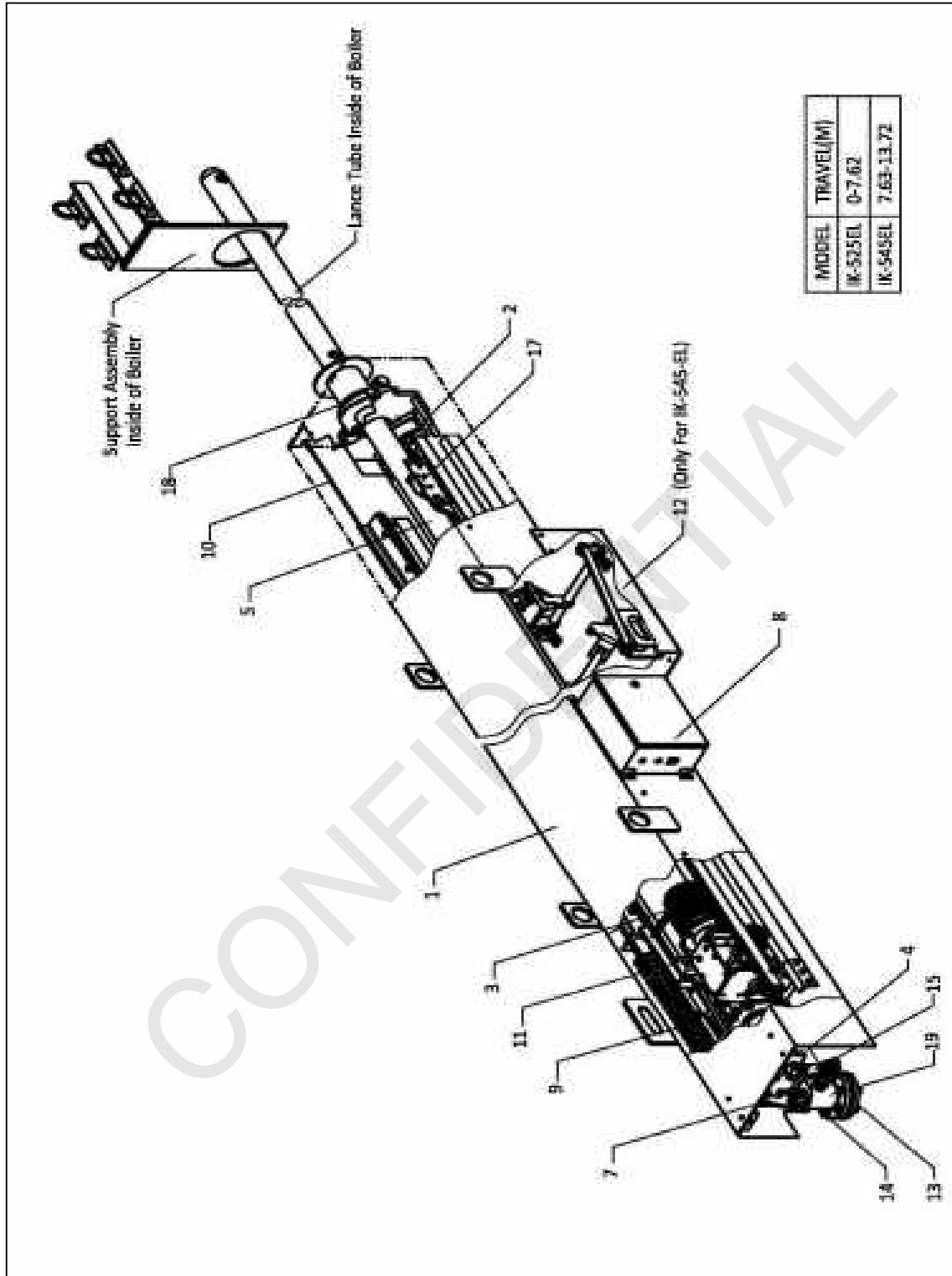
**Table 9.1 IK525-EL Recommended Spare Parts List**

PART NUMBER	QUANTITY/PER SB	DESCRIPTION
LH: 670100-00507 RH: 670100-00508	1	Carriage Assembly
718060-14903	1	Electric Motor
670405-01689	1	Lance Joint And Packing Assy
680206-14001	1	Gasket, Lance Tube
680801-05002A	1	Packing
680801-05004A	1	Packing
LH:670204-00107 RH:670203-00107:	1	Turn On Assembly
Per Order	1	Cam And Arm Assembly(R)
Per Order	1	Cam And Arm Assembly(L)
670200-00114	1	Poppet Valve Assembly
718060-14068	1	Feed Tube Assembly
670300-00851	1	Valve, Air Relief, Assembly
Per Order	1	Limited Switch
718060-14952	1	Terminal Box
680412-21025	1	Expanda cable, LH
680412-21026	1	Expanda cable, RH
670400-00018	2	Front Support And Roller Assembly
670400-02012	1	Wallbox Assembly
670400-01045	1	Companion Flange And Hardware

**10 PARTS IDENTIFICATION MANUAL LIMIT SWITCH**

<b>IK525-EL Engineered Parts list for 1806014/1806015 (N12035) Tanjung Jati Project</b>				
<b>ITEM</b>	<b>PART NO.</b>	<b>DESCRIPTION</b>	<b>QTY</b>	<b>REMARK</b>
1	718060-14903	Motor	1	
2	670100-00507	Carriage Assembly, LH		Position: 116R-117R,122L-125L
3	670100-00508	Carriage Assembly, RH	1	Position: 116L-117L,122R-125R
4	718060-14A69	Lance Tube Assembly( Include Outer Lance and Lance Extension)	1	Position: 116L/R,122L/R,123L/R
4.1	718060-14311	Outer Lance		
4.2	718060-14312	Lance Extension		
5	718060-14B69	Lance Tube Assembly( Include Outer Lance and Lance Extension)	1	Position: 117L/R,124L/R,125L/R
5.1	718060-14311	Outer Lance		
5.2	718060-14313	Lance Extension		
6	718060-14068	Feed tube	1	
7	670200-00117	Poppet Valve Assy	1	
8	680704-00237	Companion Flange	1	
9	670400-01045	Hardware, Companion Flange	1	
10	718060-14067	Suspension rod lengths	1	
11	680412-21025	Expanda Cable, LH	1	Position: 116R-117R,122L-125L
12	680412-21026	Expanda Cable, RH		Position: 116L-117L,122R-125R
13	670300-00851	Air Relief Valve, 20NB	1	

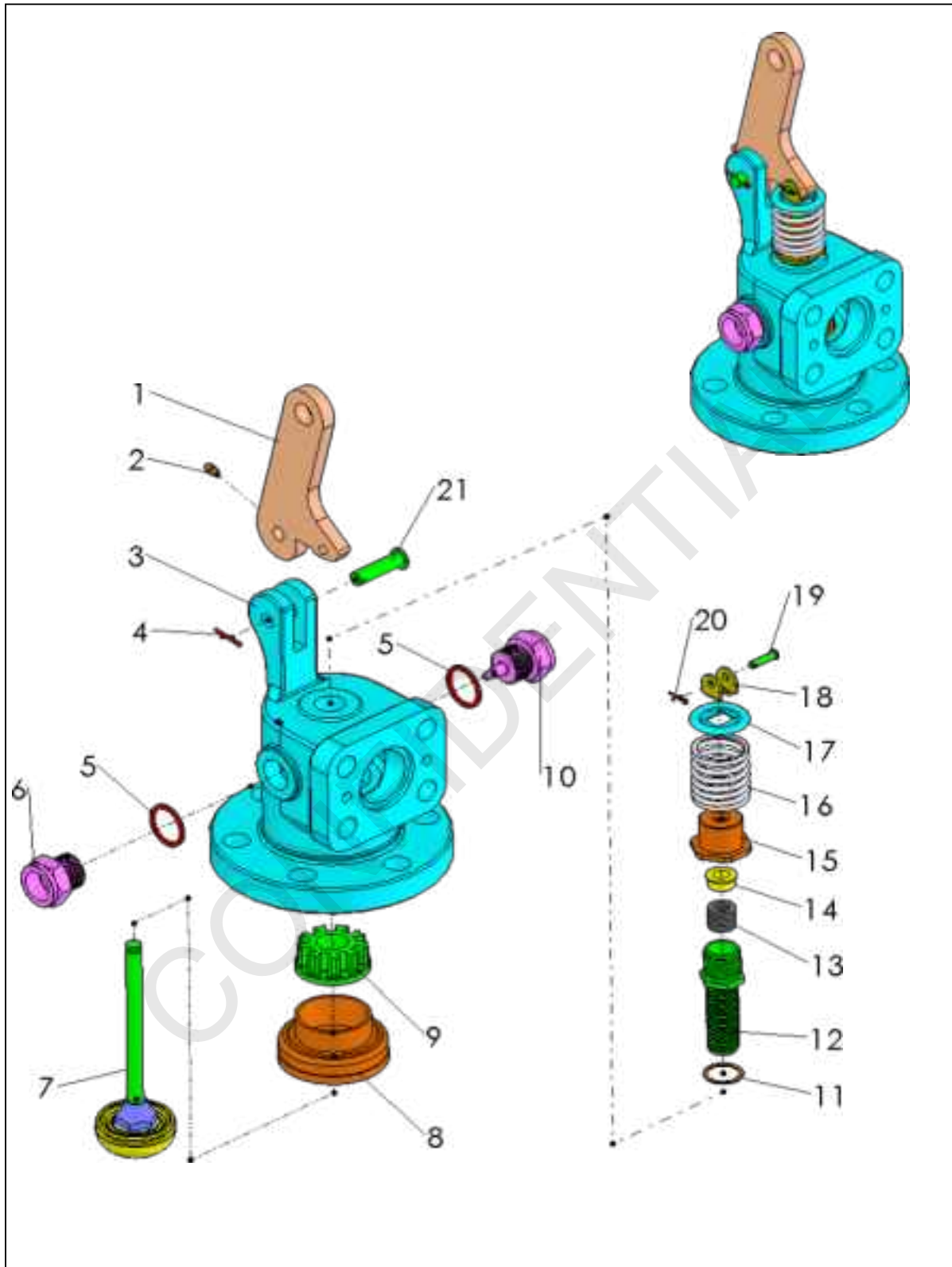
10.1 IK525/545-EL SOOTBLOWER ASSEMBLY



IK525/545-EL Sootblower Assembly - PI 3990

IK525/545-EL Sootblower Assembly			PI 3990	
ITEM	PART NO	DESCRIPTION	QTY	REMARK
1	718060-14061	Beam Assy,Rh/Lh, Carbon Steel	1	
2	670400-00038	Front Support Roller Assy	1	For Ø89 Lance Tube
3	718060-14903	Motor 1.1kw	1	
4	718060-14068	Feed Tube	1	
5	718060-14A69	Lance And Nozzle Assy	1	Extended lance: 304SS
	718060-14B69	Lance And Nozzle Assy		Extended lance: T11
6	670405-01689	Lance Joint And Packing Assy	1	For Ø60 Feed Tube, Ø89 Lance Tube
7	670204-00107	Turn-On Assy, S-600, LH	1	
	670203-00107	Turn-On Assy, S-600, RH		
8	718060-14952	Electric Terminal Box Assy	1	
9	670400-00178	Expanda Cable Assy (Left)	1	
	670400-00177	Expanda Cable Assy (Right)		
10	718060-14067	Suspension Rod Assy	1	
11	670100-00507	Carriage Assy (Left)	1	
	670100-00508	Carriage Assy (Right)		
12	670401-01705	Lance And Feed Tube Auxiliary Support Assy (Left)	1	No needed for this order
	670401-01697	Lance And Feed Tube Auxiliary Support Assy (Right)		No needed for this order.
13	680704-00237	Companion Flange	1	For 600 Serie
14	670400-01045	Companion Flange, Hardware	1	For 600 Serie
15	670302-40254	Air Relief Valve And Piping	1	20NB
16	Per Order	Pressure Switch Assy	A/R	No needed in this order
17	Per Order	Limit Switch	2	
18	670400-02012	Negative Pressure Wallbox Assy	1	
19	670200-00114	Poppet Valve Assy	1	For 600 Serie, Ø60 Feed Tube
20	680412-21025	Expanda Cable, LH	1	
	680412-21026	Expanda Cable, RH		

### 10.2 IK525/545-EL POPPET VALVE ASSEMBLY

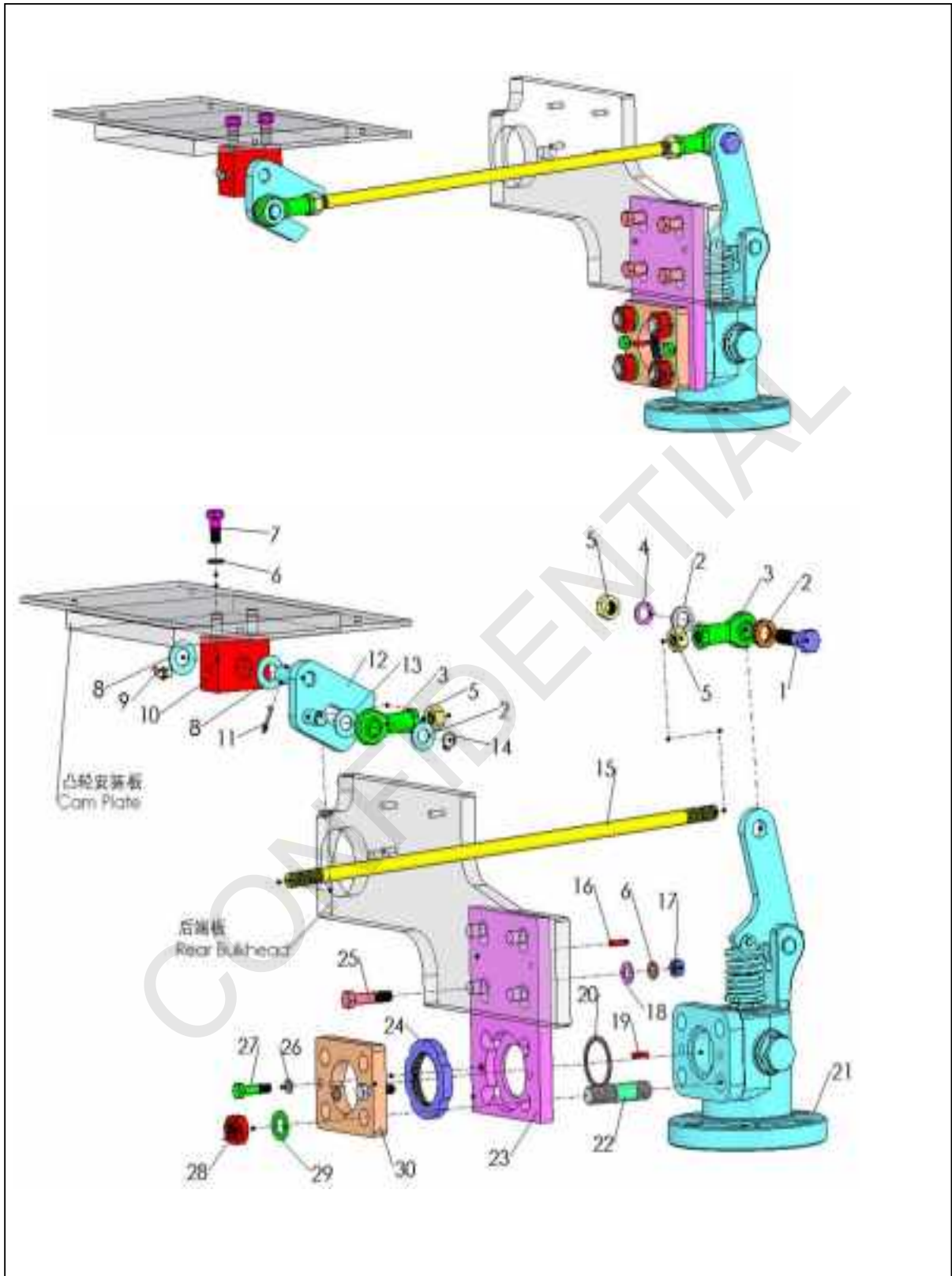


IK525/545-EL Poppet Valve Assembly - PI 4134

IK525/545-EL Poppet Valve Assembly			670200-00114	
ITEM	PART NO	DESCRIPTION	QTY	REMARK
1	680701-00145	Trigger	1	
2	680210-01006	Lubricating Fitting	1	
3	680705-00122	Poppet Valve Body 600#	1	For $\Phi$ 60 Feed Tube
4	680208-02009	Cotter Pin	1	
5	680206-12007	Gasket(Copper)	3	
6	680703-00460	Npt Adapter	1	
7	670200-00513	Valve Steam & Disc Assy 600#	1	
8	680705-00124	Flexible Valve Seat 600	1	For 600 Serie
9	680705-00127A	Control Disc	1	
10	680703-00601	Lockpin Plug	2	
11	680206-12008	Valve Stem Guide Washer	1	
12	680703-00611	Valve Stem Guide	1	
13	680801-05003A	Valve Stem Packing	1	
14	680703-00134	Packing Washer	1	
15	680801-01003	Valve Stem Packing Nut	1	
16	680801-03005	Spring	1	
17	680701-00136	Spring Retainer	1	
18	680801-06001	Valve Yoke	1	
19	680703-00141	Valve Yoke Pin	1	
20	680208-02006	Cotter Pin	1	
21	680703-00143	Trigger Pin	1	



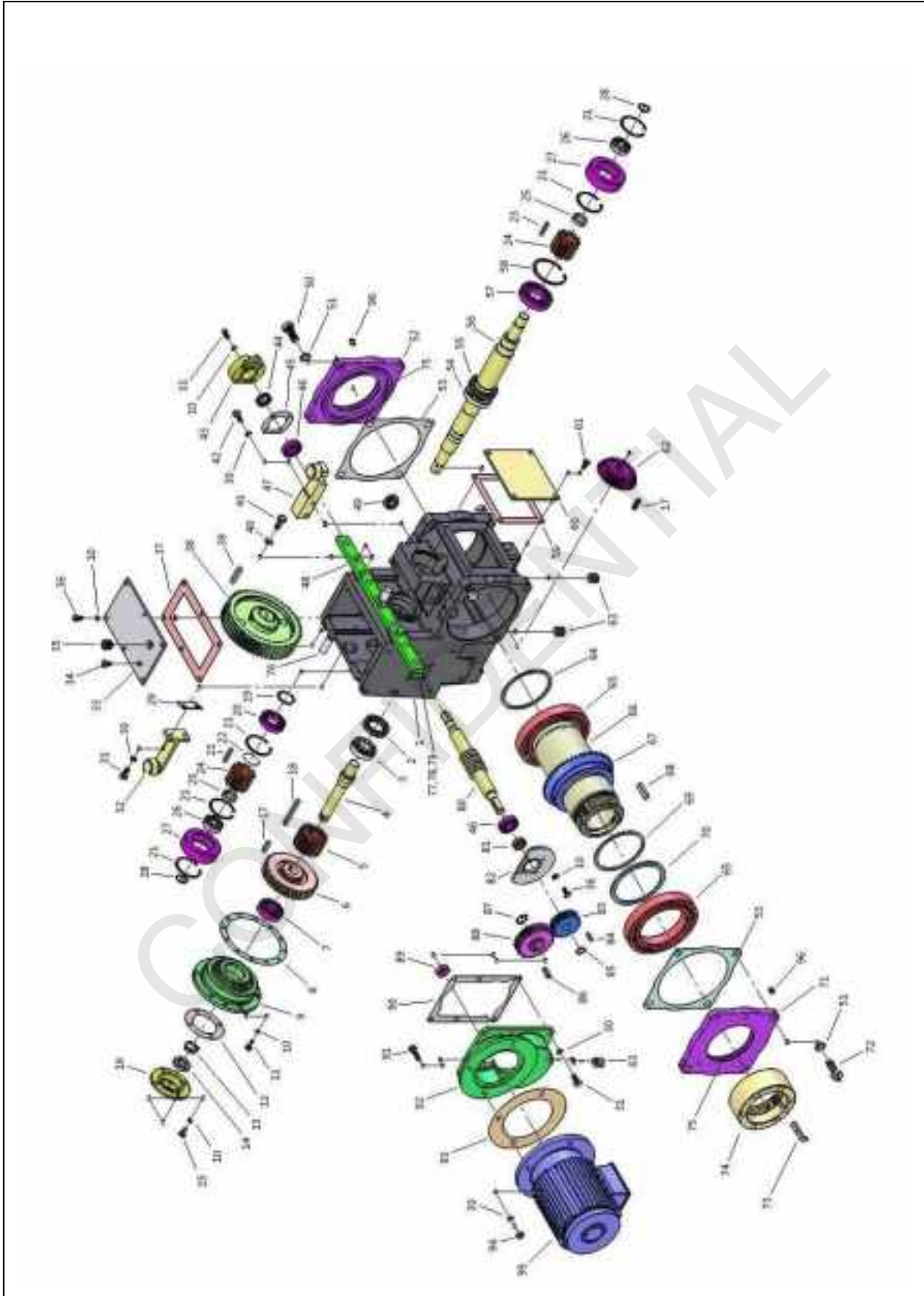
### 10.3 IK525/545-EL BLOWING MEDIUM TURN-ON ASSEMBLY



IK525/545-EL Blowing Medium Turn-on Assembly - PI 3496

IK525/545-EL Blowing Medium Turn-on Assembly			PI 3496/Per order	
ITEM	PART NO.	DESCRIPTION	QTY	REMARK
1	680201-07192	Screw	1	Item 1-5 are included in cam arm assembly.
2	680206-05036	Washer	3	
3	680211-31003	Rod Thrust Beraing	2	
4	680206-02045	Lock Washer	1	
5	680202-11042	Screw	3	
6	680206-02036	Lock Washer	6	
7	680201-06008	Screw	2	
8	680206-14005	Washer	2	Item 1-5 and Item 8-15 are included in cam arm assembly. The length of cam arm is per order.
9	680210-01009	Lubricating Fitting	1	
10	670400-00093	Pivot Block Assembly, Updated Designing		
11	680208-02012	Cotter Pin	1	
12	670500-03003	Cam Assy (Left Hand)	1	
	670500-03004	Cam Assy (Right Hand)		
13	680703-00106	Washer	1	
14	680207-01006	Retainning Ring	1	
15	Per order	Popper Cam Arm	1	
16	680208-01036	Groove Pin	2	
17	680202-11033	Screw	4	
18	680206-04006	Washer	4	
19	680209-01012	Key	1	
20	680206-12006	Gasket, Ø60 Feed Tube	1	
21	670200-00114	Poppet Valve Assy	1	For 600 Serie, Ø60 Feed Tube
22	680204-04051	Stud	4	
23	680701-00504	Mounting Bracket	1	For Ø60 Feed Tube
24	680702-00156	Feed Tube Nut (Flange)	1	For Ø60 Feed Tube
25	680201-07135	Screw	4	
26	680206-02033	Lock Washer	2	
27	680201-07075	Screw	2	
28	680202-17003	Nut	4	
29	680206-02051	Lock Washer	4	
30	680701-00153	Feed Tube Mounting Flange (Clamping Plate)	1	For Ø60 Feed Tube

### 10.4 IK525/545-EL CARRIAGE ASSEMBLY



IK525/545-EL Carriage Assembly - PI 3575

IK-525EL Carriage				
ITEM	PART NO	DESCRIPTION	Qty	REMARK
1	680705-00276A	Housing	1	
2	680212-00018A	Oil Seal	1	
3	680211-01065	Ball Bearing - Primary Helix Gear Shaft	1	
4	680703-00365	Lance Drive Shaft	1	
5	680707-00369	Primary Helix Spur Gear 20t	1	
6	680707-00385A	Worm Gear 40:1	1	
7	680211-01061	Ball Bearing - Primary Helix Gear Shaft	1	
8.1	680206-15018	0.10 Shim (Blue)	1	
8.2	680206-15019	0.20 Shim (Transparent)	1	
8.3	680206-15020	0.50 Shim (Yellow)	2	
9	680705-00278A	Bearing Carrier	1	
10	680206-02024	Lock Washer	24	
11	680203-04048	Socket Head Cap Screw	10	
12.1	680206-15015	Shim 0.10	1	
12.2	680206-15016	Shim 0.20	1	
12.3	680206-15017	Shim 0.50	1	
13	680206-07003	Bearing Lock Washer	1	
14	680202-07003	Bearing Lock Nut	1	
15	680203-04045	Socket Head Cap Screw	4	
16	680705-00370A	Bearing Retainer (Lance Drive Shaft)	1	
17	680209-01042	Key, Bevel Pinion	2	
18	680209-01048	Key	1	
19	680207-01033	Retaining Ring - Pinion Shaft Bearing	1	
20	680211-01085	Ball Bearing - Pinion Shaft	1	
21	680207-02024	Retaining Ring, Pinion Roller Bearing	5	
22	680212-00015A	Oil Seal	1	
23	680209-01024	Key	2	
24	680707-00322	Rack Drive Pinion	2	
25	680703-00352	Roller Spacer	2	
26	680211-01055	Bearing	2	
27	680703-00350	Roller	2	
28	680207-01018	Retaining Ring - Rack Pinion	2	
29	680701-00384	Shim - Roller Bracket	2	
30	680206-02033	Split Lock Washer	16	
31	680201-07066	Hex Head Cap Screw	8	
32	670400-00366	Bracket Assembly, Reaction Roller	1	
33	680701-00324	Cover Plate	1	
34.1	680708-00452	Vent Plug	1	
34.2	680701-00451	Cap	1	

IK-525EL Carriage				
ITEM	PART NO	DESCRIPTION	Qty	REMARK
35	680801-04001	Plug	1	
36	680201-07042	Hex Head Cap Screw	10	
37	680207-15002	Cover Plate Gasket	1	
38	680707-00357	Secondary Helix Spur Gear 59t	1	
39	680209-01063	Key, Secondary Helix Gear	1	
40	680206-02036	Split Lock Washer	2	
41	680201-07114	Socket Head Cap Screw	2	
42	680201-07078	Screw	2	
43	680703-00466	Bearing Retainer (Worm Shaft)	1	
44	680212-00012A	Oil Seal - Worm Shaft	1	
45.1	680206-15012	0.20 Shim	1	
45.2	680206-15013	0.10 Shim	1	
45.3	680206-15014	0.50 Shim	1	
46	680211-01035	Ball Bearing - Worm Shaft	2	
47	670400-00279	Bracket Assembly, Reaction Roller	1	
48	680701-00344	Trip Bar	1	
49	680802-14004	Oil Window	1	
50	680201-07180	Hex Head Cap Screw	4	
51	680206-02045	Split Lock Washer	8	
52	680705-00336A	Bearing Retainer (Lance Hub Rear)	1	
53	680207-15001	Bearing Retainer Gasket	5	
54	680211-01090	Ball Bearing - Pinion Shaft (Inboard)	1	
55	680212-00021A	Oil Seal - Pinion Shaft	1	
56	680703-00308	Pinion Shaft	1	
57	680211-01095	Ball Bearing (Special) - Pinion Shaft	1	
58	680207-02030	Retaining Ring - Pinion Shaft Bearing	1	
59	680207-15004	Gasket - Lance Hub Cover Plate	1	
60	680701-00302	Lance Hub Cover Plate	1	
61	680203-14012	Screw	4	
62	680707-00557	Pinion Bevel Gear	1	
63	680801-04002	Plug	3	
64	680207-03006	Retaining Ring - Lance Hub Bearing	1	
65	680211-01115	Ball Bearing - Lance Hub	2	
66	680702-00478	Lance Hub (Φ60 Feed Tube)	1	
	680702-00475	Lance Hub (Φ70 Feed Tube)		
67	680707-00556	Lance Hub Bevel Gear	1	
68	680209-01060	Key, Lance Hub Index	1	
69	680207-03003	Retaining Ring - Lance Hub Bevel Gear	1	
70	680702-00285	Lance Hub Spacer	1	

IK-525EL Carriage				
ITEM	PART NO	DESCRIPTION	Qty	REMARK
71	680705-00354A	Bearing Retainer-Lance Hub Front	1	
72	680201-07183	Hex Head Cap Screw	4	
73	680209-02003	Key, Lance Hub Flange , Φ89 Lance Tube	1	Not provided with the carriage
74	680702-00479	Hub Flange(Φ89mm Lance)	1	Not provided with the carriage
75	680801-05010	Packing	2	
76	680204-07050	Trip Stud, Limit Switch	1	
77	680703-00346	Trip Stud, Poppet Valve	1	670400-00343 Trip bar assembly
78	680701-00345	Lock Washer	1	
79	680202-11039	Nut	1	
80	680707-00548	Worm Shaft	1	
81	680703-00298	Worm Shaft Spacer	1	
82	680705-00292	Bearing Retainer	1	
83	680707-00363	Carriage Spur Gear, 32T, Worm Shaft	1	V=2.5 M/Min
84	680209-01021	Key,Carriage & Motor Spur Gears	1	
85	680207-01012	Retaining Ring, Carriage Spur Gear	1	
86	680209-01012	Key, Motor	1	Not provided with the carriage
87	680207-01015	Retaining Ring - Motor Shaft	1	
88	680707-00362	Motor Spur Gear, 42T	1	V=2.5 M/Min
89	680703-00392	Spacer	1	
90	680207-15003	Housing Gasket (Change Gear)	1	
91	680201-07075	Hex Head Cap Screw	3	
92	680705-00306A	Change Gear Housing	1	
93	680207-15005	Motor Gasket	1	
94	680202-11027	Nut	4	
95	Per order	Motor	1	Not provided with the carriage
96	680210-01012	Lubricating Fitting	2	

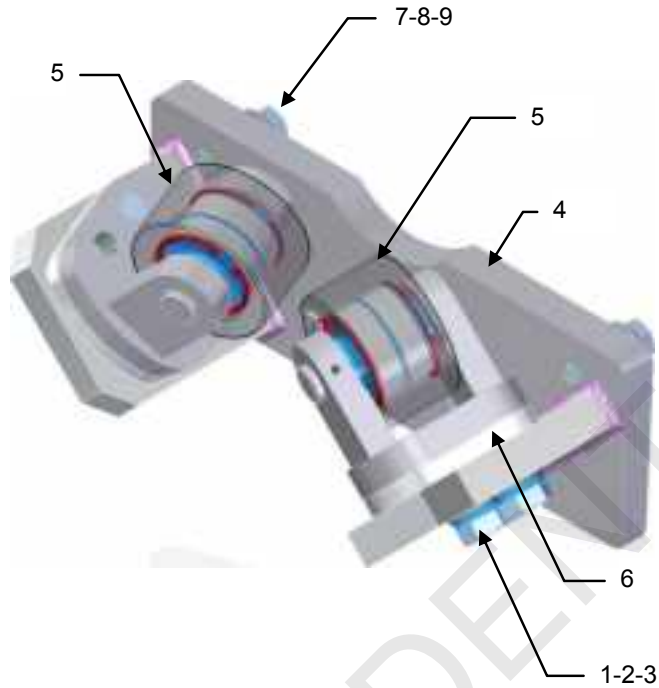
**10.5 IK525/545-EL LANCE JOINT AND PACKING ASSEMBLY**

IK525 Lance Joint and Packing Assembly			670405-01689	
ITEM	PART NO.	DESCRIPTION	QTY	REMARK
1	680801-05002A	Solid Packing Ring	1	For $\Phi 60$ Feed Tube
2	680206-14001	Gasket	1	
3	680209-02003	Key	1	For $\Phi 89$ Lance Tube
4	680702-00479	Flange Hub	1	For $\Phi 89$ Lance Tube
5	680801-01004A	Packing Bushing	1	For $\Phi 60$ Feed Tube
6	670400-00075	Packing Gland Assy	1	For $\Phi 60$ Feed Tube
7	680204-04024	Stud	2	For $\Phi 60$ Feed Tube
8	680201-07162	Bolt Lance Flange	6	
9	680202-11033	Nut	4	For $\Phi 60$ Feed Tube
10	680206-05030	Washer	2	For $\Phi 60$ Feed Tube
11	680206-02042	Washer	6	



**10.6 IK525 FRONT SUPPORT ROLLER ASSEMBLY**

<b>Front Support Assembly - Roller Assembly</b>	<b>670400-02332 4" Lance</b>
	<b>670400-02334 5" Lance</b>

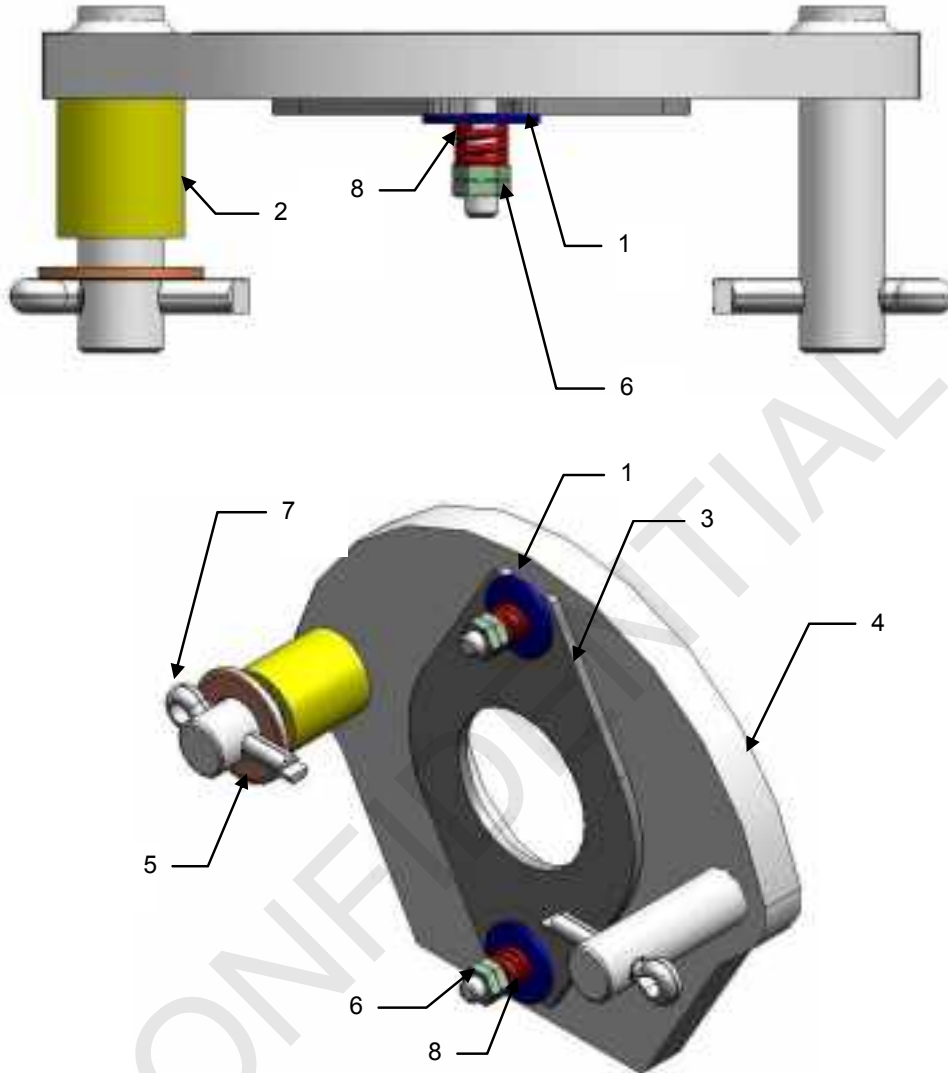


ITEM	PART NO.	DESCRIPTION	QTY	REMARK
1	680201-07228	Hex. HD. Screw	4	
2	680206-04012	Washer	4	
3	680206-02051	Lockwasher	4	
4	670500-02011	Support Bracket Roller Assembly	1	
5	670400-02349	Roller & Bracket Assy	2	
6	680701-00823	Shim, Roller Bracket – N/A	0	
7	680201-07186	Hex. Hd. Screw	4	
8	680206-02045	Lockwasher	4	
9	680206-04008	Washer	4	



10.7 WALLBOX - NEGATIVE PRESSURE – Ø3.5” LANCE

Wallbox - Negative Pressure – Ø3.5” Lance	670400-02012
---	--------------



ITEM	PART NO.	DESCRIPTION	QTY	REMARK
1	680206-14008	Washer	2	
2	680702-03013	Spacer	1	
3	680701-03131	Seal Plate, 3.5" Lance	1	
4	670500-02001	Flange Arrangement, 3.5" Lance	1	
5	680206-04014	Washer	1	
6	680202-11033	Nut	4	
7	680208-02050	Split Pin	2	
8	680801-03002	Compression Spring	2	

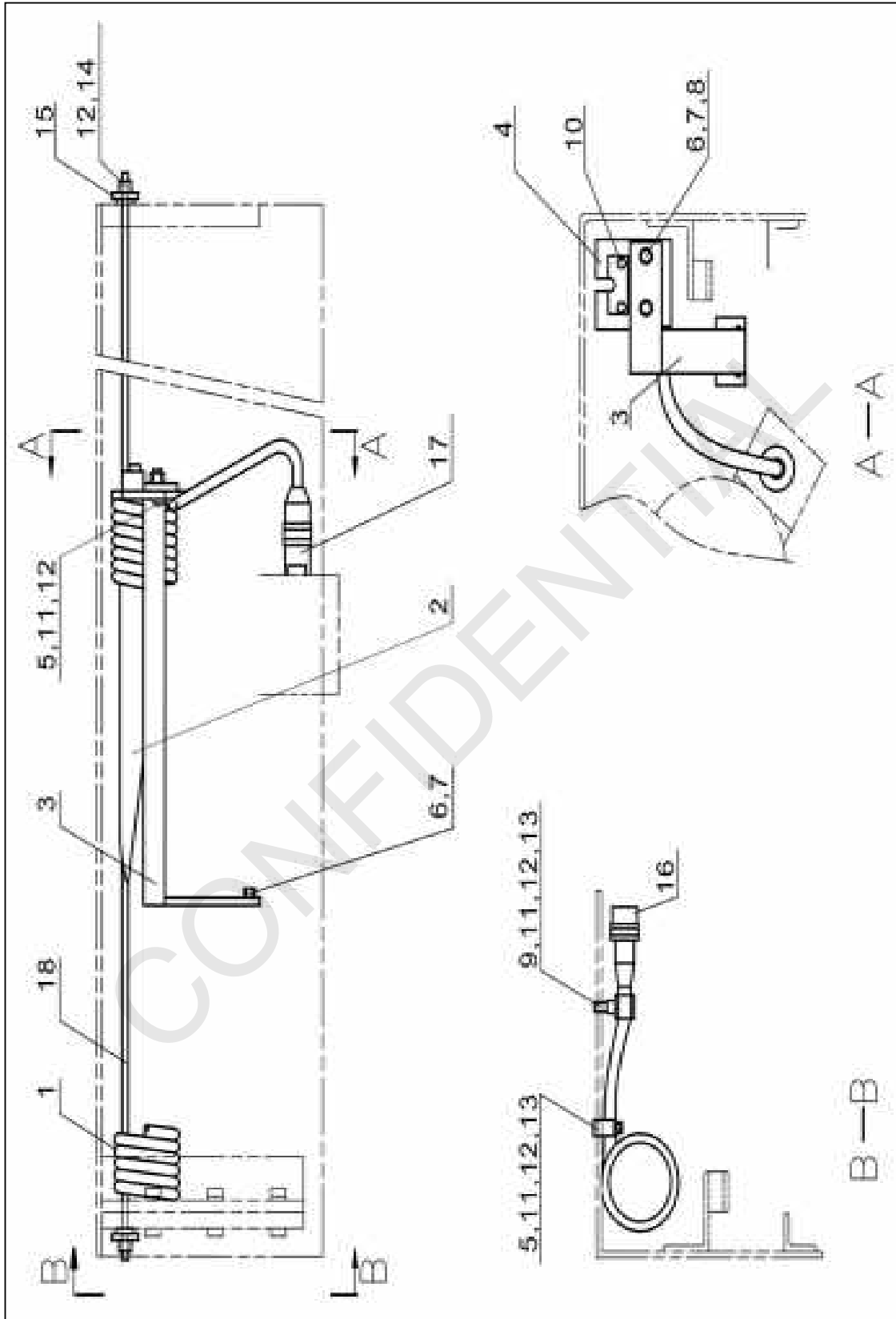
**10.8 IK525/545-EL AIR RELIEF VALVE AND FITTINGS**

<b>IK525/545-EL Air Relief Valve Assembly</b>	<b>PI 8001</b>
---	----------------



ITEM	PART NO.	DESCRIPTION	QTY	REMARK
1	PER ORDER	Poppet Valve	1	600#
2	680802-03013	Nipple Tube	1	
3	680802-05013	Tee	1	
4	680802-11011	Plug	1	
5	680802-03016	Nipple Tube	1	
6	670300-00851	Air Relief Valve ( 20NB )		20NB
7	680802-04028	Elbow	1	

### 10.9 IK525-EL EXPANDA CABLE ASSEMBLY

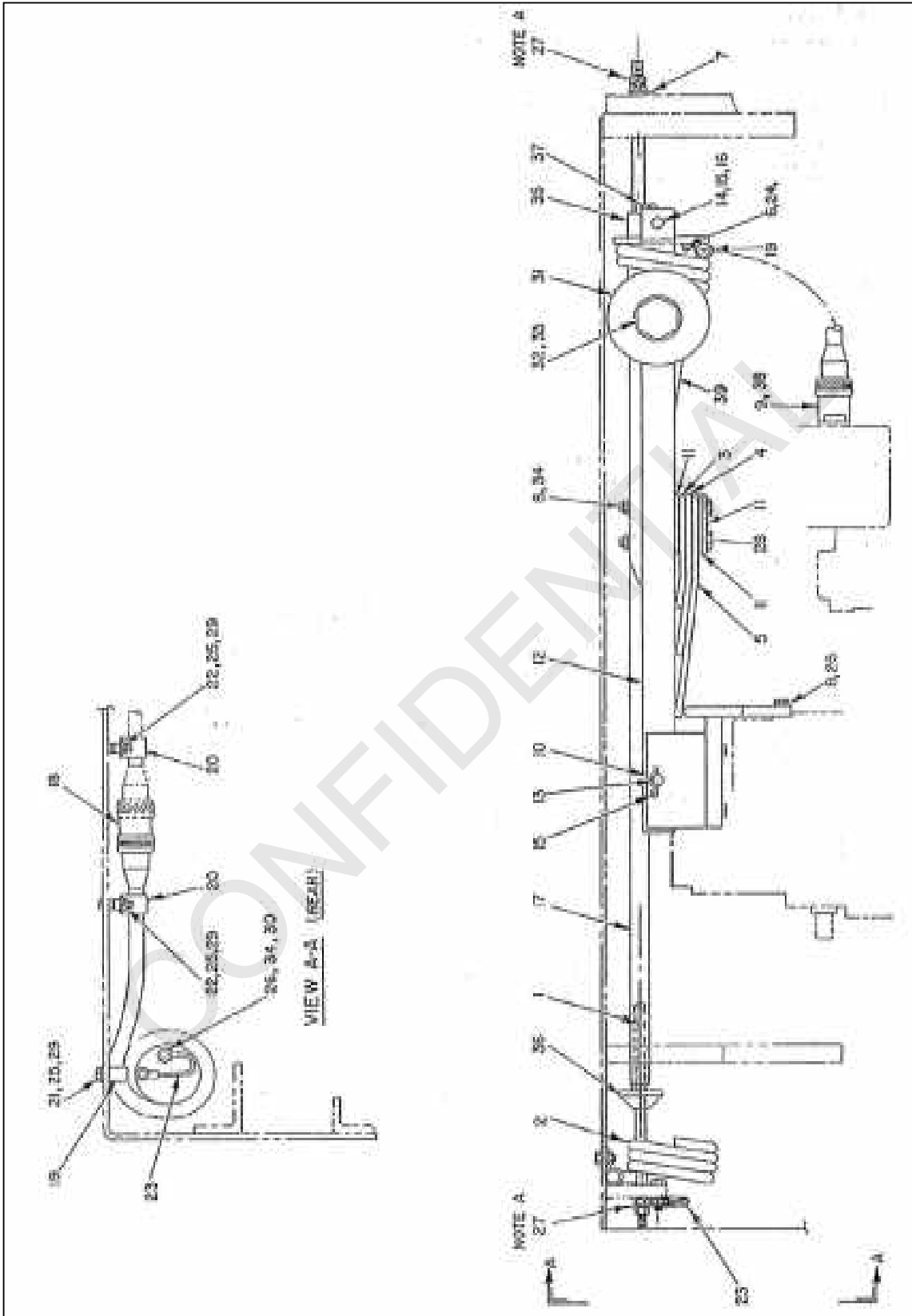


IK525-EL Expanda Cable Assembly - PI 3572

IK525-EL Expanda Cable Assembly			PI 3572	
ITEM	PART NO.	DESCRIPTION	QTY	REMARK
1	Per Order	Cable Assy, LH	1	Not supplied with the assy. Need to order seperately.
		Cable Assy, RH		
2	680705-00183a	Tapered Rod	1	
3	670500-00193	Tow Bar Assy, LH	1	
	670500-00194	Tow Bar Assy, RH		
4	680801-02006	Slider Block	1	
5	680701-00168	Cable Clamp	2	
6	680201-07066	Hex Head Cap Screw	4	
7	680206-02033	Split Lock Washer	5	
8	680206-05027	Washer	2	
9	680701-00487	Pipe Clamp	2	
10	680201-07072	Hex Head Cap Screw	2	
11	680201-07021	Hex Head Cap Screw	6	
12	680206-02033	Lock Washer	8	
13	680201-07009	Hex Nut	6	
14	680202-11018	Hex Nut	4	
15	680701-00201	Block	1	
16	Per Order	Junction Box	1	
17	680407-01009	Wire Terminal End	1	
18	Per Order	For Suspension Rod Lengths	1	Not supplied with the assy. Need to order seperately.

CONFIDENTIAL

### 10.10 IK545-EL EXPANDA CABLE ASSEMBLY



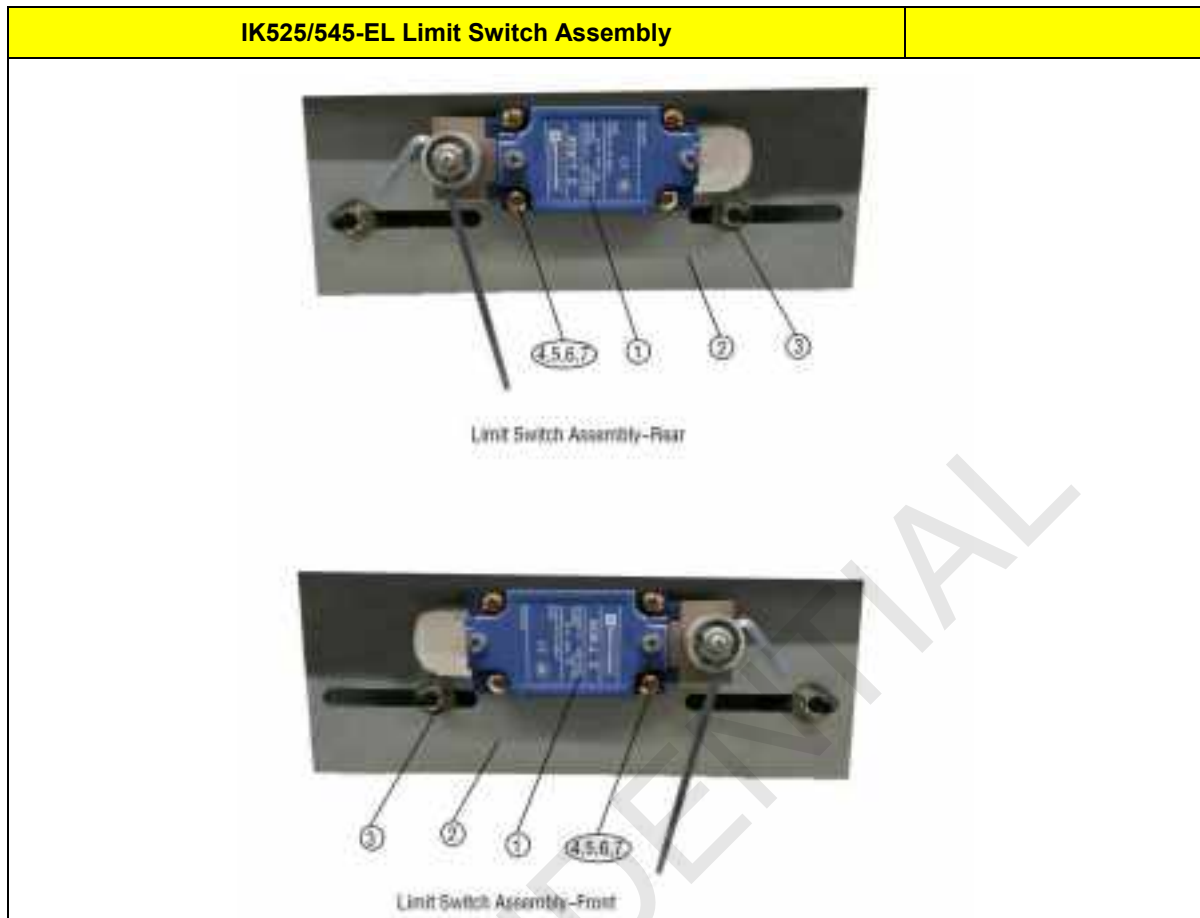
IK525/545-EL Expanda Cable Assembly - PI 3675

IK545-EL Expanda Cable Assembly			PI 3675	
ITEM	PART NO.	DESCRIPTION	QTY	REMARK
1	Per Order	Suspension Rod	1	Not included in the assy. Nedd to order seperately.
2	Per Order	Cable Assy, LH	1	Not included in the assy. Nedd to order seperately.
	Per Order	Cable Assy, RH		
3	680701-01607	Leaf Spring	1	
4	680701-01608	Leaf Spring	1	
5	680701-01609	Leaf Spring	1	
6	680203-13057	Screw	1	
7	680703-01606	Spacer Tube	1	
8	680206-02033	Split Lock Washer	4	
9		4 Conductor Male Receptacle	1	
10	670400-01693	Tow Bar Support Bracket Assy	1	
11	680701-01613	Spring Block	3	
	670401-01694	Tow Bar Assy , Per Order	1	Tow Bar Assy Include Item 12.1,13,14,15,16.
	670402-01694	Tow Bar Assy , Per Order	1	Tow Bar Assy Include Item 12.2,13,14,15,16.
	670403-01694	Tow Bar Assy , Per Order	1	Tow Bar Assy Include Item 12.3,13,14,15,16.
12.1	680701-01676	Tow Bar	1	
12.2	680701-01677	Tow Bar		
12.3	680701-01678	Tow Bar		
13	680703-01615	Pivot Pin	1	
14	680703-01616	Tow Pin	1	
15	680208-02003	Cotter Pin(Plated)	3	
16	680203-06006	Set Screw	1	
17	670401-01695	Loop Control Assy	1	Per Order
	670402-01695	Loop Control Assy		Per Order
	670403-01695	Loop Control Assy		Per Order
18	Per Order	Junction Box	1	Cancel
19	680701-00168	Cable Clamp	2	
20	680701-01030	Pipe Clamp	2	
21	680203-06006	Hex Head Cap Screw	1	
22	680201-07021	Hex Head Cap Screw	2	
23	Per Order	Grounding Strap Assy	1	Per Order
24	680206-02015	Split Lock Washer	1	
25	680202-11015	Hex Nut	4	
26	680201-07066	Hex Head Cap Screw	3	
27	680202-11027	Nut	4	
28	680201-07093	Hex Head Cap Screw	2	
29	680206-02015	Split Lock Washer	3	
30	680206-02033	Lock Washer	1	
31	680801-02003	Reaction Wheel	1	

IK545-EL Expanda Cable Assembly			PI 3675	
ITEM	PART NO.	DESCRIPTION	QTY	REMARK
32	680703-01618	Shoulder Screw	1	
33	680203-06006	Set Screw	1	
34	680202-11027	Hex Nut	3	
35	680801-02004	Slider Block	1	Included In Item 17.
36	680801-02002	Knob	1	Included In Item 17.
37	680201-07072	Hex Head Cap Screw	2	
38	680407-01009	Wire Terminal End	4	

CONFIDENTIAL

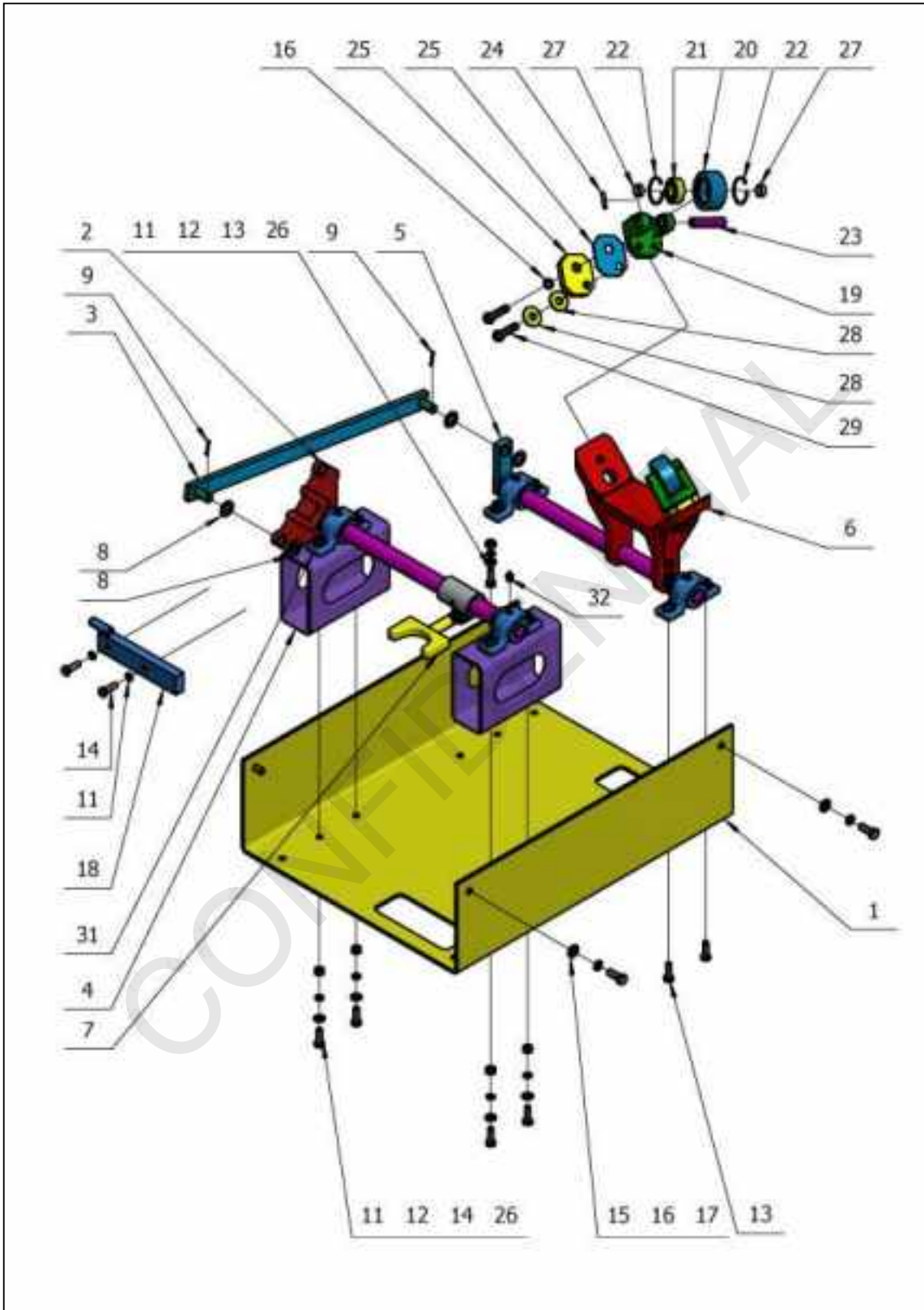
**10.11 IK525/545-EL LIMIT SWITCH ASSEMBLY**



ITEM	PART NO.	DESCRIPTION	QTY	REMARK
1	680408-14022	Limit Switch	1	
2	670500-01469	Mounting Plate	1	
3	670400-01558	Hardware of Mounting Plate	2	
3-1	680201-07032	Screw	2	
3-2	680206-02015	Lock Washer	2	
3-3	680202-11015	Nut	2	
3-4	680206-04004	Flat Washer	2	
4	680203-13054	screw	4	
5	680206-02012	Lock Washer	4	
6	680206-05015	Flat Washer	4	
7	680202-11012	Nut	4	



### 10.12 IK545-EL LANCE AND FEED TUBE AUXILIARY SUPPORT ASSEMBLY



IK525/545-EL Lance and Feed Tube Auxiliary Support Assembly - PI 3617

IK545-EL Lance and Feed Tube Auxiliary Support Assembly			PI 3617	
ITEM	PART NO.	DESCRIPTION	QTY	REMARK
1	680701-01628	Channel	1	
2	670500-01703	Trigger Shaft Assy	1	
3	670500-01699	Lever Assy	1	
4	680705-01635	Support Block	2	
5	670500-01700	Shaft Assy	1	
6	680705-01630	Roller Bracket	1	
7	670401-01698	Fee Tube Support Assy	1	For Ø60 Feed tube
	670404-01701	Fee Tube Support Assy		For Ø70 Feed tube
8	680206-05036	Washer	5	
9	680208-02009	Cotter Pin	2	
11	680206-02033	Split Lock Washer	4	
12	680202-11027	Hex Nut	14	
13	680201-07072	Screw	10	
14	680201-07069	Screw	4	
15	680201-07114	Screw	6	
16	680206-02036	Split Lock Washer	8	
17	680202-11033	Hex Nut	6	
18	670500-01704	Actuator Bar Assy	1	
19	680705-01631	Roller Bracket	2	
20	680703-01632	Roller	2	
21	680211-01030	Ball Bearing	2	
22	680207-02015	Retaining Ring	4	
23	680703-01633	Roller Shaft	2	
24	680208-01033	Roll Pin	2	
25	680701-01638	Shim	2/4	Ø89: 2/Ø102: 4
	680701-01641	Shim	4/2	Ø89: 4/Ø102: 2
26	680206-05027	Washer	20	
27	680703-01634	Roller Spacer	4	
28	680206-04006	Washer	4	
29	680201-07138	Hex Head Cap Screw	4	
31	680211-32003	Pillow Block	4	
32	680210-01012	Lube Fitting	4	Cancelled On New Pillow Block

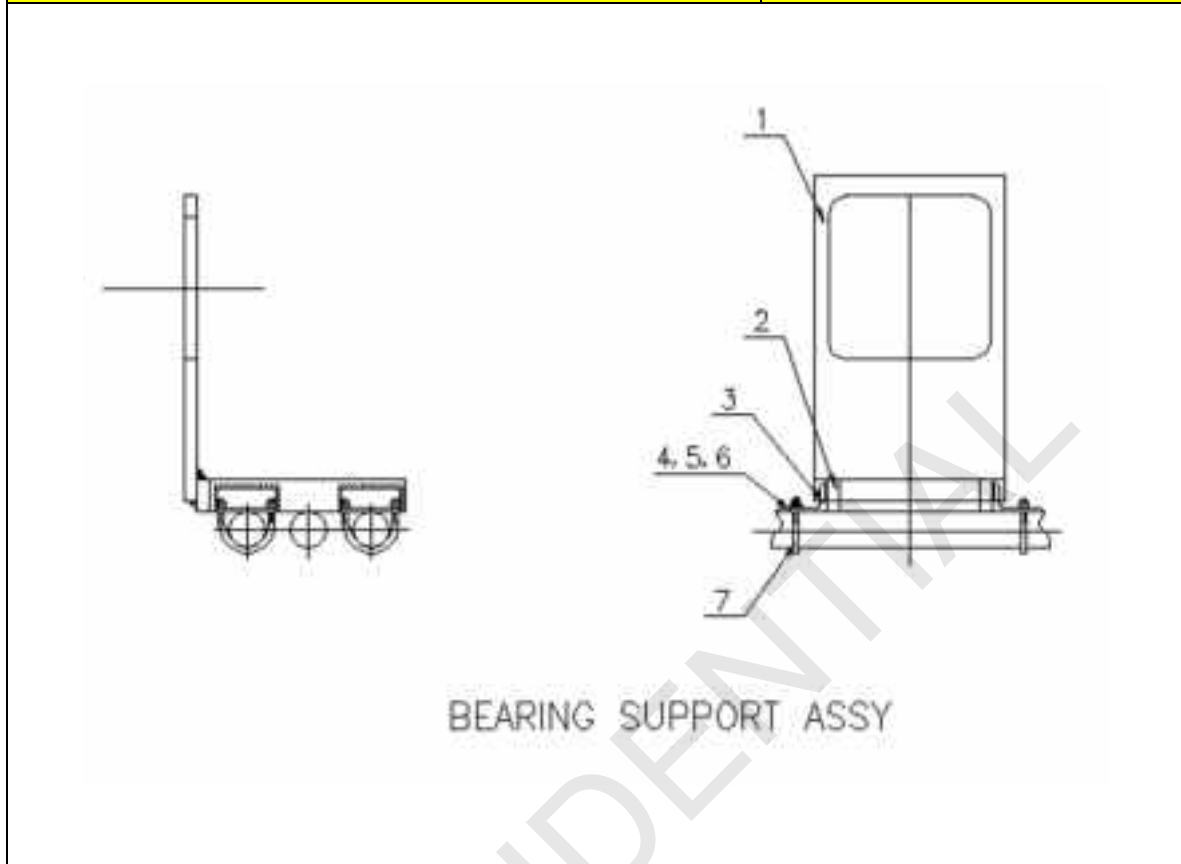
10.13 IK525/545-EL SPECIAL TOOLS



ITEM	PART NO.	DESCRIPTION	QTY	REMARK
1	680801-10006	Valve Spring Depressing Tool	1	Ref: 307025-1024
2	680801-01650	Valve Packing Nut Spanner	1	Ref: 312227-1129
3	LAP-KIT-40bar	Valve Lap kit	1	
3-1	680801-10019	Wobble Stick	1	
3-2	680705-01651	Roughing Lapping Disc	1	
3-3	680705-01650	Finishing Lapping Disc	1	
4	680801-10008	Ø60 Feed Tube Packing Tool	1	Ref: 306761-0117
	680801-10010	Ø70 Feed Tube Packing Tool		Ref: 341409-1029
5	680801-10004	Manual Crank	1	
6	680801-09015	Pressure Gauge Assembly	1	Ref: 396970-010A
7	680802-25021	Emergency Pneumatic Retracting Device	1	
8	714060-33804	Ratchet Wrench	1	
9	680801-04010	Socket Extension	1	

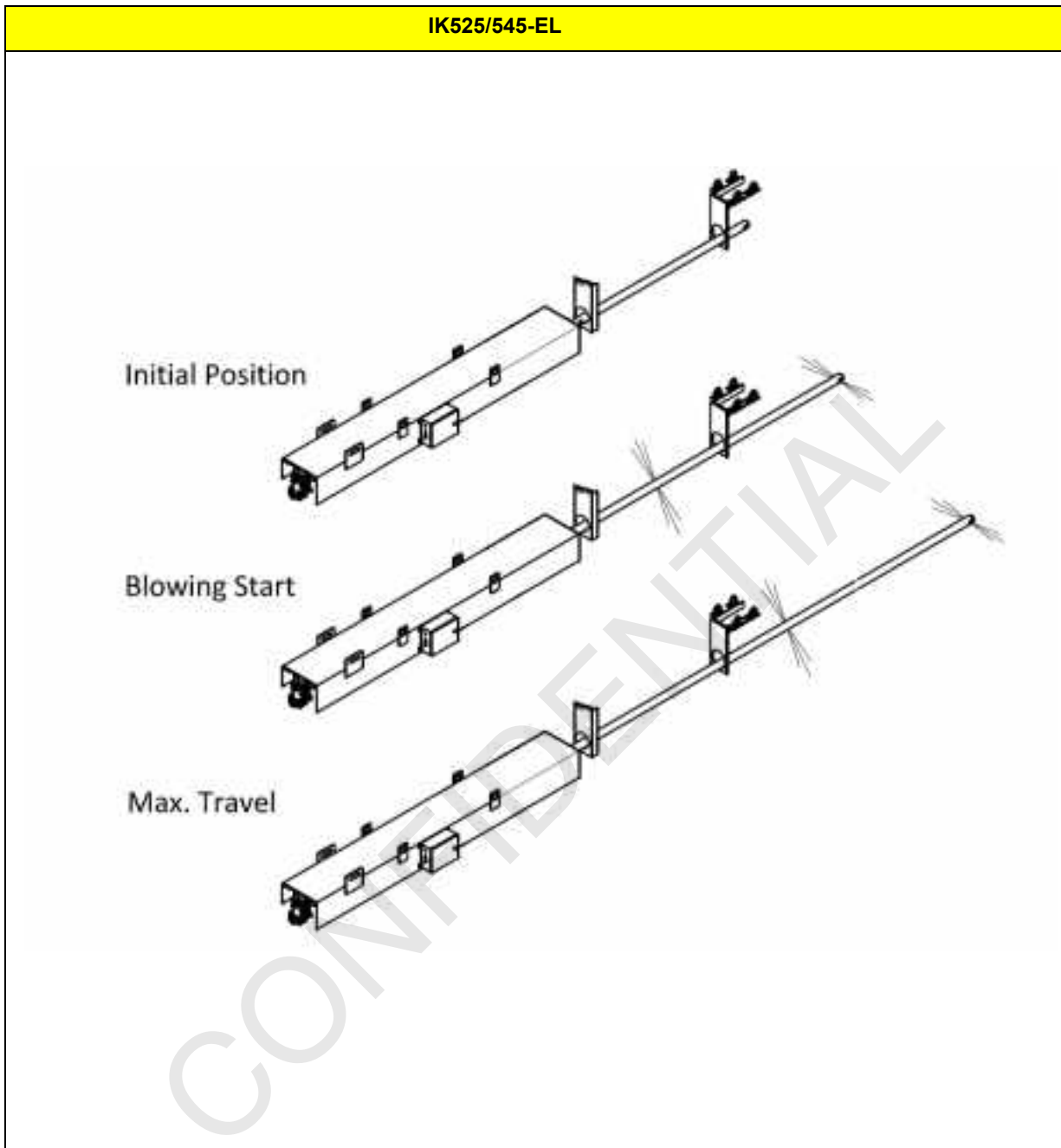
**10.14 IK-525EL BEARING SUPPORT ASSEMBLY INSIDE OF THE BOILER**

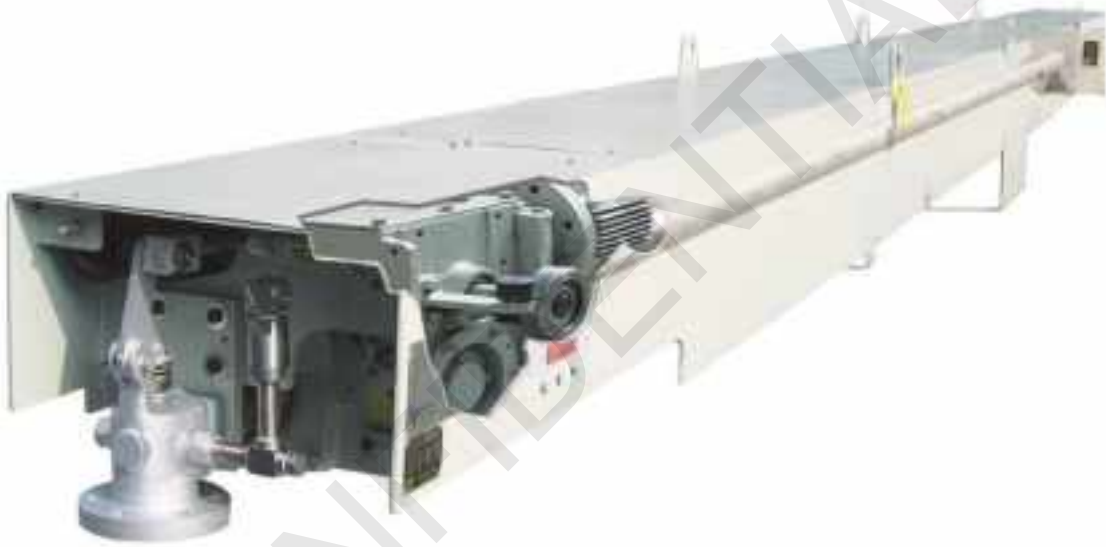
<b>IK-525EL Bearing Support Assembly Inside of the Boiler</b>	<b>Rear: 1806014-3087 Front: 1806014-3088</b>
---	---



Rear Bearing Support Assembly Inside of the Boiler			1806014-3087	
ITEM	PART NO.	DESCRIPTION	QTY	REMARK
1	1806014-3072	Bearing plate	1	Depends on sootblower location
2	1806014-3075	Support assy	1	
3	1806014-3074	Angle steel	4	
4	680202-11034	Hex nut(m12)	8	
5	680206-02037	Lock washer	8	
6	680206-04007	Washer	8	
7	680703-01094	U-blot	4	
Front Bearing Support Assembly Inside of the Boiler			1806014-3088	
ITEM	PART NO.	DESCRIPTION	QTY	REMARK
1	1806014-3073	Bearing plate	1	Depends on sootblower location
2	1806014-3075	Support assy	1	
3	1806014-3074	Angle steel	4	
4	680202-11034	Hex nut(m12)	8	
5	680206-02037	Lock washer	8	
6	680206-04007	Washer	8	
7	680703-01094	U-blot	4	

### 10.15 IK525/545-EL LANCE TUBE ILLUSTRATION





Diamond Power Machine (Hubel) Co. Inc.

[www.diamondpower.com.cn](http://www.diamondpower.com.cn)

Tel. +86(27) 5922 2298 Fax. +86(27) 5922 2246