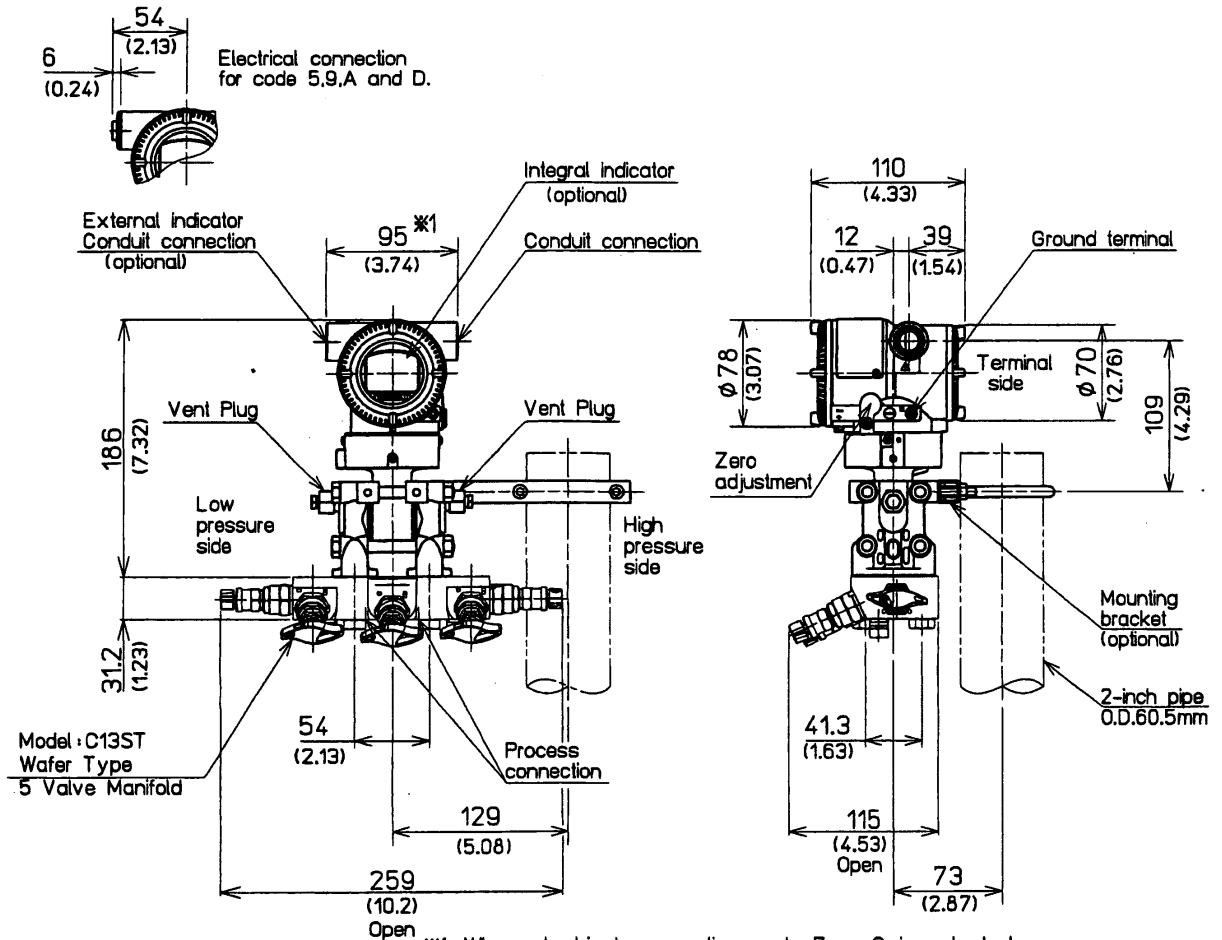


Drawings

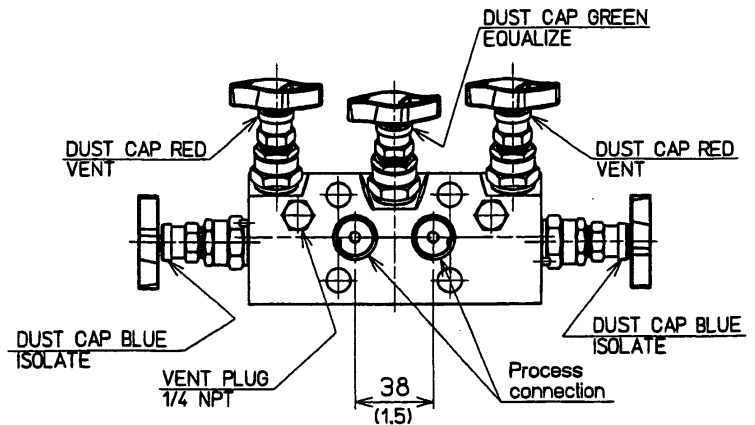
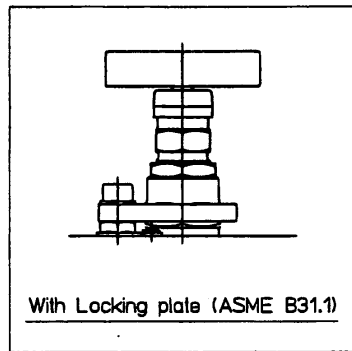
EJX110A Differential Pressure Transmitter Bottom Process Connection With 5-Valve Manifold

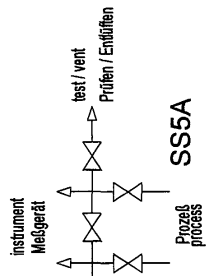
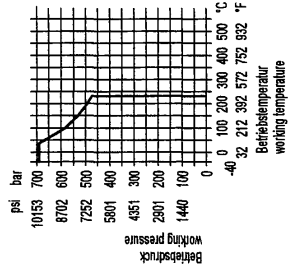
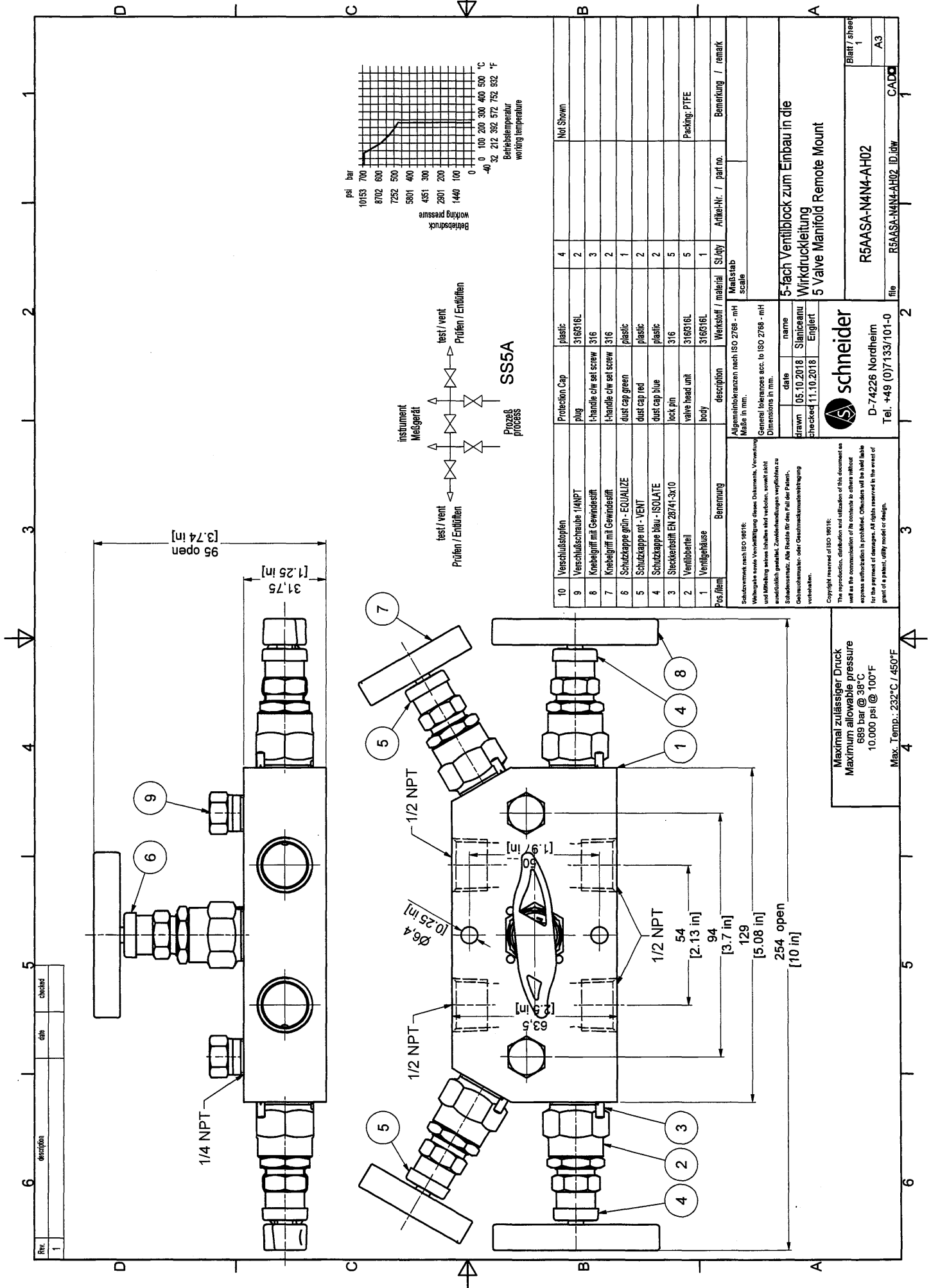
● Bottom Process Connection

Unit:mm
(approx.inch)



*1: When electrical connection code 7 or C is selected, a blind plug is protruded up to 8mm (0.31 inch) from conduit connection.





Pos./Item	Benennung	description	Material	Styly	Arbeits-Nr. / part no.	Bemerkung / remark
10	Verschlußstopfen	Protection Cap	plastic			Not Shown
9	Verschlußschraube 1/4NPT	plug	316S16L	2		
8	Knebelgriff mit Gewindestift	L-handle chr set screw	316	3		
7	Knebelgriff mit Gewindestift	L-handle chr set screw	316	2		
6	Schutzkappe grün - EQUALIZE	dust cap green	plastic	1		
5	Schutzkappe rot - VENT	dust cap red	plastic	2		
4	Schutzkappe blau - ISOLATE	dust cap blue	plastic	2		
3	Steckpins EN 28741-3x10	lock pin	316	5		Packing: PTFE
2	Ventilbithülse	valve head unit	316S16L	5		
1	Ventilgehäuse	body	316S16L	1		

name	date	checked
Slanicentru	05.10.2018	Englert

General tolerances acc. to ISO 2768 - mH
Dimensions in mm.

Copyright reserved of ISO 9018:
The reproduction, distribution and utilization of this document as well as its communication to others without express authorization is prohibited. Offenders will be held liable for the payment of damages. All rights reserved in the event of a patent, utility model or design.

Copyright reserved of ISO 9018:
The reproduction, distribution and utilization of this document as well as its communication to others without express authorization is prohibited. Offenders will be held liable for the payment of damages. All rights reserved in the event of a patent, utility model or design.

Maximal zulässiger Druck
Maximum allowable pressure
689 bar @ 38°C
10.000 psi @ 100°F
Max. Temp.: 232°C / 450°F

5-fach Ventilblock zum Einbau in die
Wirkdruckleitung
5 Valve Manifold Remote Mount

file R5AASA-NM4-AH02
R5AASA-NM4-AH02_ID.dwg
Blatt / sheet 1
A3
CAD