

door mounted rotary operator standard IEC IP65 with door interlock accessory for: 3VA15/25/26




Model		
product brand name	SETRON	
product designation	door-coupling rotary operating mechanism	
accessories	Door-coupling rotary operating mechanisms	
General technical data		
protection class IP	IP65	
Certificates		
General Product Approval	EMV	Test Certificates



[Miscellaneous](#)

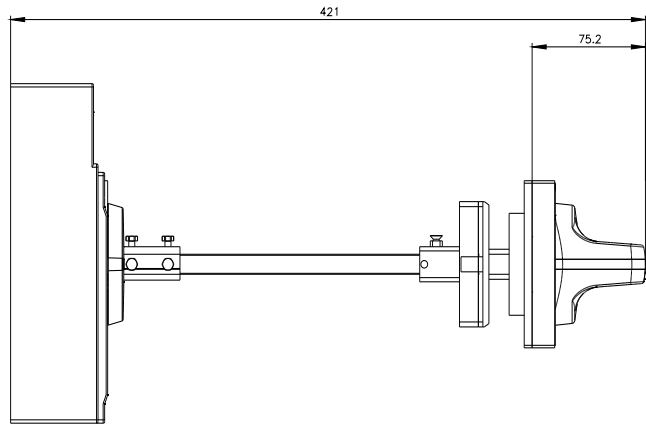
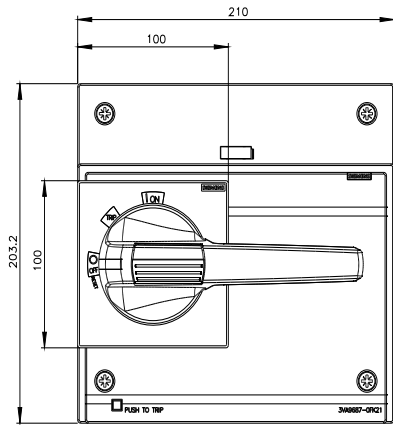


[Type Test Certificates/Test Report](#)

Marine / Shipping	other	Environment			
 LRS	Miscellaneous	Confirmation	Miscellaneous	Environmental Confirmations	Environmental Confirmations

Further information

- Information on the packaging
<https://support.industry.siemens.com/cs/ww/en/view/109813875>
- Information- and Downloadcenter (Catalogs, Brochures,...)
<http://www.siemens.com/lowvoltage/catalogs>
- Industry Mall (Online ordering system)
<https://mall.industry.siemens.com/mall/en/en/Catalog/product?mlfb=3VA9687-0FK21>
- Service&Support (Manuals, Certificates, Characteristics, FAQs,...)
<https://support.industry.siemens.com/cs/ww/en/ps/3VA9687-0FK21>
- Image database (product images, 2D dimension drawings, 3D models, device circuit diagrams, ...)
http://www.automation.siemens.com/bilddb/cax_en.aspx?mlfb=3VA9687-0FK21
- CAX-Online-Generator
<http://www.siemens.com/cax>
- Tender specifications
<http://www.siemens.com/specifications>



last modified:

8/10/2024 

