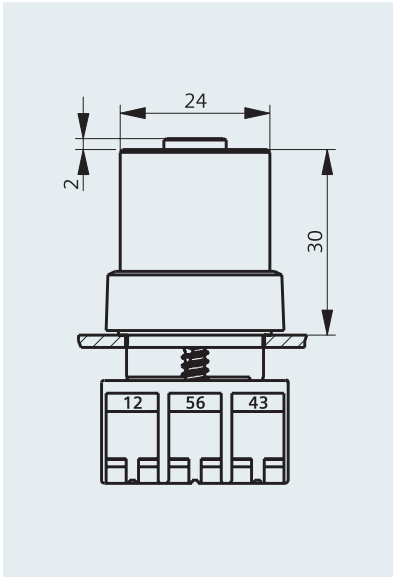


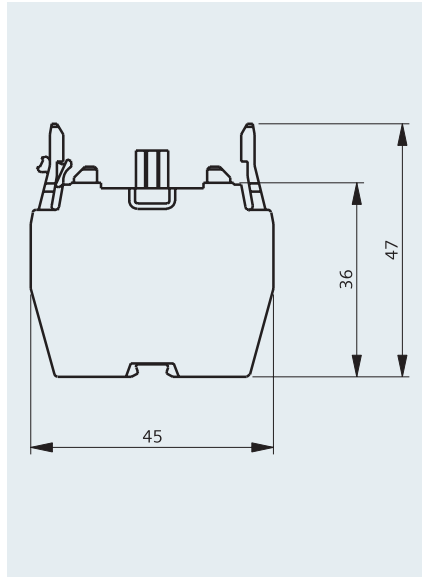
Version	Rated Voltage V	Colour	Order No.	Weight per PU approx. kg
<b>Compact LED indicating lamp</b>				
	24 V AC/DC	Red	3SB52 85-6HC01	0.017
		Green	3SB52 85-6HE01	0.017
		Amber	3SB52 85-6HL01	0.017
		Blue	3SB52 85-6HF01	0.017
		White	3SB52 85-6HG01	0.017
		Yellow	3SB52 85-6HD01	0.017
		Clear	3SB52 85-6HH01	0.017
	30 V DC®	Red	3SB52 85-6HC13	0.017
		Green	3SB52 85-6HE13	0.017
		Amber	3SB52 85-6HL13	0.017
		Blue	3SB52 85-6HF13	0.017
		White	3SB52 85-6HG13	0.017
		Yellow	3SB52 85-6HD13	0.017
		Clear	3SB52 85-6HH13	0.017
	110 V AC 50/60 Hz	Red	3SB52 85-6HC02	0.017
		Green	3SB52 85-6HE02	0.017
		Amber	3SB52 85-6HL02	0.017
		Blue	3SB52 85-6HF02	0.017
		White	3SB52 85-6HG02	0.017
		Yellow	3SB52 85-6HD02	0.017
		Clear	3SB52 85-6HH02	0.017
	110 V DC®	Red	3SB52 85-6HC04	0.017
		Green	3SB52 85-6HE04	0.017
		Amber	3SB52 85-6HL04	0.017
		Blue	3SB52 85-6HF04	0.017
		White	3SB52 85-6HG04	0.017
		Yellow	3SB52 85-6HD04	0.017
		Clear	3SB52 85-6HH04	0.017
	220/240 V AC 50/60 Hz	Red	3SB52 85-6HC03	0.017
		Green	3SB52 85-6HE03	0.017
		Amber	3SB52 85-6HL03	0.017
		Blue	3SB52 85-6HF03	0.017
		White	3SB52 85-6HG03	0.017
		Yellow	3SB52 85-6HD03	0.017
		Clear	3SB52 85-6HH03	0.017
	220 V DC®	Red	3SB52 85-6HC05	0.017
		Green	3SB52 85-6HE05	0.017
		Amber	3SB52 85-6HL05	0.017
		Blue	3SB52 85-6HF05	0.017
		White	3SB52 85-6HG05	0.017
		Yellow	3SB52 85-6HD05	0.017
		Clear	3SB52 85-6HH05	0.017
<b>Wide band compact LED indicating lamps</b>				
	42 to 240V AC & 42 to 220V DC	Red	3SB52 35-6HC14	0.175
		Green	3SB52 35-6HE14	0.175
		Amber	3SB52 35-6HL14	0.175
		Blue	3SB52 35-6HF14	0.175
		White	3SB52 35-6HG14	0.175
		Yellow	3SB52 35-6HD14	0.175
		Clear	3SB52 35-6HH14	0.175
<b>Modular indicating lamps</b>				
	Lens assembly with holder	Red	3SB52 01-6BC00	0.019
		Green	3SB52 01-6BE00	0.019
		Amber	3SB52 01-6BL00	0.019
		Blue	3SB52 01-6BF00	0.019
		White	3SB52 01-6BG00	0.019
		Yellow	3SB52 01-6BD00	0.019
		Clear	3SB52 01-6BH00	0.019

® Use of bridge rectified DC source (filtered O/P) recommended

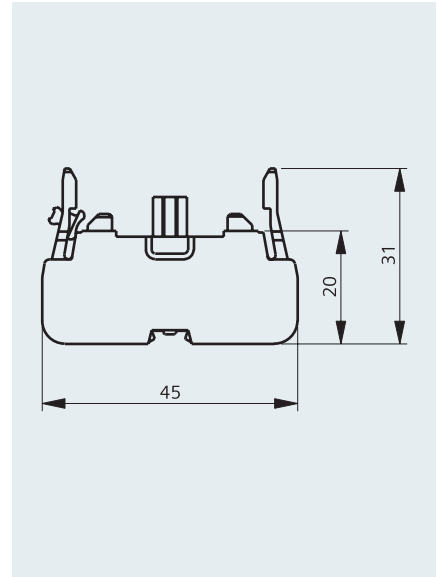
Key Actuator with Holder



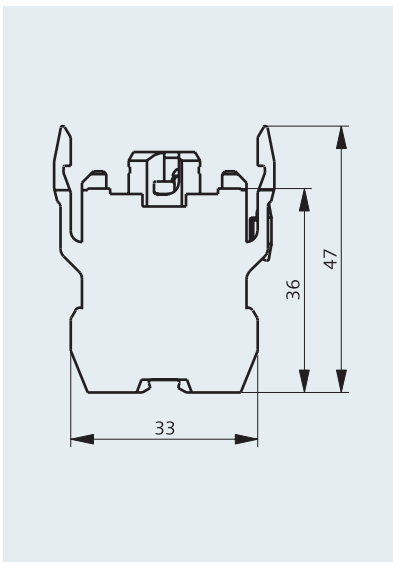
2NO/2NC/1NO+1NC Contact Block (Front Mounting)



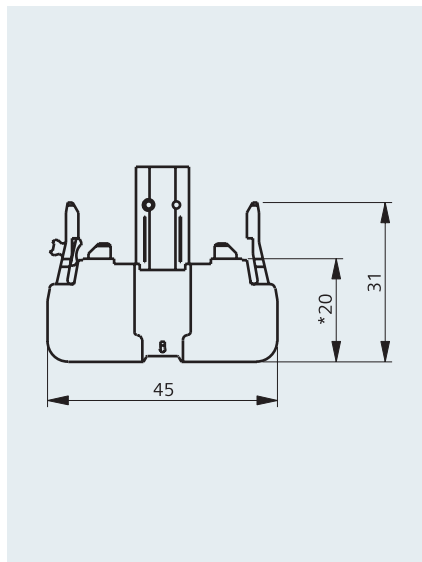
1NO/1NC Contact Block (Front Mounting)



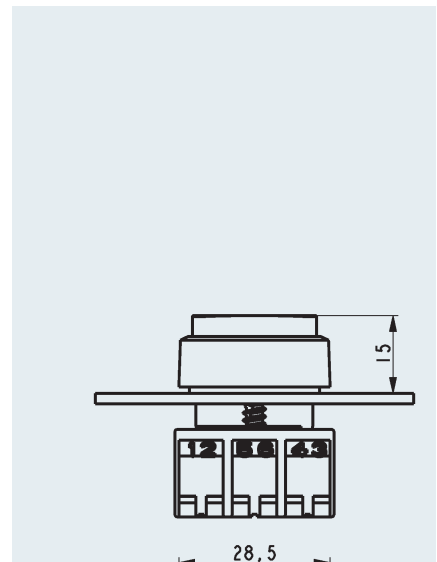
BA9s Lamp Holder



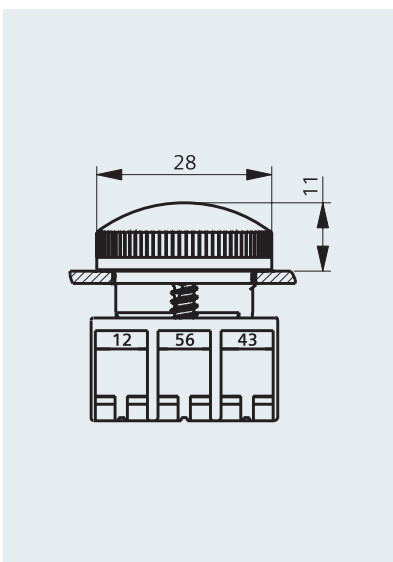
Integrated LED



Twin Push Button Actuator with Holder



Lens assembly with Holder



Compact Pilot Light (LED/Wideband)

