



RC element 48...127 V AC, 70...150 V DC Surge suppressor For mounting onto contactors Size S00 !!! Phased-out product !!! Successor is SIRIUS 3RT2 Preferred successor type is >>3RT2916-1CC00<<

Figure similar

product brand name	SIRIUS
product designation	surge suppressor
General technical data	
size of contactor	S00
Substance Prohibittance (Date)	07/01/2006
type of voltage of the control supply voltage	AC/DC
control supply voltage 1 at AC	
• at 50 Hz	48 ... 127 V
• at 60 Hz	48 ... 127 V
control supply voltage frequency	
• 1 rated value	50 Hz
• 2 rated value	60 Hz
control supply voltage 1 at DC	
•	70 ... 150 V
design of the surge suppressor	RC element
Ambient conditions	
ambient temperature	
• during operation	-25 ... +60 °C
• during storage	-40 ... +80 °C
Approvals Certificates	
General Product Approval	



[Confirmation](#)



EMV	Test Certificates	Marine / Shipping	other
-----	-------------------	-------------------	-------



[Special Test Certificate](#)



[Miscellaneous](#)

other	Railway	Environment
-------	---------	-------------

[Confirmation](#)

[Miscellaneous](#)

[Special Test Certificate](#)

[Environmental Confirmations](#)

Further information

Information on the packaging

<https://support.industry.siemens.com/cs/ww/en/view/109813875>

Information- and Downloadcenter (Catalogs, Brochures,...)

<https://www.siemens.com/ic10>

Industry Mall (Online ordering system)

<https://mall.industry.siemens.com/mall/en/en/Catalog/product?mlfb=3RT1916-1CC00>

Cax online generator

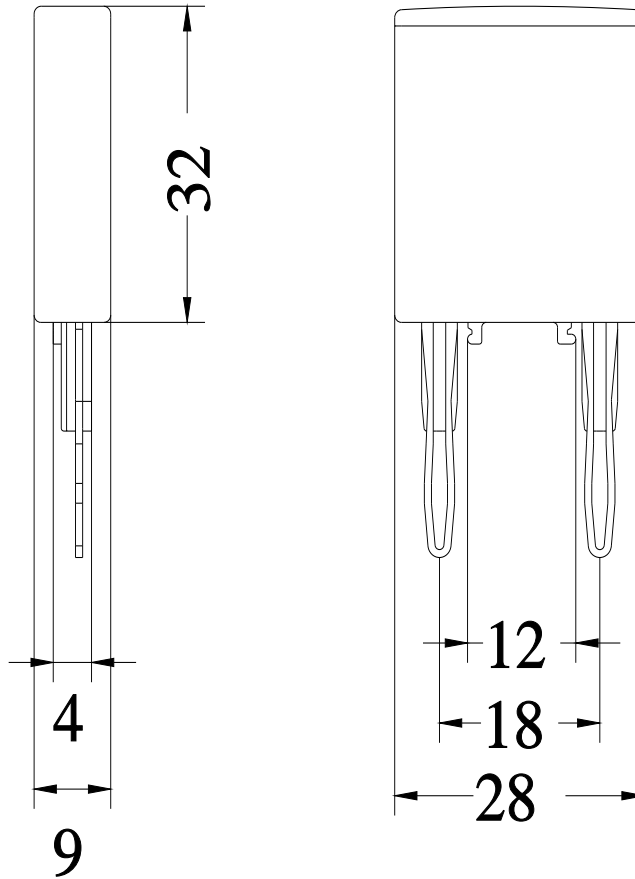
<http://support.automation.siemens.com/WW/CAXorder/default.aspx?lang=en&mlfb=3RT1916-1CC00>

Service&Support (Manuals, Certificates, Characteristics, FAQs,...)

<https://support.industry.siemens.com/cs/ww/en/ps/3RT1916-1CC00>

Image database (product images, 2D dimension drawings, 3D models, device circuit diagrams, EPLAN macros, ...)

http://www.automation.siemens.com/bilddb/cax_de.aspx?mlfb=3RT1916-1CC00&lang=en



last modified:

10/22/2022 