



Evaluation unit for full motor protection (monostable) Size S00...S12, class 5...30
Stand-alone installation Main circuit: -- Auxiliary circuit: Screw terminal Manual-Automatic-Reset

product brand name	SIRIUS
product designation	solid-state overload relay
product type designation	3RB22
General technical data	
size of overload relay	S00 ... S12
size of contactor can be combined company-specific	S00 ... S12
power loss [W] for rated value of the current at AC in hot operating state	0.5 W
• per pole	0.17 W
insulation voltage with degree of pollution 3 at AC rated value	300 V
surge voltage resistance rated value	4 kV
reference code according to IEC 81346-2	F
Substance Prohibitance (Date)	05/28/2009
SVHC substance name	Lead - 7439-92-1 Lead monoxide (lead oxide) - 1317-36-8
Ambient conditions	
installation altitude at height above sea level maximum	2 000 m
ambient temperature	
• during operation	-25 ... +60 °C
• during storage	-40 ... +80 °C
• during transport	-40 ... +80 °C
relative humidity during operation	100 %
Main circuit	
number of poles for main current circuit	3
adjustable current response value current of the current-dependent overload release	0.3 ... 630 A
operational current rated value	630 A
control supply voltage at AC	
• at 50 Hz rated value	24 ... 240 V
• at 60 Hz rated value	24 ... 240 V
Auxiliary circuit	
number of NC contacts for auxiliary contacts	2
number of NO contacts for auxiliary contacts	2
operational current of auxiliary contacts at AC-15	
• at 24 V	6 A
• at 110 V	6 A
• at 120 V	6 A
• at 125 V	6 A
• at 230 V	3 A
operational current of auxiliary contacts at DC-13	
• at 24 V	2 A

- at 60 V 0.55 A
- at 110 V 0.3 A
- at 125 V 0.3 A
- at 220 V 0.2 A

Protective and monitoring functions

trip class CLASS 5, 10, 20 and 30 adjustable

Short-circuit protection

design of the fuse link
 • for short-circuit protection of the auxiliary switch required fuse gL/gG: 6 A

Installation/ mounting/ dimensions

mounting position any

fastening method stand-alone installation

height 111 mm

width 45 mm

depth 95 mm

required spacing

- with side-by-side mounting
 - forwards 0 mm
 - backwards 0 mm
 - upwards 0 mm
 - downwards 0 mm
 - at the side 0 mm
- for grounded parts
 - forwards 0 mm
 - backwards 0 mm
 - upwards 0 mm
 - at the side 6 mm
 - downwards 0 mm
- for live parts
 - forwards 0 mm
 - backwards 0 mm
 - upwards 0 mm
 - downwards 0 mm
 - at the side 6 mm

Connections/ Terminals

product component removable terminal for auxiliary and control circuit Yes

type of electrical connection
 • for auxiliary and control circuit screw-type terminals

type of connectable conductor cross-sections
 • for auxiliary contacts
 — finely stranded with core end processing 0.5 ... 2.5 mm², 2x (0.5 ... 1.5 mm²)
 • for AWG cables for auxiliary contacts 2x (24 ... 16)

Electrical Safety

protection class IP on the front according to IEC 60529 IP20

touch protection on the front according to IEC 60529 finger-safe, for vertical contact from the front

Approvals Certificates

General Product Approval

[Confirmation](#)



EMV

For use in hazardous locations

Test Certificates



[KC](#)



[Special Test Certificate](#)

[Type Test Certificates/Test Report](#)



[Confirmation](#)

[Environmental Con-
firmations](#)

Further information

Information on the packaging

<https://support.industry.siemens.com/cs/ww/en/view/109813875>

Information- and Downloadcenter (Catalogs, Brochures,...)

<https://www.siemens.com/ic10>

Industry Mall (Online ordering system)

<https://mall.industry.siemens.com/mall/en/en/Catalog/product?mlfb=3RB2283-4AA1>

Cax online generator

<http://support.automation.siemens.com/WW/CAXorder/default.aspx?lang=en&mlfb=3RB2283-4AA1>

Service&Support (Manuals, Certificates, Characteristics, FAQs,...)

<https://support.industry.siemens.com/cs/ww/en/ps/3RB2283-4AA1>

Image database (product images, 2D dimension drawings, 3D models, device circuit diagrams, EPLAN macros, ...)

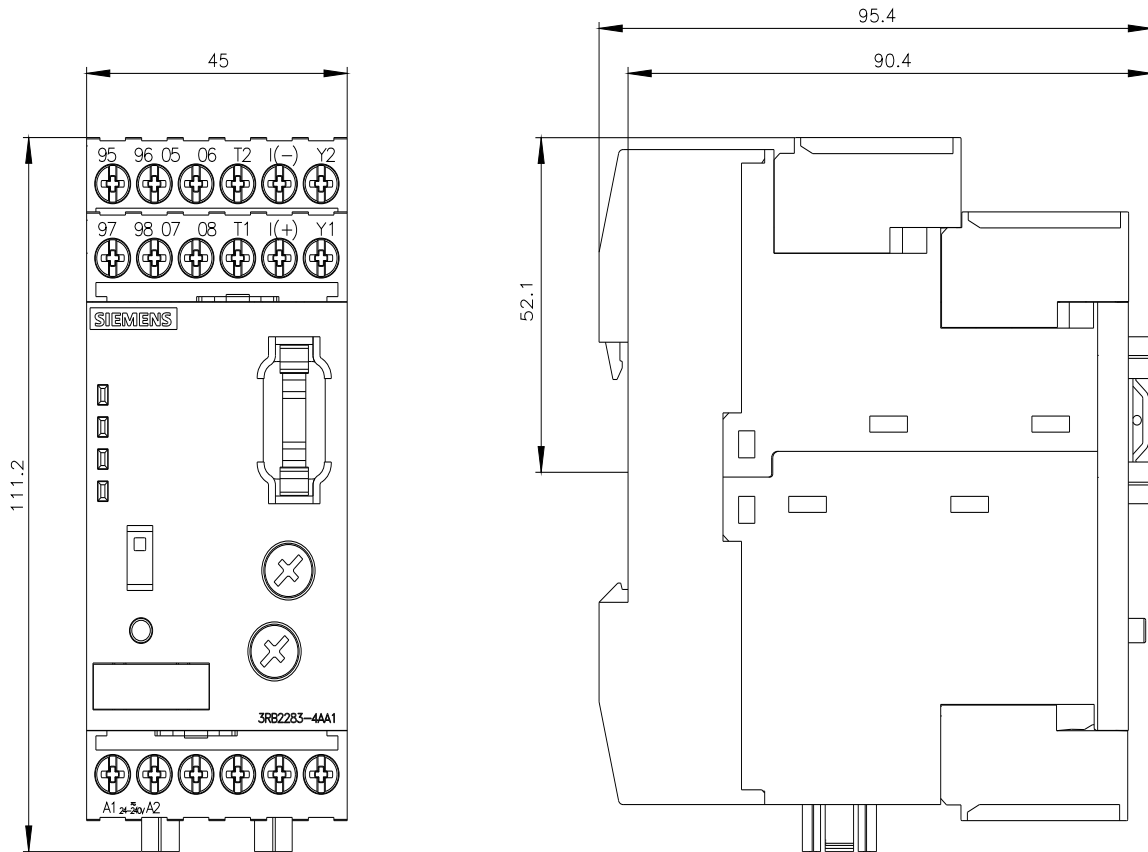
http://www.automation.siemens.com/bilddb/cax_de.aspx?mlfb=3RB2283-4AA1&lang=en

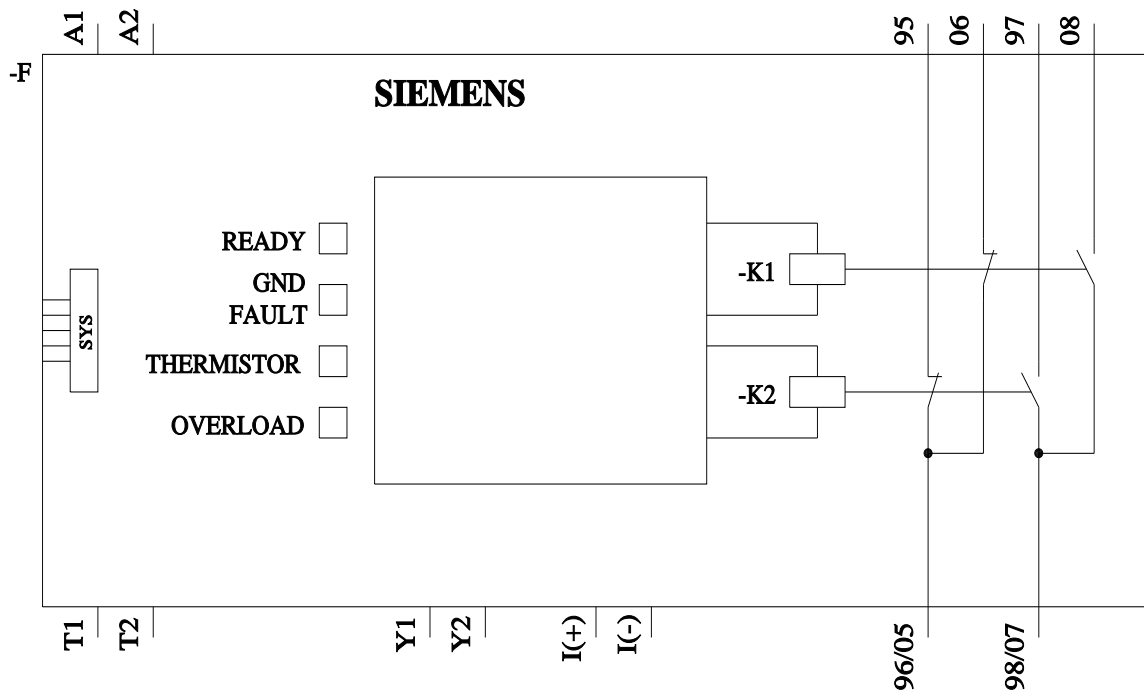
Characteristic: Tripping characteristics, I_t, Let-through current

<https://support.industry.siemens.com/cs/ww/en/ps/3RB2283-4AA1/char>

Further characteristics (e.g. electrical endurance, switching frequency)

<http://www.automation.siemens.com/bilddb/index.aspx?view=Search&mlfb=3RB2283-4AA1&objecttype=14&gridview=view1>





last modified:

3/11/2024