

## SELF-ADHESIVE TIE MOUNT

### HC-103

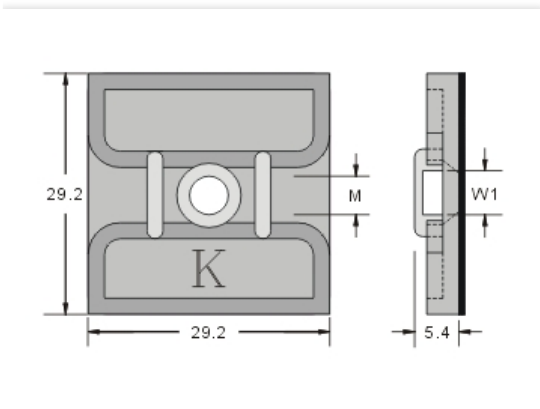


#### Description

#### Features

- Material: UL94V-2 flame rated, UL approved Nylon 66 with adhesive tape.
- Color : Natural , available in other color.
- SELF-ADHESIVE TIE MOUNT is designed to support light weight wire bundles when properly applied on any clean, smooth, grease-free surface. For heavy support, mounting hole is provided for screws.
- To apply, simply peel off liner and apply mount to surface. After that, cable ties can be inserted to secure wire bundles.
- 2 way entry

#### Dimensional Drawing



#### Certification



#### + Base Data

Applicable cable tie width	5.5
Mounting Hole	5.0

**Material** | NYLON 66

---

**Color** | Natural

---

**Certification** | Halogen-Free,RoHS

---

**Packing** | 100pcs

---