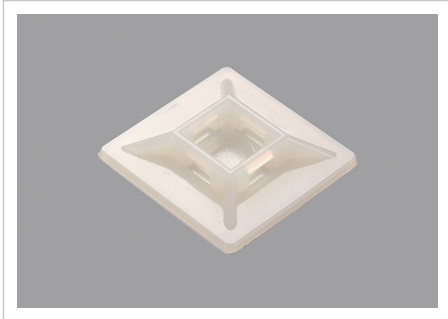


## SELF-ADHESIVE TIE MOUNT

### HC-102

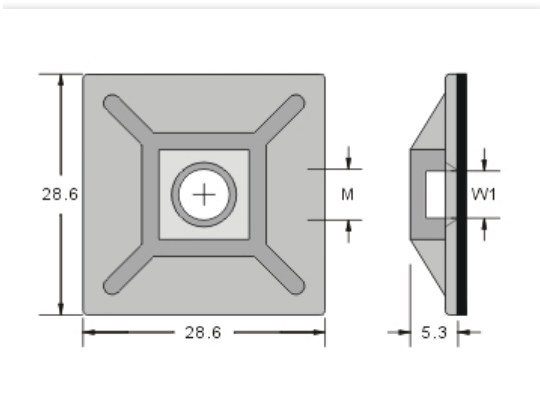


#### Description

#### Features

- Material: UL94V-2 flame rated, UL approved Nylon 66 with adhesive tape.
- Color : Natural , available in other color.
- SELF-ADHESIVE TIE MOUNT is designed to support light weight wire bundles when properly applied on any clean, smooth, grease-free surface. For heavy support, mounting hole is provided for screws.
- To apply, simply peel off liner and apply mount to surface. After that, cable ties can be inserted to secure wire bundles.
- 4 way entry

#### Dimensional Drawing



#### Certification



#### + Base Data

Applicable cable tie width	5.5
Mounting Hole	5.0

<b>Material</b>		NYLON 66
<b>Color</b>		Natural
<b>Certification</b>		Halogen-Free,RoHS
<b>Packing</b>		100pcs