

# Limit Switch

---

## VG



## APPLICATION

Kiepe Limit switches are designed for a maximum of safe operation under severe conditions. (i.e. conveyor lines, unloaders, bulk handling systems ...)

The switch enclosure consists of corrosionresistant aluminium alloy. All external parts are either of stainless steel or have been specially plated. All VG-types are fitted with snap acting switching elements.

## TECHNICAL DATA

Device complies with	EN 60947-5-1 VDE 0110 - Degree of Pollution: 2 (interior). 4 (exterior) EN 60204
Enclosure	Aluminium alloy GK-ALSi 12
Finish	2-Component DD-tile enamel, yellow
Fastening	By means of 2 oblong holes for M6 bolts
Cable entry	3 x M20 x 1,5
Protection	IP 65 to EN 60529
Rated insulation voltage $U_i$	AC 380 V / DC 440 V
Earthing	Within enclosure, M5
Admissible ambient temperatures <sup>1)</sup>	-25 °C ... +70 °C
Switching elements	Snap acting switches
Number of contacts	1 N. C. + 1 N. O. or 2 N. C. + 2 N. O.
Conventional thermal current $I_{th}$	10 A
Breaking capacity $I_e/U_e$	5 A/AC 250 V
Operation per hour	1500
Connections	Screw clamp terminals for a wire gauge of 2,5 mm <sup>2</sup>
Mechanical life	0,5 x 10 <sup>6</sup> switching cycles
Switching point	At approx. 10° vertical
Options	Ventilation duct to avoid condensation

<sup>1)</sup> Deviating ambient temperature upon request.

## SELECTION TABLE FOR LIMIT SWITCH VG

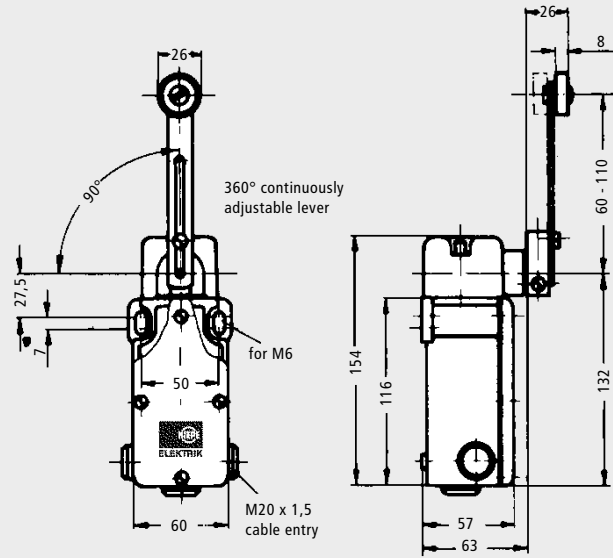
Type Ref.	No. of Contacts		Ordering Code	Weight kg/ea.
	N. C.	N. O.		
	┌	└		
VG 03/1	1	1	92.038 143.101	0,72
VG 033/1	2	2	92.038 143.111	0,72
VG 03/2	1	1	92.038 143.201	0,73
VG 033/2	2	2	92.038 143.211	0,73
VG 03/3	1	1	92.038 143.301	0,77
VG 033/3	2	2	92.038 143.311	0,77
VG 03/4	1	1	92.038 418.501	0,50
VG 033/4	2	2	92.038 418.511	0,50
VG 03/9	1	1	92.038 143.401	0,80
VG 033/9	2	2	92.038 143.411	0,80

### Spares

Switching element	215.15.14.10.00
Ventilation duct	580.00.16.01.01

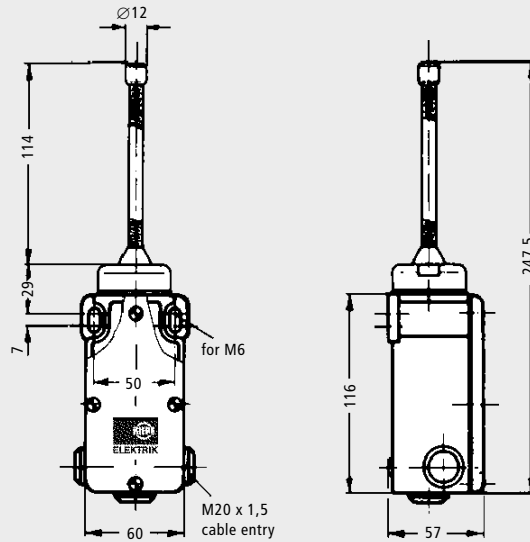
**Adjustable length lever with ball bearing roller**

VG 03/9 and VG 033/9



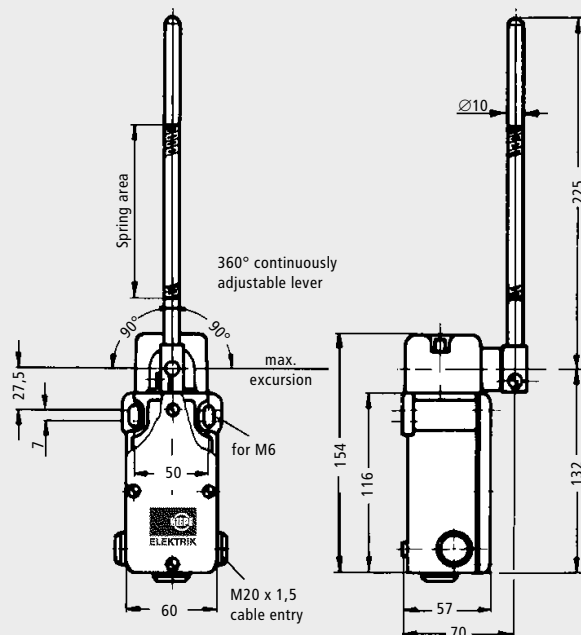
**Wobble stick**

VG 03/4 and VG 033/4



**Spring rod**

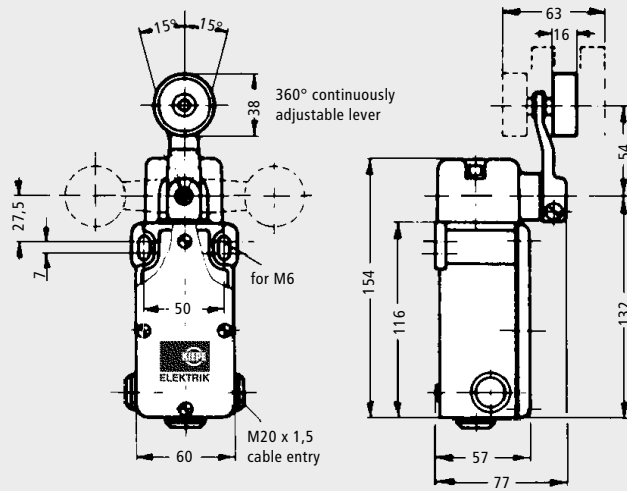
VG 03/3 and VG 033/3



## DIMENSIONS

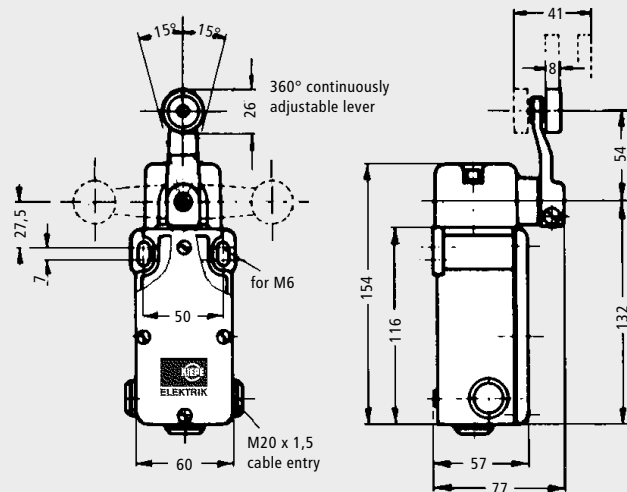
### Plastic roller

VG 03/1 and VG 033/1



### Ball bearing roller

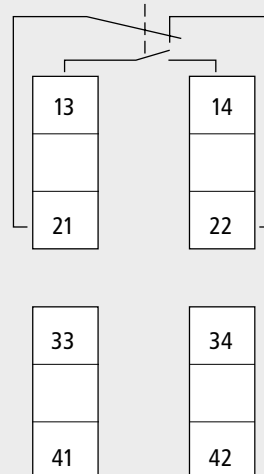
VG 03/2 and VG 033/2



## CONNECTION DRAFT OF SWITCHING ELEMENTS

Terminal Markings DIN EN 50013

Position of head



Subject to change without notice.

**Kiepe Electric GmbH**

40599 Düsseldorf (Germany) · Kiepe-Platz 1  
 Phone +49(0)211 74 97-0 · Fax +49(0)211 74 97-420  
 info@kiepe-elektrik.com · www.kiepe-elektrik.com

318/05-07/17