

Terminal Blocks, Type AB1

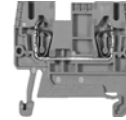
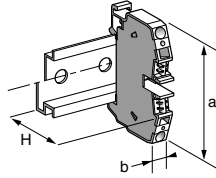
Spring technology

Passthrough

Clip-on mounting on 35 mm $\frac{1}{2}$ rails

Nominal wire size

2.5 mm²



AB1RRN235U2**

Approximate dimensions, in. (mm)

1	Length (a)	1.85 (47.1)
	Width (b)	0.20 (5)
	Height (H) $\frac{1}{2}$ rail	1.80 (45.6)
	with $\frac{1}{2}$ rail	1.50 (38.1)

Wire size, mm²

Stranded without cable end	0.13–2.5
Stranded with cable end	0.5–2.5
Solid	0.13–4

Nominal electrical values

IEC/EN 60947-7-1	800 V / 8 kV / 3–24 A
UL File E164359 CCN XCFR2	22–12 AWG, 600 V, 20 A
CSA File 702070 Class 6228 01	24–12 AWG, 600 V, 24 A
UTE, category C	—
VDE, group C	800 V / 24 A

Certifications

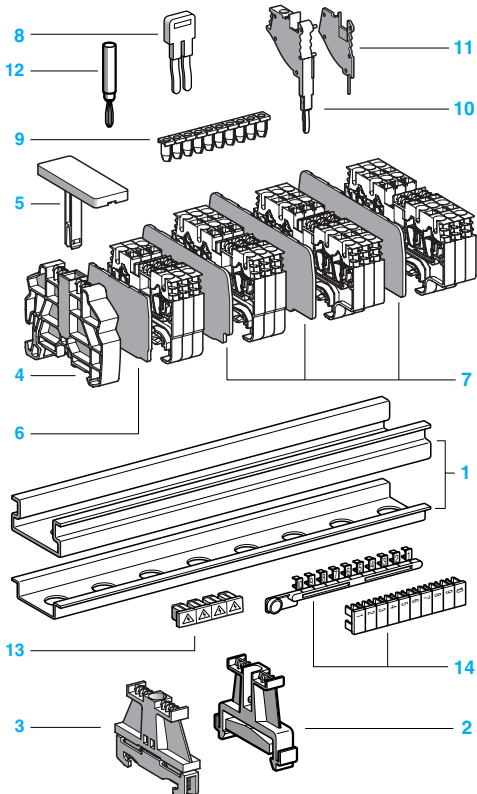
See the tables beginning on page 1/10.

Terminal Blocks

	No. points	Sold in lots of	Catalog number	Weight oz (g)
Gray	2	100	AB1RRN235U2GR	0.19 (5.5)
Blue	2	100	AB1RRN235U2BL	0.19 (5.5)
Black	—	—	—	—

Accessories

2	Plastic end clamp with screw	Width 0.3 in. (8 mm) on $\frac{1}{2}$ or $\frac{1}{4}$	—	100	AB1AB8P35	0.21 (5.9)
3	Metal end clamp with screw	Width 0.3 in. (8 mm) on $\frac{1}{2}$ or $\frac{1}{4}$	—	100	AB1AB8M35	0.52 (14.8)
4	Clip-on plastic end clamp	Width 0.3 in. (8 mm) on $\frac{1}{2}$ or $\frac{1}{4}$	—	100	AB1AB8R35	0.21 (5.9)
5	Marker tag holder for clip-on plastic end clamp		—	10	AB1SB4	0.11 (3.1)
6	End plate	Gray thickness 0.06 in. (1.5 mm)	—	10	AB1RRNAC242GR	0.08 (2.3)
		Blue	—	10	AB1RRNAC242BL	0.08 (2.3)
7	Partition plate	Gray thickness 0.06 in. (1.5 mm)	—	10	AB1RRNAS242GR	0.10 (2.9)
		Blue	—	10	AB1RRNAS242BL	0.10 (2.9)
8	Insulated jumper	2-pole	—	10	AB1RRAL22	0.04 (1.1)
		3-pole	—	10	AB1RRAL23	0.06 (1.7)
		4-pole	—	10	AB1RRAL24	0.08 (2.2)
		5-pole	—	10	AB1RRAL25	0.10 (2.8)
		10-pole	—	20	AB1RRAL210	0.20 (5.6)
9	Wire guide entry strip	0.13–0.2 mm ² White	—	100	AB1RRNGF01	0.03 (0.9)
		0.25–0.5 mm ² Gray	—	100	AB1RRNGF02	0.03 (0.9)
		0.75–1 mm ² Black	—	100	AB1RRNGF03	0.03 (0.9)
10	Modular test connector	Gray	—	10	AB1AT3	0.08 (2.4)
11	Modular test connector end plate		—	10	AB1AC3	0.01 (0.4)
12	Test plug	Red	—	10	AB1AT1	0.07 (1.9)
13	Terminal cover		—	10	AB1RRNCS2	0.01 (0.3)
14	Marking accessories		See pages 5/2 and 5/3.			



Terminal Blocks, Type AB1

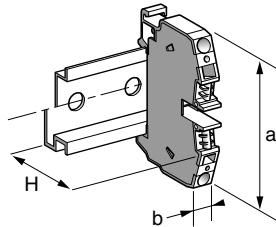
Screw clamp technology

Passthrough

Clip-on mounting on 35 mm \mathcal{E} 5 \mathcal{E} 4 rails

Nominal wire size

2.5 mm²



AB1VV235U**

1	Approximate dimensions, in. (mm)	Length (a)	1.57 (40)
		Width (b)	0.20 (5)
		Height (H) with \mathcal{E} 5 rail	2.20 (56)
	Wire size, mm ²	with \mathcal{E} 4 rail	1.91 (48.5)
		with \mathcal{E} 3 rail	2.09 (53)
		Stranded w/o cable end	0.5–2.5
	Tightening torque	Stranded + cable end	0.5–1.5
		Solid	0.5–4
		IEC	0.4–0.6 N•m
	Nominal electrical values	UL	8.0 lbf-in
		IEC/EN 60947-7-1 (1)	800 V / 8 kV / 3–24 A
		UL (4)	22–12 AWG, 600 V, 20 A
		CSA (5)	24–12 AWG, 600 V, 25 A
		UTE, category C	500 Vac, 500 Vdc
		VDE, group C	750 Vac, 900 Vdc, 26 A
Certifications	ATEX - EEx eII II 2GD	2.5 mm ² , 750 V, 23 A, KEMA 02 ATEX 2114 U	
		See the tables beginning on page 1/12.	

Terminal blocks

	No. points	Sold in lots of	Catalog number	Weight oz (g)
Gray	2	100	AB1VV235U	0.23 (6.5)
Blue	2	100	AB1VV235UBL	0.23 (6.5)
Orange	2	100	AB1VV235UGE	0.23 (6.5)
Red	—	—	—	—
Green	—	—	—	—
White	—	—	—	—
Black	—	—	—	—

Accessories

2	Plastic end clamp with screw	Width 0.3 in. (7.5 mm) on \mathcal{E} 3	—	100	AB1AB7P32	0.15 (4.2)
		Width 0.3 in. (8 mm) on \mathcal{E} 5 or \mathcal{E} 4	—	100	AB1AB8P35	0.21 (5.9)
3	Metal end clamp with screw	Width 0.4 in. (10 mm) on \mathcal{E} 3	—	100	AB1AB10M32	0.23 (6.5)
		Width 0.3 in. (8 mm) on \mathcal{E} 5 or \mathcal{E} 4	—	100	AB1AB8M35	0.52 (14.8)
4	Clip-on plastic end clamp (2)		—	100	AB1AB8R35	0.21 (5.9)
5	Marker holder for clip-on plastic end clamp		—	10	AB1SB4	0.11 (3.1)
6	End plate thickness 0.06 in. (1.5 mm)	Gray	—	50	AB1AC24	0.07 (1.9)
		Blue	—	50	AB1AC24BL	0.07 (1.9)
		Orange	—	50	AB1AC24GE	0.07 (1.9)
		Black	—	50	AB1AS24	0.09 (2.6)
7	Partition plate thickness 0.06 in. (1.5 mm)	Gray	—	50	AB1AS24	0.09 (2.6)
		Blue	—	50	AB1AS24BL	0.09 (2.6)
		Red	—	—	—	—
		Black	—	—	—	—
8	Jumper with screws	Non-insulated	80	10	AB1AL2	3.7 (105.0)
		Insulated (3)	2	10	AB1ALN22	0.07 (2.0)
			10	10	AB1ALN210	0.35 (10.0)
9	Jumper for 2 blocks (1)		2	50	AB1BL2	0.35 (10.0)
10	Socket for test plug, \varnothing 0.09 in. (2.3 mm)		—	50	AB1A2	0.018 (0.5)
11	Test plug	Red	—	50	AB1AT1	0.06 (1.7)
12	Terminal cover		4	100	AB1CS2	0.007 (0.2)
13/15	Marking accessories		See pages 5/2 and 5/3.			
16	Yellow partition plate		1	100	AB1CJ2	0.011 (0.3)
17/18	Yellow protective cover	Single point	1	100	AB1CA2	0.004 (0.1)
		10 points	—	—	—	—

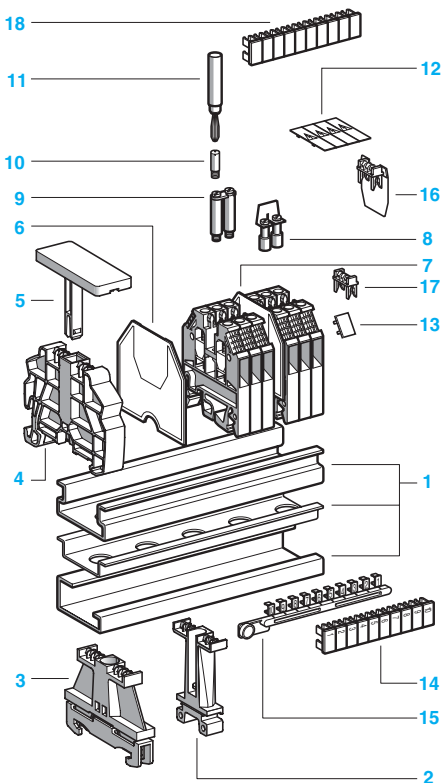


Table Footnotes:

- (1) When using jumpers, the rated voltage is reduced to 400 V/6 kV/3.
- (2) Width 0.3 in. (8 mm) on \mathcal{E} 5 or \mathcal{E} 4.
- (3) Depending on the size of the terminal block, other jumpers between 2 and 12 points may be available.
- (4) File E164359 CCN XCFR2.
- (5) File 702070 Class 6228 01.