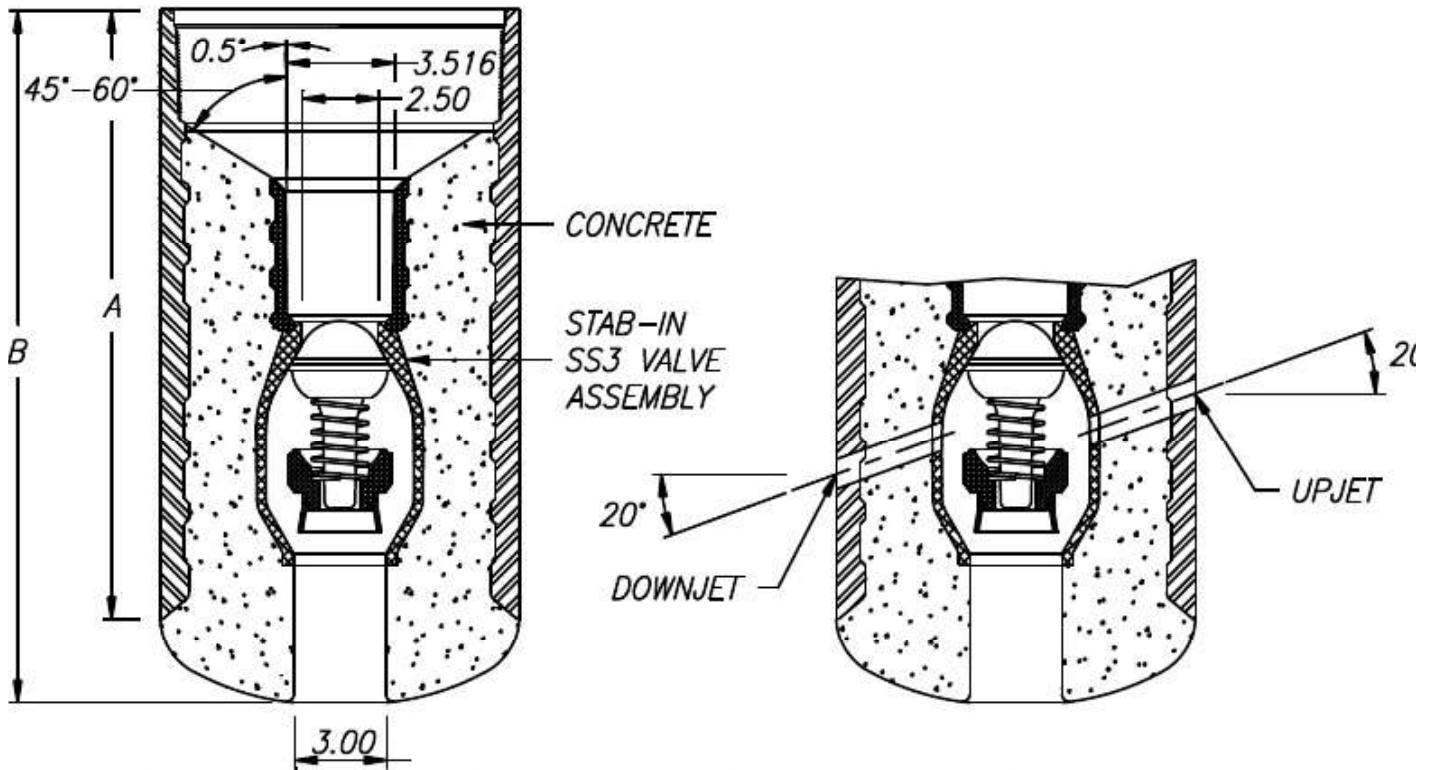




## 303-1 STAB-IN FLOAT SHOE SURE SEAL 3

**NOTE:** MODEL 154 STAB-IN STINGER REQUIRED.  
 ALSO AVAILABLE WITH  
 UPJET PORTS (MODEL 313-1)  
 DOWNJET PORTS (MODEL 323-1)



### SPECIFICATIONS FOR STANDARD WEIGHT

SIZE	O.D.	DRILLOUT I.D.	WT. RANGE (LB. / FT.)	8 ROUND		BUTTRESS	
				A	B	A	B
9-5/8	10.63	8.865	32.30-53.50	24.75	27.50	24.75	27.50
10-3/4	11.75	10.056	32.75-65.70	23.00	25.75	24.50	27.25
11-3/4	12.75	11.020	42.00-71.00	23.25	25.75	24.75	27.25
13-3/8	14.38	12.579	48.00-72.00	24.00	26.25	25.50	27.75
16	17.00	15.124	65.00-109.00	25.75	28.75	26.75	29.75
18-5/8	20.00	17.755	87.50-139.00	27.50	30.75	28.50	31.75
20	21.00	19.125	94.00-133.00		31.50		32.50