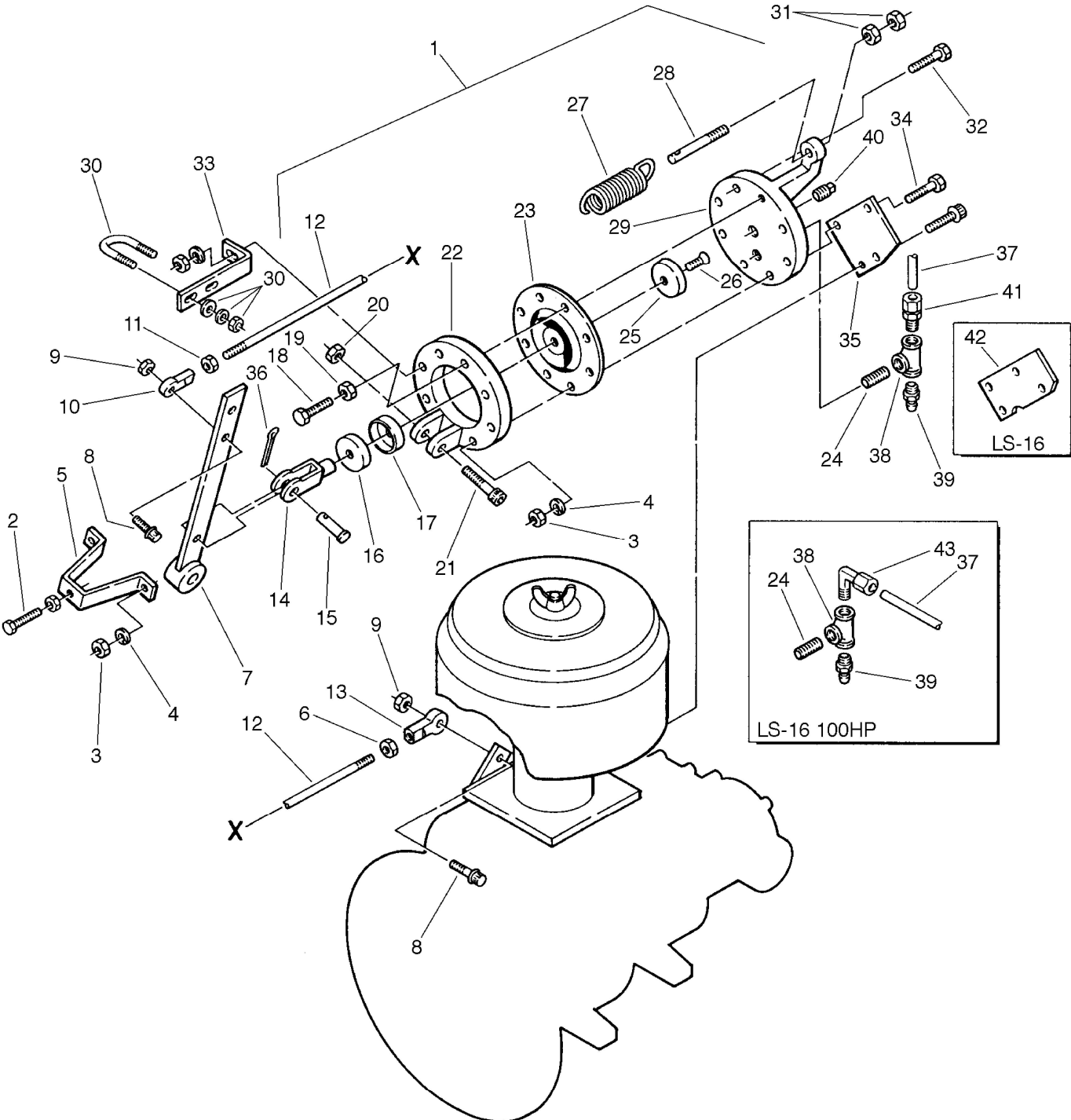


Section 7  
**ILLUSTRATIONS AND PARTS LIST**

**7.15 CAPACITY CONTROL SYSTEM (LS-12 AND LS-16 SERIES)**



Section 7

# ILLUSTRATIONS AND PARTS LIST

---

## 7.15 CAPACITY CONTROL SYSTEM (LS-12 AND LS-16 SERIES)

<i>key number</i>	<i>description</i>	<i>part number</i>	<i>quantity</i>
1	control, Sullicon (12 Series) (I)	250026-010	1
	Scontrol, Sullicon (12 Series) (I)	250026-011	1
2	capscrew, hex 3/8" - 16 x 2" gr5	828606-200	1
3	nut, hex 3/8" - 16	824206-337	7
4	washer, springlock regular 3/8"	837506-094	4
5	bracket, cont. stop	020864	1
6	nut, hex jam - left hand 5/16"	824705-195	1
7	lever, control	011084	1
8	capscrew, ferry head 5/16" x 1 1/2"	828405-150	1
9	nut, hex 5/16" - 18	824205-273	3
10	rod end, spherical 5/16" - right hand	040136	1
11	nut, hex jam unfinished 5/16" - 24 - right hand	824605-195	1
12	rod end (12 Series)	250002-552	1
	Srod end (16 Series)	020685	1
13	rod end, spherical 5/16" - left hand	042004	1
14	yoke, rod end 1/4" - 28	040138	1
15	pin, yoke 1/4"	040065	1
16	plunger	020094	1
17	seal, cup	042538	1
18	screw, machine hex head 5/16" - 24 x 2"	831105-200	1
19	nut, hex jam unfinished 5/16" - 24 - right hand	824605-195	1
20	nut, hex locking plated 3/8" - 16	825506-166	1
21	screw, machine shoulder 3/8" x 2"	830506-200	1
22	body, control	021635	1
23	diaphragm, Sullicon	250020-028	1
24	nipple, galvanized 1/4" x 1 1/2" (12 Series only)	823204-015	1
	Snipple, galvanized 1/4" x close xs (16 Series only)	823204-000	1
25	washer, backup	021172	1
26	screw, sealing 1/4" - 28 x 3/4" nf	041264	1
27	spring, control light	250006-526	1
28	bolt, adjusting Sullicon spring	250009-134	1
29	cover, control	021654	1
30	u-bolt, 1/2" x 3/4" pipe	829004-075	1
31	nut, hex unfinished 3/8" - 16	824206-337	2

(Continued on page 83)

(I) For maintenance on Sullicon Control no.'s 250026-010 and 250026-011, order repair kit no. 250020-353.

---

PLEASE NOTE: WHEN ORDERING PARTS, ALWAYS INDICATE SERIAL NUMBER OF COMPRESSOR.