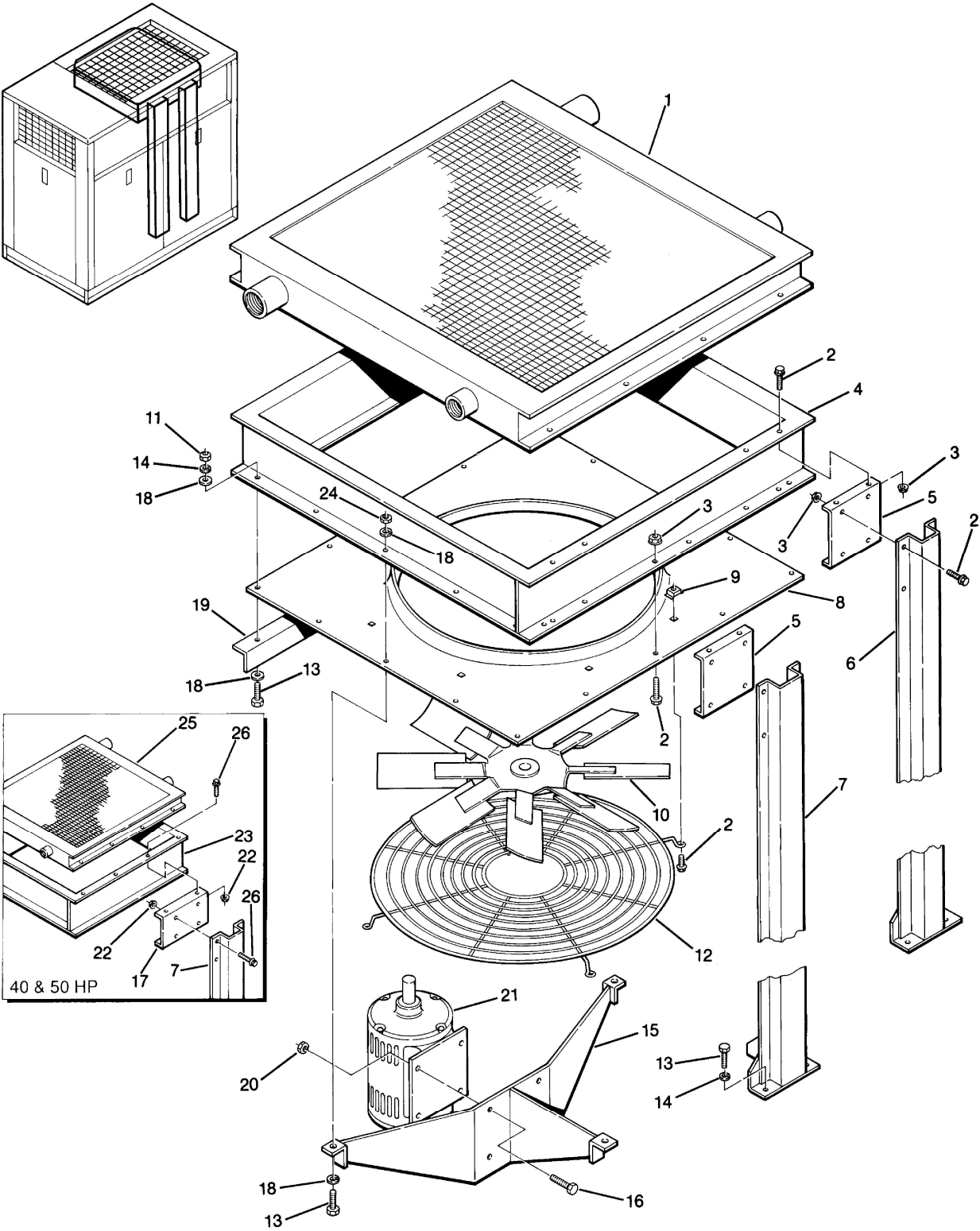


Section 7
ILLUSTRATIONS AND PARTS LIST

7.14 AIR-COOLED COOLING ASSEMBLY (LS-12 AND LS-16 SERIES)



Section 7

ILLUSTRATIONS AND PARTS LIST**7.14 AIR-COOLED COOLING ASSEMBLY (LS-12 AND LS-16 SERIES)**

<i>key number</i>	<i>description</i>	<i>part number</i>	<i>quantity</i>
1	cooler, fluid aftercooler assembly		
	S12 Series 40HP	250038-657	1
	S12 Series 50 and 60HP; 16 Series 60 and 75 HP	250038-658	1
	S16 Series 100HP	02250053-915	1
2	screw, hex serrated washer		
	S12 Series 60HP	829705-075	39
	•16 Series 60, 75 and 100HP	829705-075	43
3	nut, hex flanged plated washer 5/16" - 18		
	•12 Series 60HP	825305-283	37
	•16 Series 60, 75 and 100HP	825305-283	41
4	adapter, venturi		
	•12 Series 40 and 50HP	250017-271	1
	•12 Series 60HP; 16 Series 60 and 75 HP	250017-270	1
	•16 Series 100HP	02250043-113	1
5	bracket, cooler support		
	•12 Series 60HP; 16 Series 60 and 75 HP	250018-002	2
	•16 Series 100HP	02250043-127	2
6	support, cooler 54 1/4"	250017-631	1
7	support, cooler 54 1/4"		
	12 Series 60HP; 16 Series 60, 75 and 100HP	250017-630	1
8	panel, venturi		
	•12 Series 40 and 50HP	250017-494	1
	•12 Series 60HP; 16 Series 60, 75 and 100HP	250017-495	1
9	nut, retainer 5/16" - 18	861405-092	4
10	fan, 22"		
	•12 Series 40 and 50HP	241390	1
	•12 Series 60HP; 16 Series 60, 75 and 100HP	049971	1
11	nut hex 3/8" - 16	824206-337	8
12	guard, fan 24"		
	•12 Series 40 and 50HP	241501	1
	•12 Series 60HP; 16 Series 60, 75 and 100HP	241079	1
13	capscrew, hex 3/8" x 1 1/4" gr5		
	•12 Series 40 and 50HP	828606-125	7
	•12 Series 60HP; 16 Series 60, 75 and 100HP	828606-125	9

(Continued on page 79)

PLEASE NOTE: WHEN ORDERING PARTS, ALWAYS INDICATE SERIAL NUMBER OF COMPRESSOR.