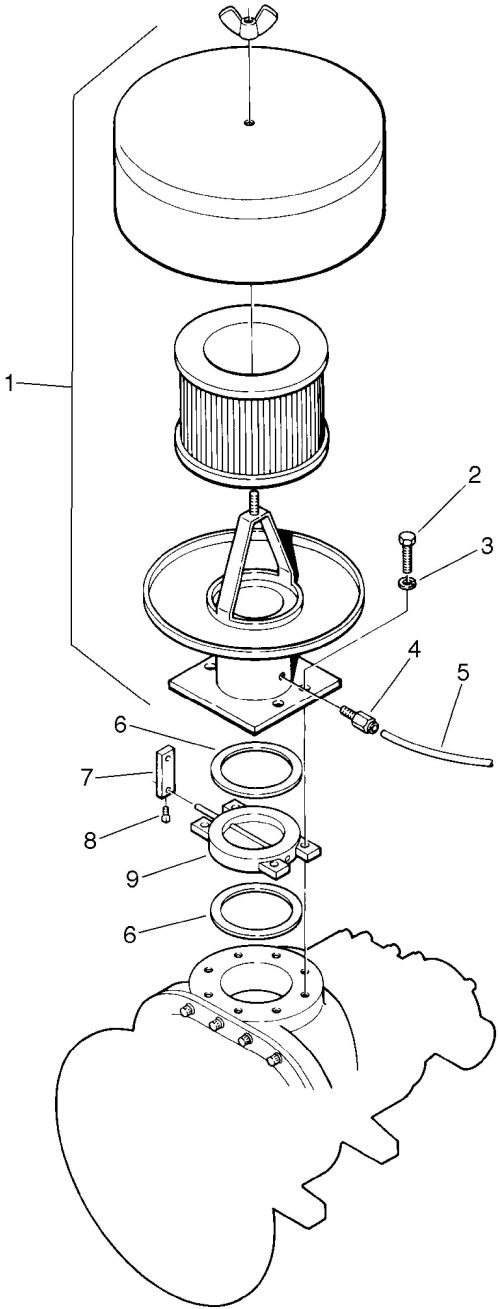
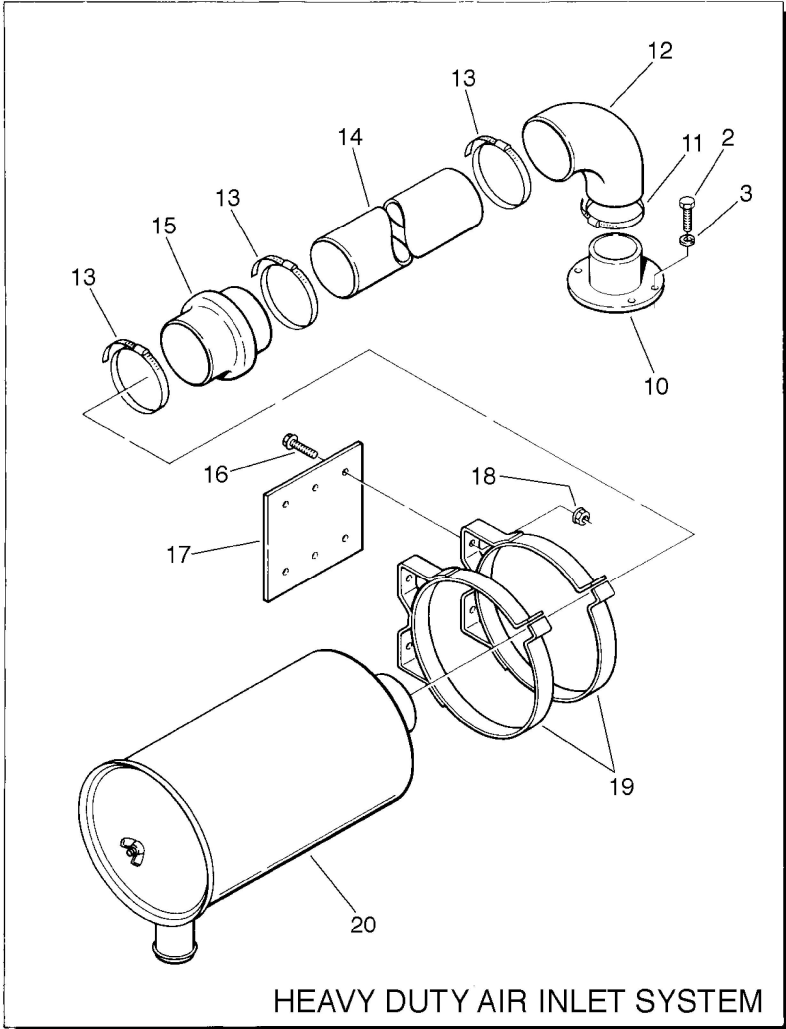


7.6 AIR INLET SYSTEM (LS-12 AND LS-16 SERIES)



Section 7

ILLUSTRATIONS AND PARTS LIST

7.6 AIR INLET SYSTEM (LS-12 AND LS-16 SERIES)

<i>key number</i>	<i>description</i>	<i>part number</i>	<i>quantity</i>
1	filter, assembly air (with flanged base) (I)	250020-315	1
2	capscrew, hex 1/2" - 13 x 2 1/2"	828608-250	4
3	washer, springlock 1/2"	837508-125	4
4	connector, tube-straight 1/8"npt x 1/4"t	813604-125	1
5	tubing, thermoplastic 1/4"od	250024-745	7 ft.
6	gasket, 1/32" x 5 1/4"od x 4 1/8"id	040708	2
7	lever, inlet valve	020687	1
8	screw, set 5/16" - 18 x 3/4"	408383	1
9	valve, butterfly 4"	040640	1
10	adapter, compressor inlet assy	02250046-257	1
11	clamp, hose	040642	1
12	elbow, rubber reducing 4" x 5"	047275	1
13	clamp, hose 6"	408153	3
14	tube, aluminum 5" x 23"	02250046-003	1
15	hose, hump 5"	02250045-989	1
16	screw, hex serrated wash 5/16" x 3/4"	829705-075	
17	support, bracket filter	02250046-997	1
18	nut, hex flanged 5/16" - 18	825305-283	1
19	band, mounting 12"	040081	2
20	filter, assy air (16 Series 100HP) (II)	02250045-855	1
	Sfilter, assy air (12 Series 40 and 50HP) (III)	049103	1
	Sfilter, assy air (12 Series 60HP; 16 Series 60 and 75HP) (IV)	047274	1

(I) For maintenance on air filter assembly no. 250020-315, order element no. 040899.

(II) For maintenance on air filter assy no. 02250045-855, order primary element no. 02250046-012, and safety element no. 02250046-013.

(III) For maintenance on air filter assembly no. 049103, order element no. 049301.

(IV) For maintenance on air filter assembly no. 047274, order primary element no. 047542 and safety element no. 047543.

PLEASE NOTE: WHEN ORDERING PARTS, ALWAYS INDICATE SERIAL NUMBER OF COMPRESSOR.