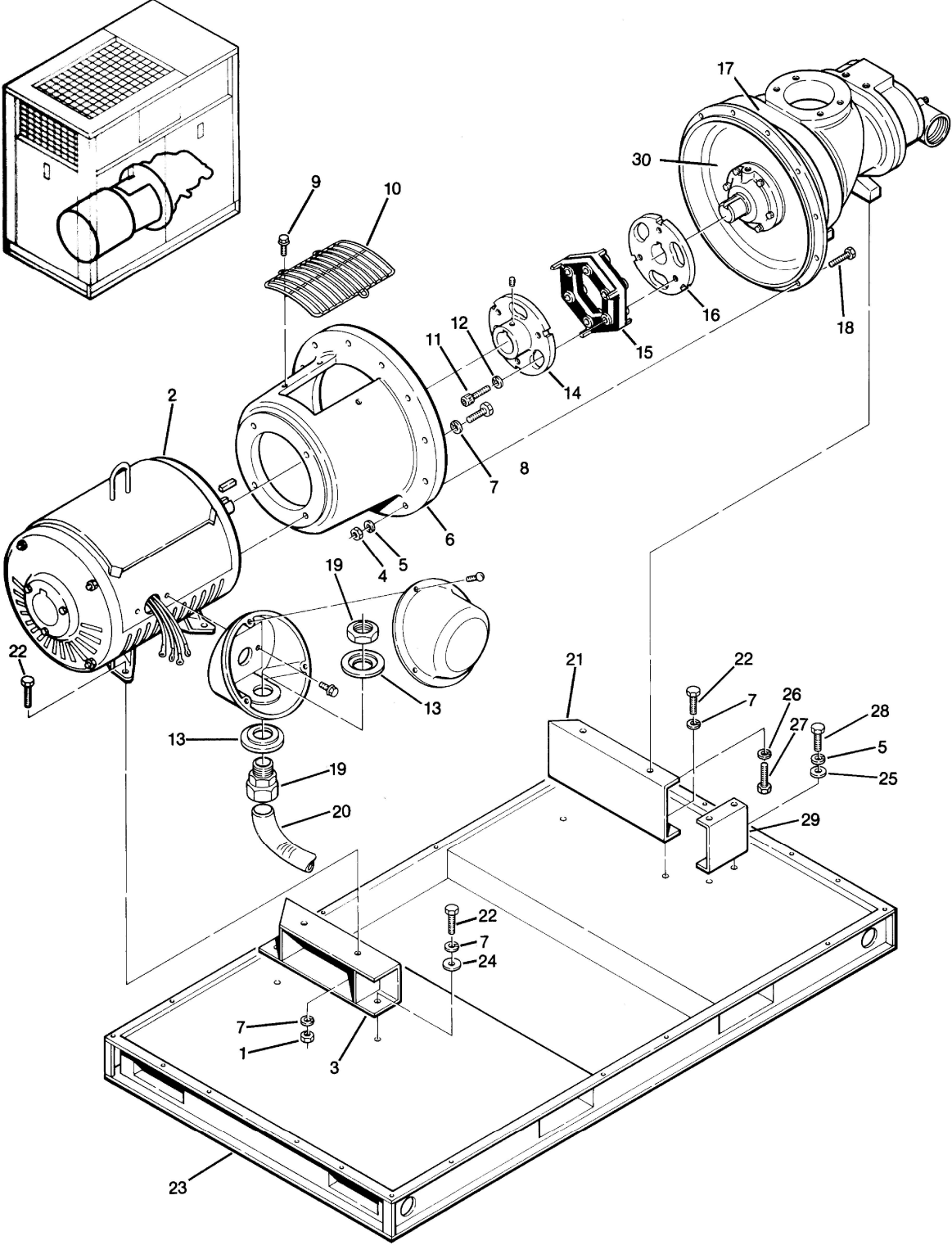


7.3 MOTOR, FRAME, COMPRESSOR AND PARTS (LS-12 SERIES)



Section 7

ILLUSTRATIONS AND PARTS LIST

7.3 MOTOR, FRAME, COMPRESSOR AND PARTS (LS-12 SERIES)

<i>key number</i>	<i>description</i>	<i>part number</i>	<i>quantity</i>
1	nut, hex 5/8"	824210-559	2
2	motor, 40HP (230/460V)	250016-692	1
	Smotor, 50HP (230/460V)	250016-693	1
	Smotor, 60HP (230/460V)	250016-694	1
3	support, motor (60HP)	250018-536	1
	Ssupport, motor (40 and 50HP)	250017-490	1
4	nut, hex 3/8"-16	824206-337	12
5	washer, springlock 3/8"	837506-094	14
6	adapter, motor/compressor	250014-882	1
7	washer, springlock 5/8"	837510-156	10
8	capscrew, hex 5/8"-11 x 1 1/2"	828610-150	4
9	screw, hex serrated washer 5/16" x 3/4"	829705-075	3
10	guard, coupling	250018-412	1
11	capscrew, ferry 1/2"-13 x 2 1/2" (40 and 50HP)	828408-250	6
	Scapscrew, ferry 5/8"-11 x 2 3/4" (60HP)	828410-275	6
12	washer, springlock 1/2" (40 and 50HP)	837508-125	6
	Swasher, springlock 5/8" (60HP)	837510-156	6
13	washer, conduit reducing 3" x 1 1/2"	847012-060	2
14	hub, coupling (40 and 50HP)	250018-005	1
	Shub, coupling (60HP)	250018-008	1
15	element, coupling (40 and 50HP)	250004-641	1
	Selement, coupling (60HP)	250018-551	1
16	hub, coupling (40 and 50HP)	250004-642	1
	Shub, coupling (60HP)	250018-006	1
17	compressor unit (I)	Consult Factory	1
18	capscrew, hex 3/8"-16 x 2 1/4	828606-225	12
19	grip, cord	250014-557	1
20	wire, type g-gc 4 ga	250014-306	4 ft.
21	support, compressor	250017-489	1
22	capscrew, hex 5/8"-11 x 1 1/4"	828610-125	6
23	frame, main	250015-817	1

(Continued on page 37)

(I) There is an exchange program whereby a remanufactured compressor unit can be obtained from Sullair distributors or the factory at less cost than the owner could repair the unit. For information regarding the unit exchange program, contact your nearest Sullair representative or the Sullair Corporation.

The shaft seal is not considered part of the compressor unit in regard to the 2 year warranty, but the normal Sullair parts warranty applies. For shaft seal repairs, order shaft seal repair kit no. 02250050-363 (12 Series 40 and 50HP) or kit no. 02250050-364 (12 Series 60HP), and seal tool kit no. 602542-001.

PLEASE NOTE: WHEN ORDERING PARTS, ALWAYS INDICATE SERIAL NUMBER OF COMPRESSOR.