

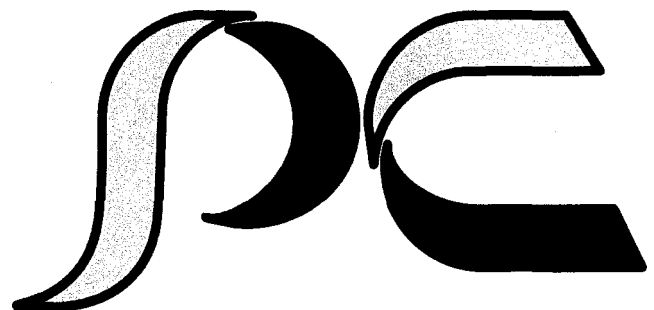
PARTS CATALOG

SCREW COMPRESSOR

PDS390S -4B1 /5B1

PDS390SC -4B1/5B1

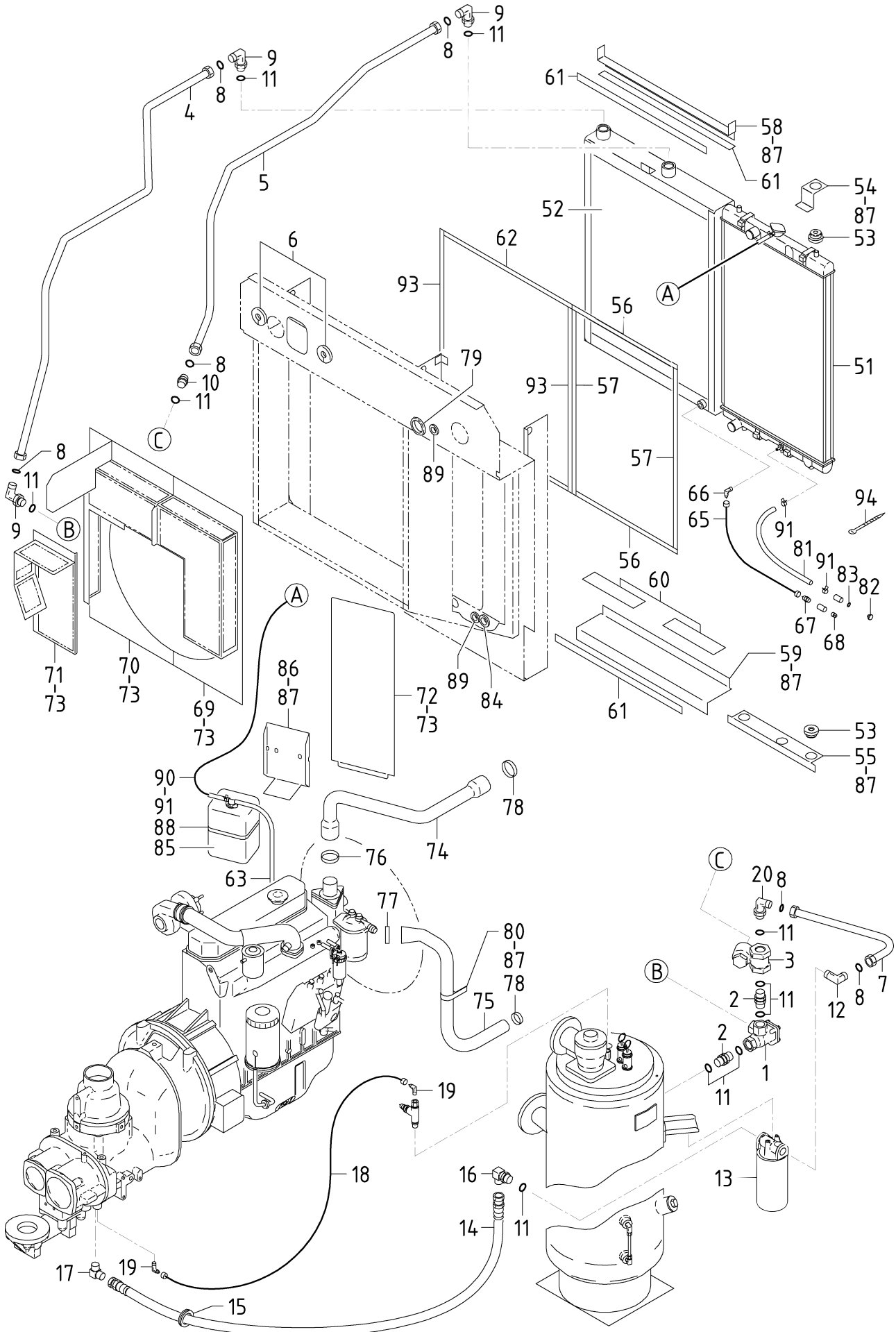
PDS390SD -4B1/5B1



HOKUETSU INDUSTRIES CO., LTD.

適用型式 FOR MODEL

型 式 MODEL	適 用 号 機 SER. NO.
PDS390S-4B1 (TRAILER TYPE)	72-4B10051~
PDS390SC-4B1 (TRAILER·AFTERCOOLER TYPE)	72C4B10051~
PDS390SD-4B1 (TRAILER·DRY AIR TYPE)	72A4B10051~
PDS390S-4B1 (TRAILER[HIGH PRESSURE]TYPE)	79-4B10051~
PDS390SC-4B1 (TRAILER·AFTERCOOLER[HIGH PRESSURE]TYPE)	79C4B10051~
PDS390S-5B1 (BOX TYPE)	72-5B10051~
PDS390SC-5B1 (BOX·AFTERCOOLER TYPE)	72C5B10051~
PDS390SD-5B1 (BOX·DRY AIR TYPE)	72A5B10051~
PDS390S-5B1 (BOX[HIGH PRESSURE]TYPE)	79-5B10051~



37 - 00 OIL LINE & COOLING

見出番号 Ref. NO.	部品番号 Part NO.	互換性 Inter- change ability	部 品 名 称 Part Name	数量 Q'ty	変 更 C/H	備 考 Remarks
37 - 00			OIL LINE GROUP	オイルライングループ		
1	37200 07901		By-pass valve ass'y	1		
	37231 02100		Pellet ass'y	1		
	03402 25050	C	O-ring	1	M32	
	03402 25048	D	O-ring	1	M32	
2	37731 05200		Nipple	2		Incl. No. 11
3	37170 15800		Joint	1		
4	37112 42000		Pipe	1		
5	37114 18500		Pipe	1		
6	52728 06310		Cushion rubber	2		
7	37135 08800		Pipe	1		
7-1	37135 09200	B	Pipe	1	M14	
7-2	37160 11210	B	Hose	1	M60	
7-3	37110 06000	A	Hose	1	M65	
7-4	37110 09000	A	Hose	1	M69-1	
8	37187 01100		O-ring	6		
8-1	37187 01100	Q	O-ring	4	M60	
9	03734 76080		Nipple elbow	3		Incl. No. 11
10	03734 75080		Nipple	1		Incl. No. 11
11	03402 25029		O-ring	10		
11-1	03402 25029	Q	O-ring	12	M14	
12	03734 71080		Nipple elbow	1		
12-1	03734 76080	B	Nipple elbow	1	M14	Incl. No. 11
12-2	GD920 13700	B	Nipple	1	M60	Incl. No. 11
13	37400 13201		Oil filter ass'y	1		
13-1	37400 13700	B	Oil filter ass'y	1	M14	
	37438 05601		Filter cartridge	1		
	02248 10020		Bolt, w/w	2		
14	37160 41600		Pipe	1		
14-1	37110 06200	B	Hose	1	M65-1	
14-2	37110 04800	A	Hose	1	M69-1	
15	03402 00603		Eyelet ring	1		
16	03734 85080		Nipple elbow	1		Incl. No. 11
17	03734 44008		Nipple elbow	1		
17-1	03734 85080	B	Nipple elbow	1	M14	Incl. No. 11
18	03841 20178		Nylon tube, w/n	1		
	06540 07060		Corrugated tube	1		
19	03734 21020		Nipple elbow	2		
20	03734 76080		Nipple elbow	1		Incl. No. 11
20-1	GD920 13700	B	Nipple	1	M60	Incl. No. 11
38 - 00			COOLING GROUP	クーリンググループ		
51	38100 41600		Radiator	1		
51-1	38100 45600	A	Radiator	1	M73-1	
	38410 05700		Cap	1		
52	38200 34900		Oil cooler	1		
52-1	38200 44500	A	Oil cooler	1	M73-1	
53	31131 04900		Rubber, vibration isolator	4		