


NTN BEARING CORPORATION OF AMERICA

Head Office

1600 E. Bishop Court, P.O. Box 7604

Mount Prospect, IL 60056-7604, U.S.A.

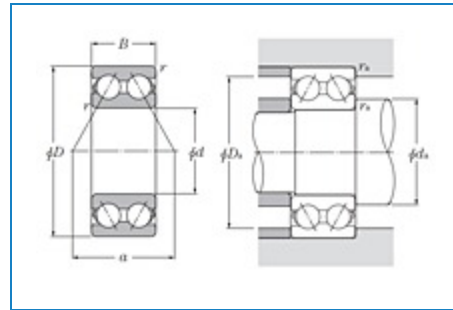
Phone: 847-298-7500

Fax: 847-699-9744

Toll Free: 800-323-2358

Email: mkt@ntnamerica.com
Website: www.ntnamericas.com

Item # 3307C3, Double Row Angular Contact Ball Bearing - Open Type



[Order Now](#) | [Technical Specifications](#) | [Dimensional Specifications](#)

Order Now

Ordering Options

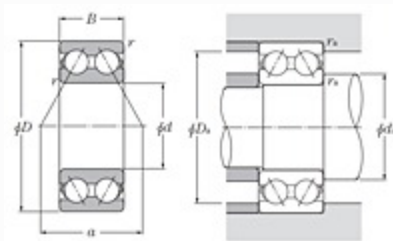
[Order Online through NTN DOL](#)
[Contact NTN Customer Relations](#)
[Search for a Licensed Distributor](#)

Technical Specifications

Type	Angular Contact Ball Bearing
Bore Type	Round
Outside Ring Type	Straight
Material	High Carbon Chrome Steel
Cage Type	Pressed

Cage Material	Steel
Ball Material	Steel
Precision	Class 0
Configuration	Two
Radial Internal Clearance	C3
Static Load Rating	49000 N 49.00 kN
Dynamic Load Rating	48000 N 48.00 kN
Enclosure	Open
Weight	0.784 kg
Operating Temperature Range	-40 to 120 °C

Dimensional Specifications



Double Row Angular Contact Ball Bearing - Open Type - Dimensions

d	35.000 mm
D	80.000 mm
B	34.900 mm
r	1.500 mm
Contact Angle	32 °
a	50.000 mm
da min	43.500 mm

Da max	71.500 mm
---------------	-----------

ras max	1.500 mm
----------------	----------