


NTN BEARING CORPORATION OF AMERICA

Head Office

1600 E. Bishop Court, P.O. Box 7604

Mount Prospect, IL 60056-7604, U.S.A.

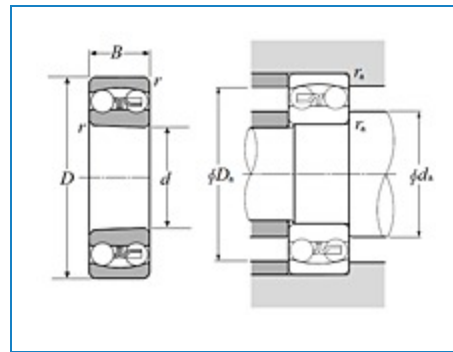
Phone: 847-298-7500

Fax: 847-699-9744

Toll Free: 800-323-2358

Email: mkt@ntnamerica.com
Website: www.ntnamericas.com

Item # 1317K, Self Aligning Ball Bearings w/ Tapered Bore


[Order Now](#) | [Technical Specifications](#) | [Dimensional Specifications](#)

Order Now

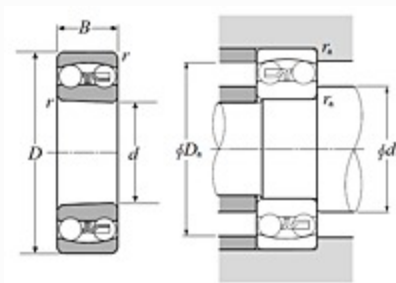
[Ordering Options](#)
[Contact NTN Customer Relations](#)

Technical Specifications

Type	Self Aligning Ball Bearing
Bore Type	Tapered
Material	High Carbon Chrome Steel
Cage Type	Pressed
Cage Material	Steel
Ball Material	Steel

Limiting Speed - Oil	4000 RPM
Limiting Speed - Grease	3400 RPM
Y1	2.90
Y2	4.60
Y0	3.10
Seal Type	None
Seal Material	None
Precision	Class 0
Configuration	One
Radial Internal Clearance	CN
Static Load Rating	8550 lbf 38000 N 38.00 kN
Dynamic Load Rating	22100 lbf 98500 N 98.50 kN
Enclosure	Open
Weight	10.763 lb 4.882 kg
Operating Temperature Range	-40 to 250 °F -40 to 120 °C

Dimensional Specifications



Self Aligning Ball Bearings w/ Tapered Bore - Dimensions

d	3.3465 in 85.000 mm
D	7.0866 in 180.000 mm
B	1.6142 in 41.000 mm
r	0.1181 in 3.000 mm
da min	3.8583 in 98.000 mm
Da max	6.5748 in 167.000 mm
ras max	0.0984 in 2.500 mm