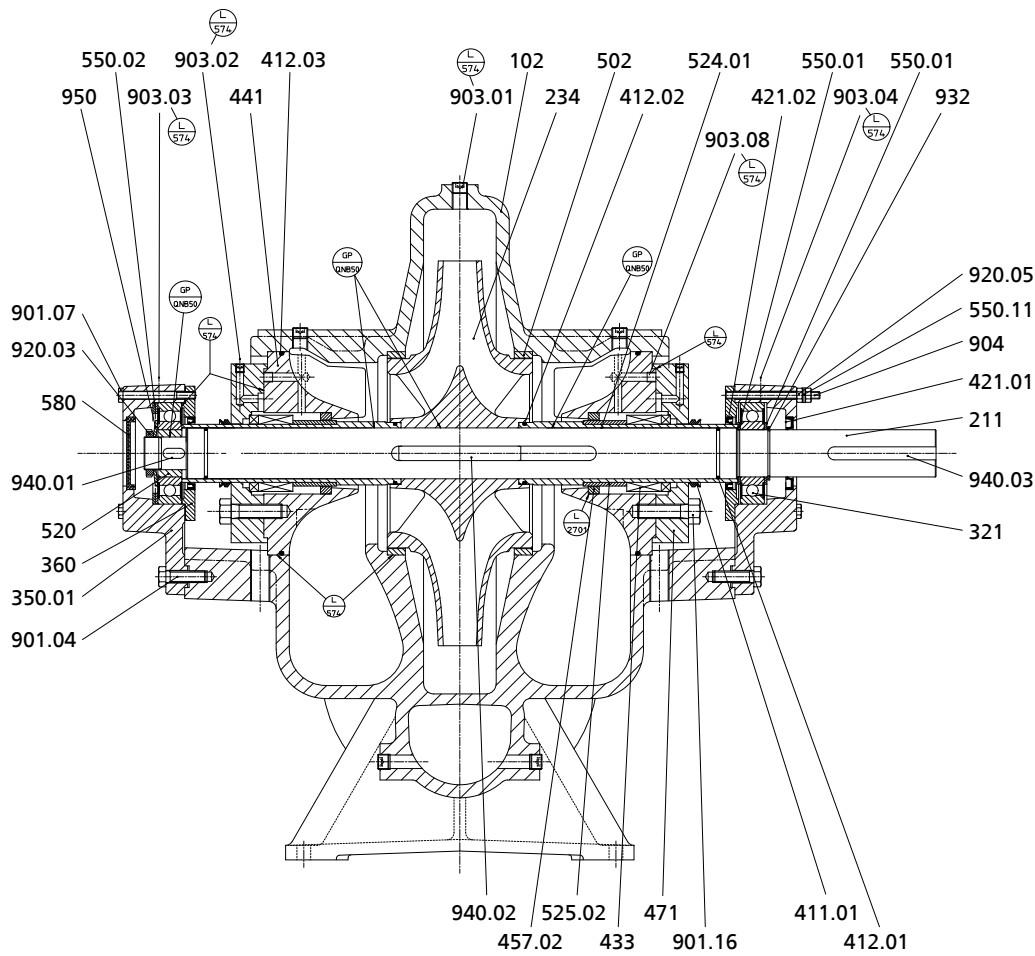


General assembly drawing with list of components

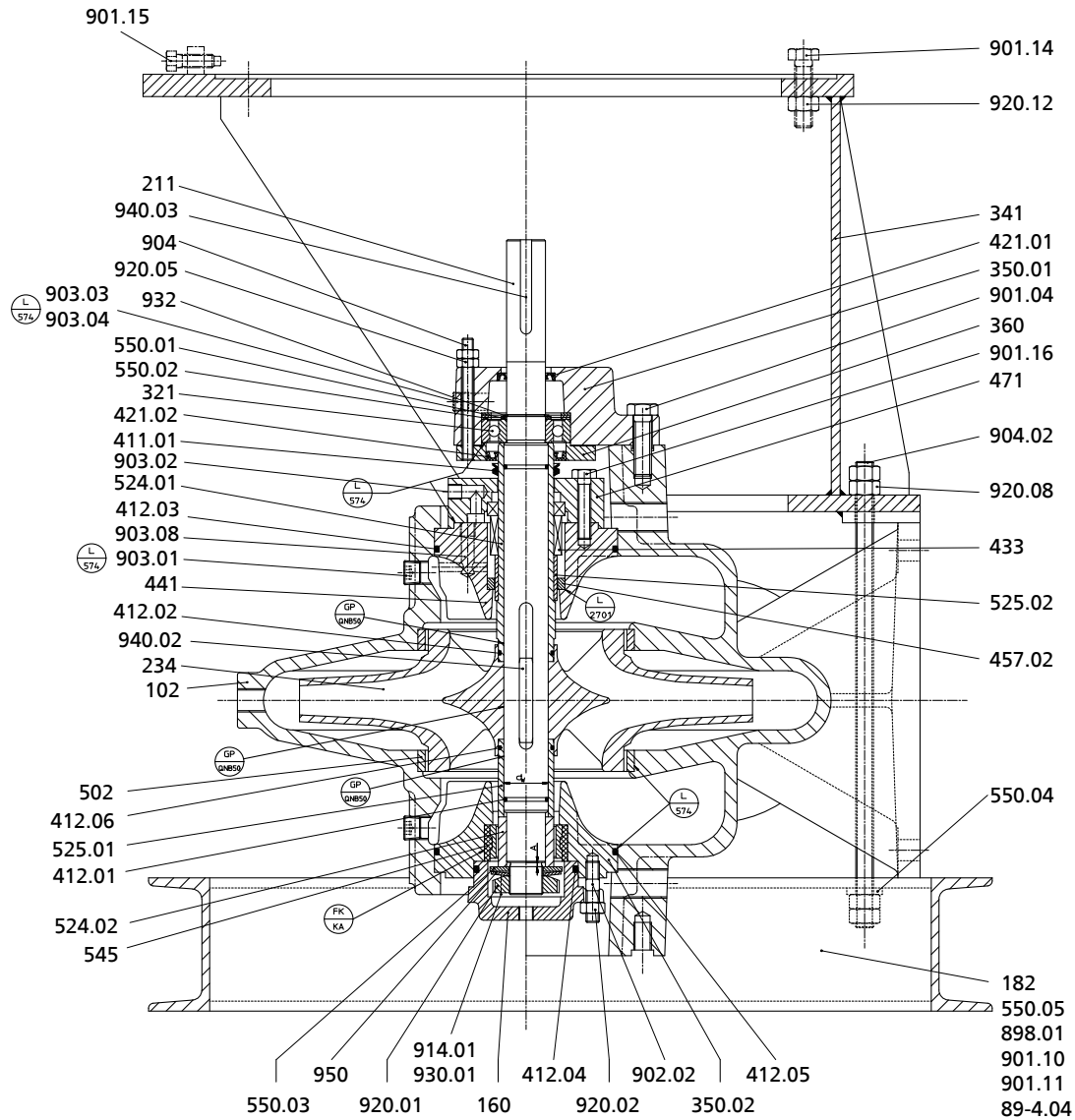
Horizontal installation (example)



List of components

Part No.	Description	Part No.	Description
102	Volute casing	502	Casing wear ring
211	Pump shaft	503	Impeller wear ring
234	Impeller	520	Sleeve
321	Radial ball bearing	524.01	Shaft protecting sleeve
350.01	Bearing housing	525.02	Spacer sleeve
360	Bearing cover	550.01/.02/.11	Disc
411.01	Joint ring	561.01/.02	Grooved pin
412.01/.02/.03	O-ring	580	Cap
421.01/.02	Lip seal	901.01/.02/.03/.04/.7/.16	Hexagon head bolt
433	Mechanical seal	902.01	Stud
441	Shaft seal housing	903.01/.02/.03/.04/.08	Screw plug
452	Gland follower	904	Grub screw
455	Stuffing box insert	920.02/.03/.05	Nut
457.02	Neck ring	932	Circlip
458	Lantern ring	940.01/.02/.03	Key
461	Gland packing	950	Spring
471	Seal cover		

Vertical installation (example)

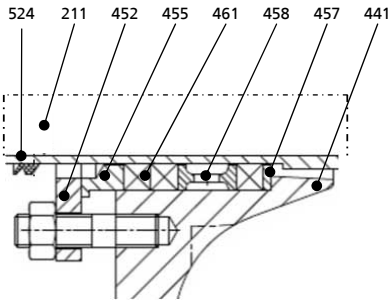


List of components

Part No.	Description	Part No.	Description
102	Volute casing	502	Casing wear ring
160	Cover	503	Impeller wear ring
182	Foot	524.01/.02	Shaft protecting sleeve
211	Pump shaft	525.01/.02	Spacer sleeve
234	Impeller	531.01	Locking sleeve
321	Radial ball bearing	545	Bearing bush
341	Drive lantern	550.01/.02/.03/.04/.05	Disc
350.01/.02	Bearing housing	561.01/.02/.04	Grooved pin
360	Bearing cover	89-4.04	Shim
411.01	Joint ring	898.01	Foundation block
412.01/.02/.03/.04/.05/.06	O-ring	901.01/.02/.03/.04/.10/.11/.12/.13/.14/.15/.16	Hexagon head bolt
421.01/.02	Lip seal	902.01/.02	Stud
433	Mechanical seal	903.01/.02/.03/.04/.08	Screw plug
441	Shaft seal housing	904.02	Grub screw
452	Gland follower	914.01	Hexagon socket head cap screw
455	Stuffing box insert	920.01/.02/.05/.08/.12	Nut
457.02	Neck ring	930.01	Safety device
458	Lantern ring	932	Circlip

Part No.	Description	Part No.	Description
461	Gland packing	940.02/03	Key
471	Seal cover	950	Spring

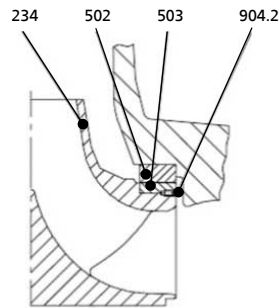
**Standard design: gland packing**



List of components

Part No.	Description
211	Pump shaft
441	Shaft seal housing
452	Gland follower
455	Stuffing box insert
457	Neck ring
458	Lantern ring
461	Packing rings
524	Shaft protecting sleeve

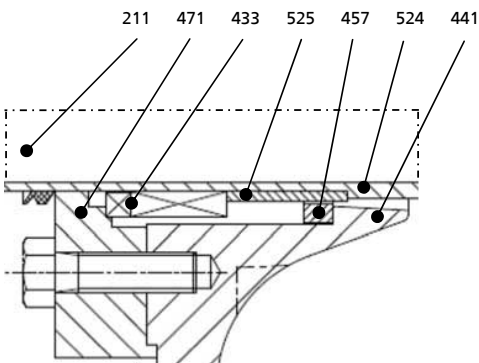
**Standard variant: impeller with impeller wear ring**



List of components

Part No.	Description
234	Double-entry impeller
502	Casing wear ring
503	Impeller wear ring
904.2	Grub screw

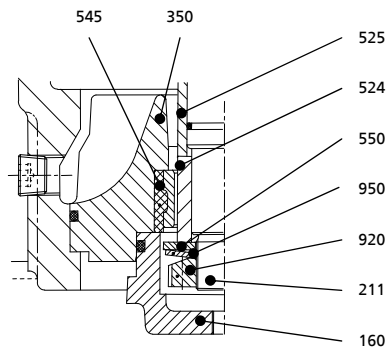
**Standard variant: mechanical seal (schematic)**



List of components

Part No.	Description
211	Pump shaft
433	Mechanical seal
441	Shaft seal housing
457	Neck ring
471	Seal cover
524	Shaft protecting sleeve
525	Spacer sleeve

**Standard design: product-lubricated bearing (Omega V)**



List of components

Part No.	Description
160	Cover
211	Pump shaft
350	Bearing housing
524	Shaft protecting sleeve
525	Spacer sleeve
545	Bearing bush
550	Disc
920	Nut
950	Disc spring