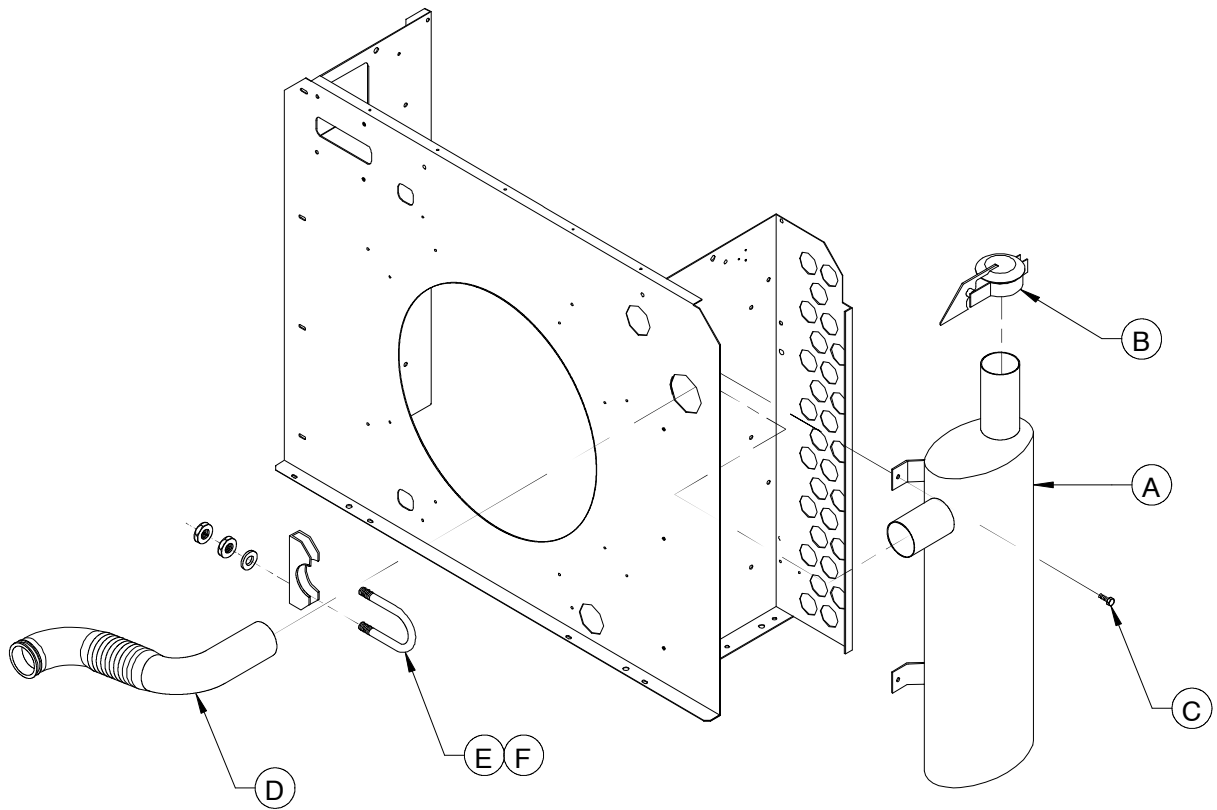


DRAWBAR END



FOR HP300AWCU & P375AWCU ONLY

INGERSOLL-RAND COMPANY		
PORTABLE COMPRESSOR DIVISION		
DATE/DWN BY:	DESCRIPTION	
12/8/95 bc	EXHAUST COMPLETE	
MODEL NO.	MANUAL NO.	DATE/REV:
HP300AWCU P375AWCU	35392877-048	3/97 A

ITEM	C.P.N.	QTY	DESCRIPTION
A	36877330	1	MUFFLER
B	36846484	1	CAP, RAIN
C	96702055	4	SCREW, HEX M8-125 X 20
D	36877843	1	TUBE, EXHAUST
E	35113646	1	CLAMP, SADDLE
F	95922894	4	NUT 3/8-16

FOR HP300AWCU & P375AWCU ONLY

INGERSOLL-RAND COMPANY		
PORTABLE COMPRESSOR DIVISION		
DATE/DWN BY:	DESCRIPTION	
12/8/95 bc	EXHAUST COMPLETE	
MODEL NO.	MANUAL NO.	DATE/REV:
HP300AWCU P375AWCU	35392877-049	11/99 B