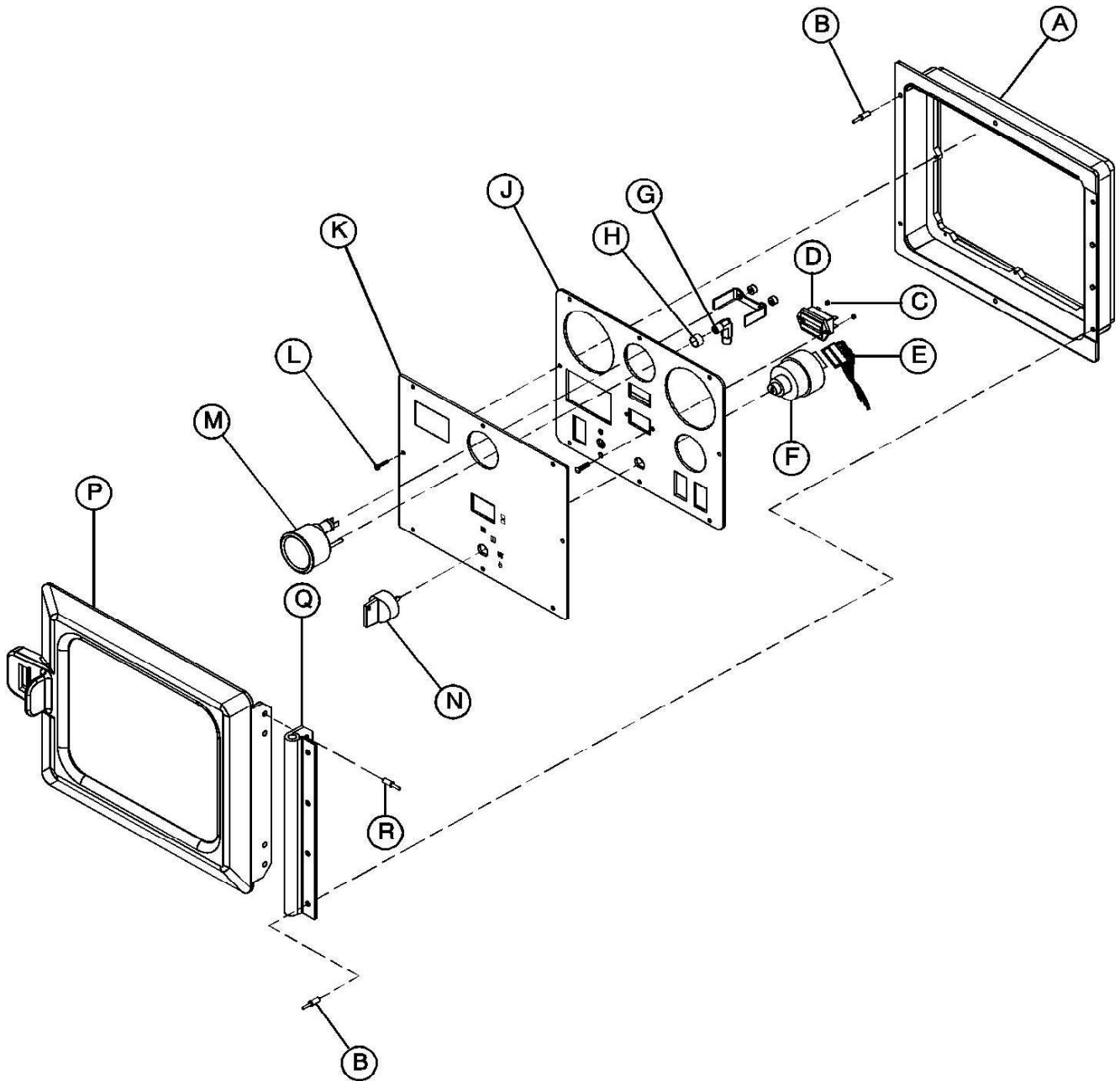


INSTRUMENT / CONTROL PANEL



22442701_041_04/04_A

| ITEM | COMM. NO. | DESCRIPTION | QTY | DIMENSIONS/NOTES |
|------|-----------|----------------------------|-----|------------------|
| K | 22171698 | DECAL, WW INSTRUMENT PANEL | 1 | |
| L | 22070494 | SCREW, PLASTIC TAPPING | 8 | |
| M | 35604065 | GAUGE, 150 PSI PRESSURE | 1 | |
| N | 22134118 | KNOB ASM. | * | WITH SWITCH |
| P | 54482500 | DOOR, INSTRUMENT PANEL | 1 | STANDARD PAINT |
| | 54729199 | DOOR, INSTRUMENT PANEL | 1 | SPECIAL PAINT |
| Q | 22107478 | HINGE, CONTROL PANEL | 1 | |
| R | 54721220 | RIVET, 3/16" ALUMINUM | 4 | |