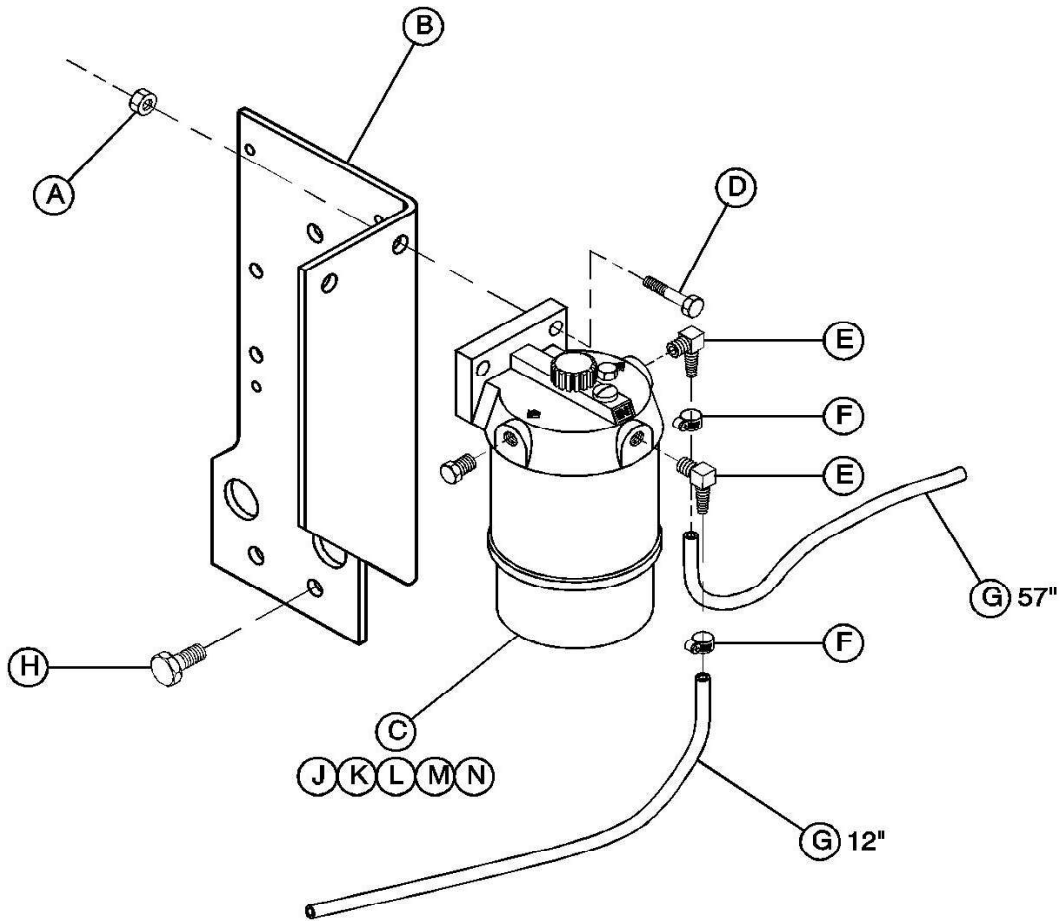


FUEL / WATER FILTER



* AS REQUIRED

** INCLUDED IN FUEL / WATER SEPARATOR FILTER

22442701_036_04/04_A

ITEM	COMM. NO.	DESCRIPTION	QTY	DIMENSIONS/NOTES
A	36881886	NUT, HEX FLANGE M08-1.25	2	
B	36883890	BRACKET, ETHER/FUEL FILTER	1	
C	54468160	FILTER, FUEL/WATER SEPARATOR	1	
D	36889608	SCREW, HEX FLANGE M08-1.25 X 25	2	
E	35378538	ELBOW, BARBED	2	
F	35296342	CLAMP	4	
G	35363498	HOSE, 5/16" FUEL	*	
H	35279025	SCREW, TAPPING M08-1.25 X 20	2	
J	54468178	ELEMENT ASSEMBLY	**	
K	54480504	BOWL	**	
L	54480512	HEAD	**	
M	35358381	COVER, CHECK BALL	**	
N	54480520	PLUG, VENT	**	