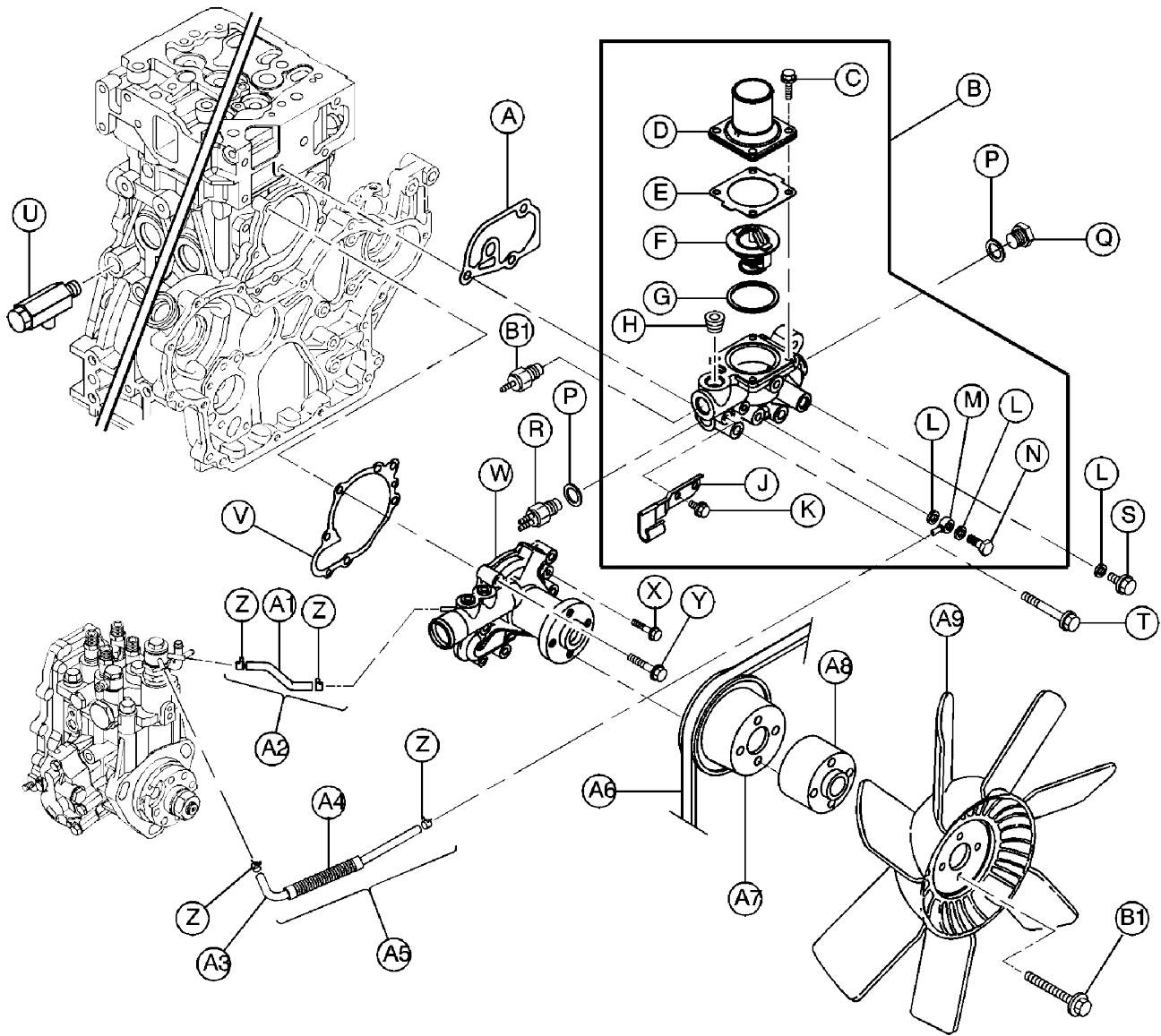


WATER PUMP and THERMOSTAT



22442701_021_11/05_B

ITEM	COMM. NO.	DESCRIPTION	QTY	DIMENSIONS/NOTES
M	15896731	JOINT, 4-8	1	
N	15896723	BOLT, PIPE JOINT	1	
P	15898240	GASKET, 16	2	
Q	15898109	PLUG, M16	1	
R	15898059	SWITCH, ENGINE COOLANT TEMPERATURE	1	
S	15899040	BOLT, M08-1.25 X 12 PLATED	1	
T	15895105	BOLT, M08-1.25 X 60 PLATED	3	
U	16539686	BOLT, M08-1.25 X 70 PLATED	4	
V	15896590	GASKET, WATER PUMP	1	
W	15896582	PUMP ASM., WATER	2	
X	15896608	BOLT, M06-1.0 X 30 PLATED	2	