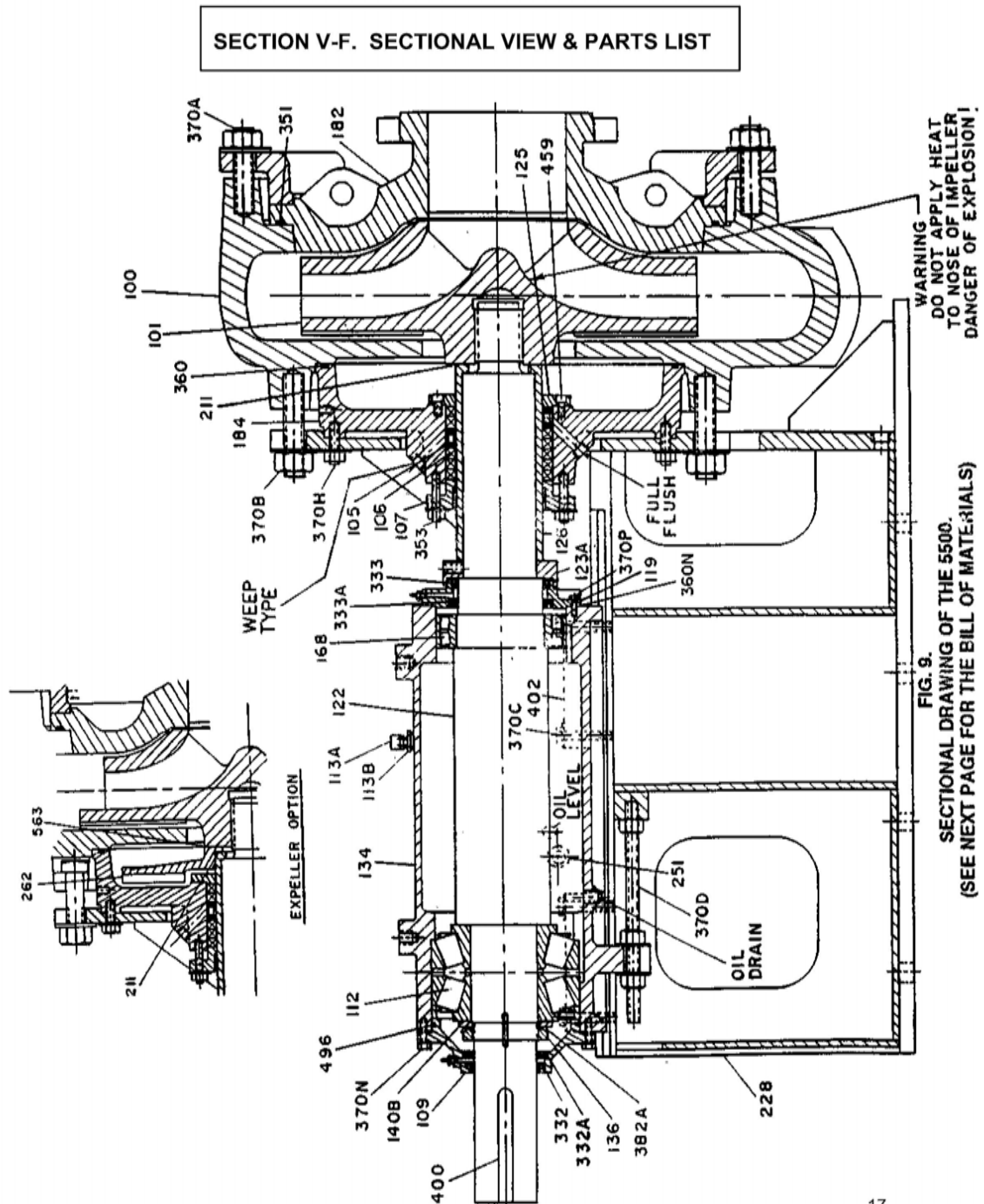


# 8 Parts Listings and Cross-Sectionals

## 8.1 Assembly drawings (exploded views)



**Table 13: Parts List**

Item	Qty	Description
100	1	Casing
101	1	Impeller
105	1	LANTERN RING
106	1	PACKING
107	1	GLAND
109	1	OUTBOARD END COVER
112	1	OUTBOARD BEARING
113A	1	BREATHER
113B	1	OIL FILL BUSHING
114	1	OIL THROWER (NOT SHOWN)
119	1	INBOARD END COVER
122	1	SHAFT
123A	1	KNOCK OFF DEFLECTOR
125	1	STUFFING BOX BUSHING
126	1	SHAFT SLEEVE
134	1	BEARING HOUSING
136	1	OUTBOARD BEARING LOCKNUT
136A	1	INBOARD BEARING LOCKING SCREW (B5 ONLY, NOT SHOWN)
140	1	INBOARD BEARING LOCKNUT (NOT SHOWN)
140B	1	KEYED WASHER
168	1	INBOARD BEARING
182	1	SUCTION COVER
184	1	STUFFING BOX COVER
211	1	GASKET (101/262-126)
228	1	FRAME
251	1	OIL LEVEL SIGHT
262	1	EXPELLER (OPTIONAL)
332	1	OUTBOARD SEAL, OUTSIDE
332A	1	OUTBOARD SEAL, INSIDE
333	1	INBOARD SEAL, OUTSIDE
333A	1	INBOARD SEAL, INSIDE
351	1	O-RING (CASING-SUCTION COVER)
353	2	GLAND STUD
360	1	O-RING (CASING-STUFFING BOX)
360N	1	GASKET (INBOARD END COVER)
370A	8	SQ. HD BOLT (CASING, SUCTION SIDE)
370B	8	SQ. HD BOLT (CASING - FRAME)
370C	8	BEARING HOUSING LOCKING SCREW
370D	1	IMPELLER ADJUSTING SCREW
370H	2	STUDS (STUFFING BOX-FRAME)
370N	6	HEX CAP SCREWS (OUTBOARD END COVER)
370P	6	HEX CAP SCREWS (INBOARD END COVER)
382A	1	OUTBOARD BEARING LOCKWASHER
400	1	DRIVE KEY

---

<b>Item</b>	<b>Qty</b>	<b>Description</b>
402	8	BEARING HOUSING CLAMP
452	1	SUCTION COVER CLAMP
459	4	HEX SOCKET CAP SCREW
496	1	O-RING (OUTBOARD END COVER)
563	1	GASKET (EXPELLER - IMPELLER)