

Ref. : V 4260.pas

Rev. : Initial

Date : 05/09/2016

Page : 1/1

# FLANGE TYPE GATE VALVE NON RISING STEM PN40

## V 4260



### APPLICATION

For common fluids, simple industrial installation...

### GENERAL CHARACTERISTICS

Ductile iron body, metal seated valve with non rising stem.  
 Two wedge rings and two body rings for sealing.  
 High reliability and durability.  
 Operating by handwheel

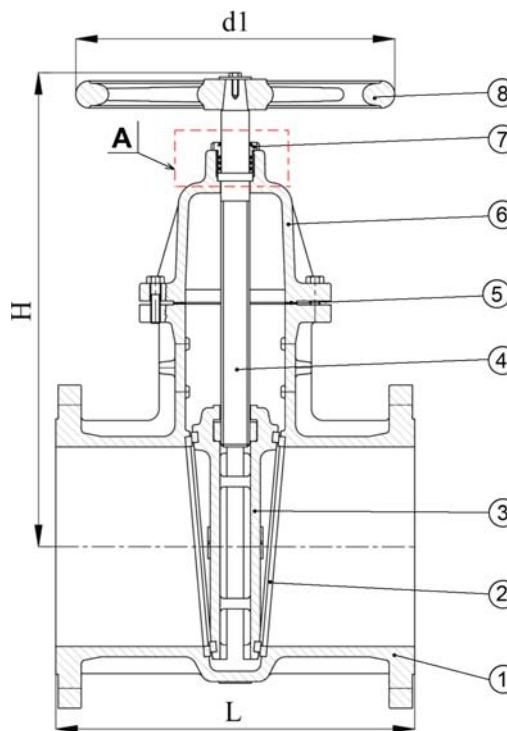
### CONSTRUCTION

8	Handwheel	Cast iron
7	Bonnet nut	Bronze
6	Bonnet	Ductile iron
5	Gasket	EPDM
4	Stem	Stainless Steel X20Cr13
3	Wedge	Ductile iron
2	Seat	Bronze
1	Body	Ductile iron
<b>Pos.</b>	<b>Description</b>	<b>Material</b>

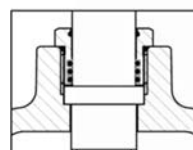


### DIMENSIONS

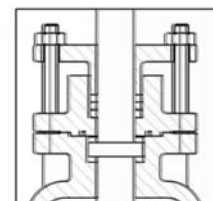
DN		L	Ø D	H	Ø V	Weight (kg)
mm	inch					
40	1" 1/2	240	200	235	200	15
50	2"	250	200	240	200	15
65	2" 1/2	270	250	265	250	21
80	3"	280	250	290	250	27
100	4"	300	250	330	250	31
125	5"	325	315	390	315	51
150	6"	350	315	430	315	62
200	8"	400	400	535	315	100
250	10"	450	410	590	400	155
300	12"	500	505	700	400	221
350	14"	550	565	865	500	324
400	16"	600	640	970	500	440
450	18"	650	770	1075	600	575
500	20"	700	800	1190	800	760
600	24"	800	895	1365	800	1180
700	28"	900	1050	1530	800	1600
800	32"	1000	1126	1690	800	2337



### VIEW A



DN40-300



DN350-800

### WORKING CONDITIONS

Maximum working pressure : 40 bar.  
 Maximum temperature : -10°C / 80°C.

Pressure test according to standards  
 EN 12266-1, DIN 3230, BS 6755 and ISO 5208 :  
 Body : 60 bar.  
 Seat : 44 bar.

### STANDARDS

Face to face according to standards EN 558-1  
 serie 15 and DIN 3202 F5 long pattern.  
 Flanges drilled according to standards EN 1092-2  
 and DIN 2501 : ISO PN 40.

**TECOFI France** - 83, Rue Marcel Mérieux 69960 Corbas - FRANCE  
 Tél. +33 (0) 4 72 79 05 79 - Fax +33 (0) 4 78 90 19 19 / +33 (0) 4 72 79 05 70  
 Adresses e-mail : sales@tecofi.fr ; tecofi@tecofi.fr / Site web : [www.tecofi.fr](http://www.tecofi.fr)