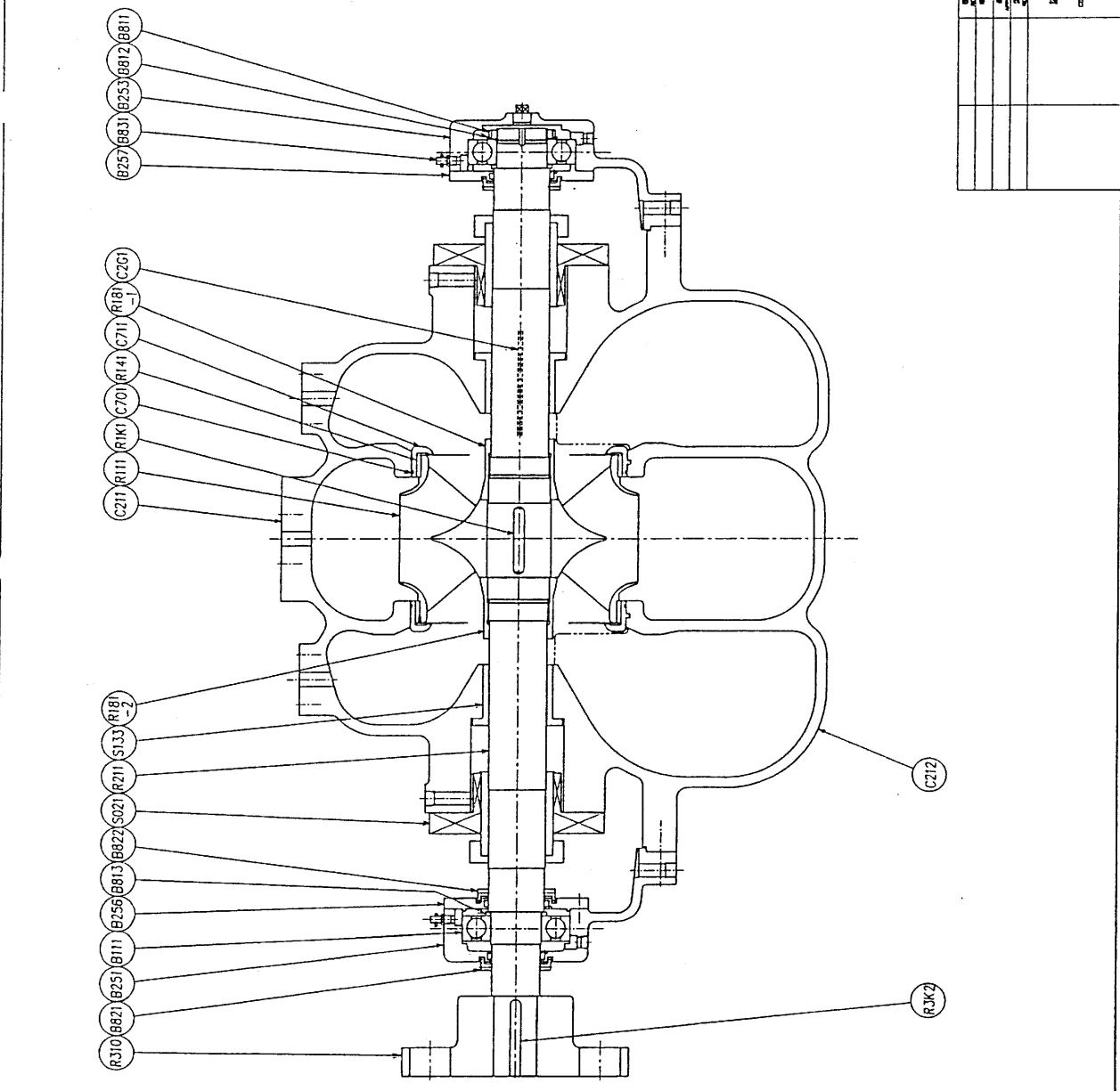


No.	PART NAME	MATERIAL (JIS)	MATERIAL (ASTM)	QUAN.	REMARKS
R111	IMPELLER	SCS14A	A743 CF-8M	1	
R1K1	IMPELLER KEY	SUS316L	A276 316L	1	
R141	IMPELLER WEARING RING	SUS316L	A182 F316L	2	
R181-1	IMPELLER NUT	SUS316L	A276 316L	1	RIGHT-HAND THREAD
R181-2	IMPELLER NUT	SUS316L	A276 316L	1	LEFT-HAND THREAD
R211	SHAFT	SUS316L	A182 F316L	1	
R3K2	COUPLING KEY	S45C	A576 1045	1	
R310	COUPLING	FC200	A48 No.25	1	*1
C211	UPPER CASING	SCS14A	A743 CF-8M	1	
C212	LOWER CASING	SCS14A	A743 CF-8M	1	
C2G1	CASING GASKET	VALQUA #5500AC	---	1	NON-ASBESTOS
C711	CASING WEARING RING	SUS316L	A182 F316L	2	
C701	O-RING	NBR	---	2	φ3x10D00L
B111	BALL BEARING	---	---	2	No.6314
B251	BEARING HOUSING	FC200	A48 No.25	1	
B253	BEARING HOUSING	FC200	A48 No.25	1	
B256	BEARING COVER	SS400	A36	1	
B257	BEARING COVER	SS400	A36	1	
B811	BEARING LOCK NUT	S40C	A576 1040	1	ANTI-ROT-JUD BREQD
B812	BEARING LOCK WASHER	SS400	A36	1	AWT4
B813	BEARING COLLAR	SS400	A36	2	
B821	DEFLECTOR	SUS304	A276 304	1	
B822	DEFLECTOR	SUS304	A276 304	2	
B831	GREASE NIPPLE	---	---	2	PIN TYPE
S021	MECHANICAL SEAL	---	---	2	sets *2
S133	THROAT BUSHING	SUS316L	A276 316L	2	

*1: REFER TO COUPLING DRAWING.
*2: REFER TO MECHANICAL SEAL DRAWING.



PROJECT: WAYANG WINDU GEOTHERMAL POWER PROJECT
FUJI WORK No.E6901B42

製注文主 OUTSIDE	供送先 JURU	FUJI ELECTRIC CO.,LTD.
製注文主 JURU	供送先 PROJECTION	MANDALA NUSANTARA LTD.,INDONESIA
図面名称 TITLE	図面名称 TITLE	CROSS SECTIONAL DRAWING
型 SIZE	型 SIZE	400X350 NDF-SB-M
製図者 DRAWN BY	製図者 DRAWN BY	1107737
検査者 CHECKED BY	検査者 CHECKED BY	
承認者 APPROVED BY	承認者 APPROVED BY	
製図部 DRAWING DEPT.	製図部 DRAWING DEPT.	PT123-CR072