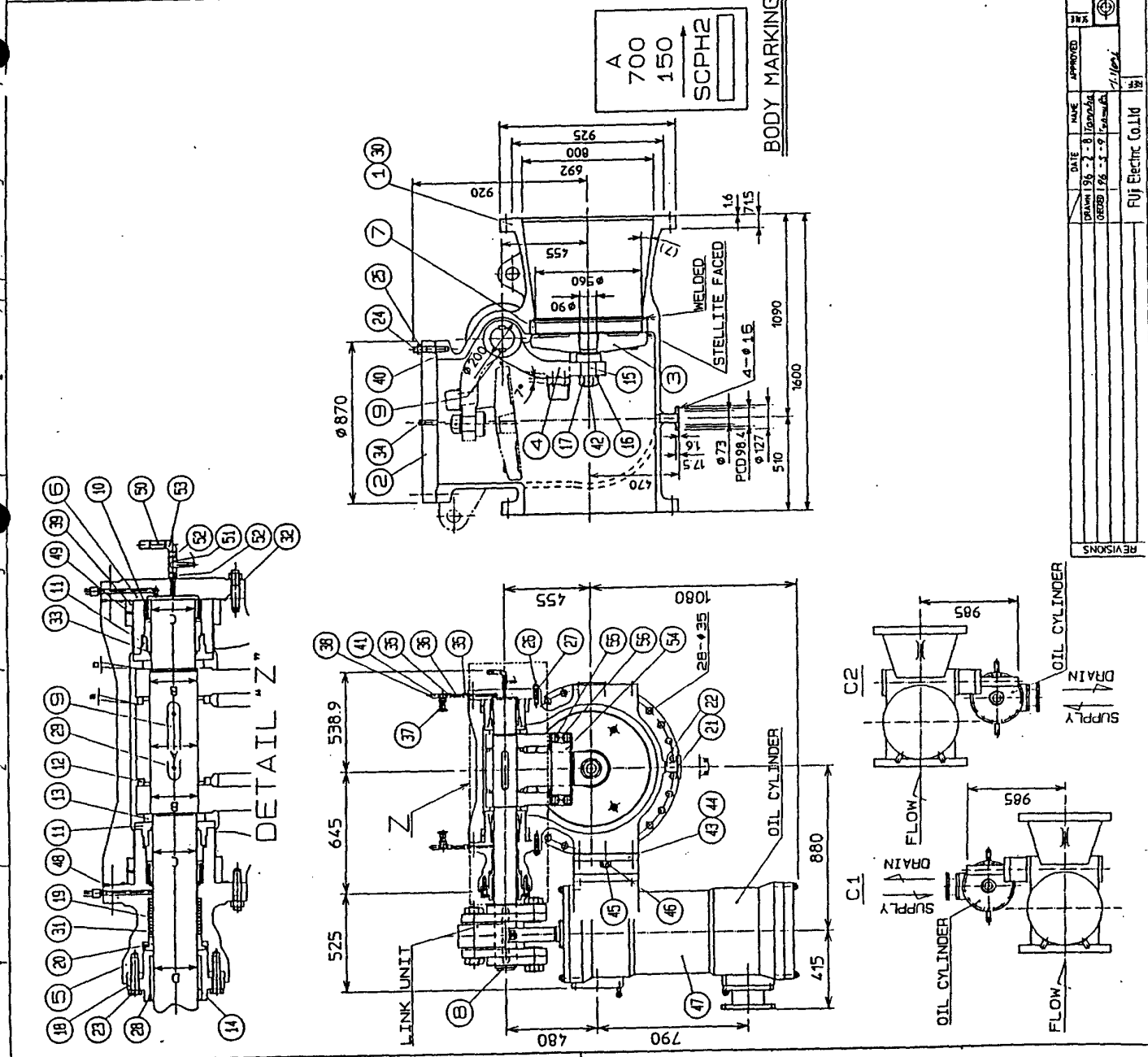


6 7 8

QTY	DESCRIPTION	PART NO.	MATERIAL	CONVERSION	CLASS
0	1 BODY	1	SCPH2		1850
1	1 COVER	2	SS400P		355
1	1 MAIN DISC	3	SCPH2		250
1	1 PILOT ARM	4	SCPH2		90
1	1 COVER	5	SCPH2		110
1	1 ROD COVER	6	SCPH2		50
1	1 SEAT RING	7	S25C		34
1	1 ROD	8	SUS630HH1025		120
2	2 KEY	9	SUS630HH1025		0.9
2	2 PACKING BUSH	10	SILICOLLOYB2		6.9
2	2 WASHER	11	SILICOLLOYB2		6.0
2	2 PACKING BUSH	12	SILICOLLOYB2		1.7
2	2 WASHER	13	SUS304		1.7
1	1 GUIDE BUSH	14	SUS304		3.6
1	1 PILOT DISC	15	SUS304		8
1	1 DISC WASHER	16	SUS304		0.5
1	1 DISC NUT	17	SUS304		1.4
1	1 HOLDER	18	SUS420J2		13.5
1	1 LANTERN RING	19	SUS420J2		0.7
1	1 GLAND	20	SUS420J2		1.7
1	1 DRAIN FLANGE	21	S25C		1.3
1	1 DRAIN PIPE	22	STPG3705		0.39
4	4 BOLT	23	SCHM35		
24	24 STUD BOLT	24	SNB7		
24	24 NUT	25	S45C		
32	32 NUT	26	SNB7		
1	1 SET SCREW	27	S45C		
4	4 SET SCREW	28	SUS304		
1	10 BODY	29	SCHM35		1850
1	1 V-PACKING	30	SCPH2		
2	2 O-RING	31	TEFLON		
2	2 O-RING	32	TEFLON		
1	1 PLUG PT3/4	33	TEFLON		
4	4 PLUG	34	S25C		
2	2 PIPE	35	SUS304		0.15
2	2 STOP VALVE	36	STKM13A		0.1
2	2 GREASE NIPPLE PT1/4	37	SUS304		0.32
2	2 COLLAR	38	SUS304		
1	1 GASKET	39	SUS304		7.5
2	2 CONNECTION PIECE	40	(TONBO) #1993		
1	1 PIN	41	SUS304		0.2
1	1 CYLINDER BASE	42	SUS304		
4	4 PIN	43	SCPH2		63
12	12 STUD BOLT	44	SUS304		
12	12 NUT	45	SNB7		
1	1 CYLINDER UNIT	46	S45C		
2	2 SET SCREW	47	SUS304		
1	1 RELIEF VALVE	48	SUS304		
2	2 NIPPLE PT1/4	49	SUS304		
1	1 ELBOW PT1/4	50	SUS316		0.1
1	1 LIFTING PLATE	51	SUS304		
4	4 BOLT	52	SUS304		
2	2 PIN	53	SUS304		
2	2 PIN	54	SCPH2		24
2	2 PIN	55	SCHM35		
2	2 PIN	56	SUS304		



CLASS150-28
MAIN STOP VALVE

REV. 1/10

DATE: 196-2-20

DESIGNER: 196-3-9

APPROVED: 1/10

REVISIONS

Fuji Electric Co. Ltd.

INV-ST2121-562-E 1/1

ST355161