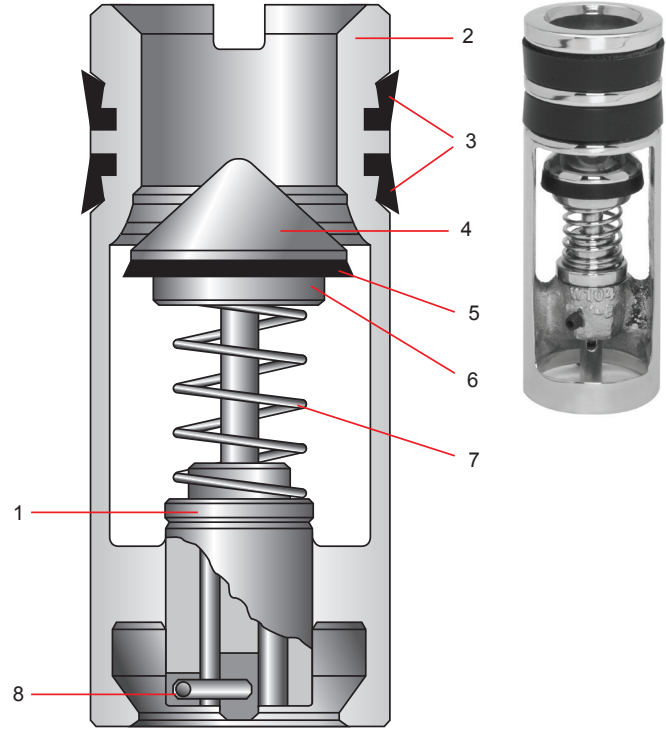


Model F Plunger Type Valve
Product Family No. 48013 and 48043



Model FC Automatic Fill Valve
Product Family No. 48018

Model F // Plunger Type Valve

Product Family Nos. 48013 and 48043 (Heavy Duty)

The Model F Plunger Type Valve provides positive and instantaneous shut off against high and low pressure, assuring continuous control of fluid flow during drilling. For normal drilling operations, the durable Model F is the most economical choice and is available in all sizes.

The "Heavy Duty" Model F Drill Pipe Float Valve is designed with a low alloy steel body that increases the life of the Drill Pipe Float Valve. It provides high impact resistance and is dimensionally identical to the standard Forum Drill Pipe Float Valve, allowing interchangeability of the trim. This type of Drill Pipe Float Valve is recommended for use with downhole mud motors.

Note: Not recommended for Air Drilling.

DIAGRAM KEY FOR MODEL F PLUNGER TYPE VALVE

- | | |
|--------------------|-----------|
| 1. Valve Seal Disc | 5. Guide |
| 2. Plunger/Valve | 6. Spring |
| 3. Side Seal | 7. Cage |
| 4. Valve Seal | |

Model FC // Automatic Fill Valve

Product Family No. 48018

The Model FC Automatic Fill Valve is ideal to use when drilling deep wells. The automatic fill feature on the Model FC allows the drill pipe to fill from the bottom, thereby removing the mess, hazards, and lost time from filling. When running in the hole, the automatic fill feature eliminates the "ram effect" preventing the downhole pressure surges that can cause formation damage.

The Model FC is slotted on the stem to accept a steel "automatic fill" key assembly that is automatically released by fluid circulation releasing the plunger for complete closure.

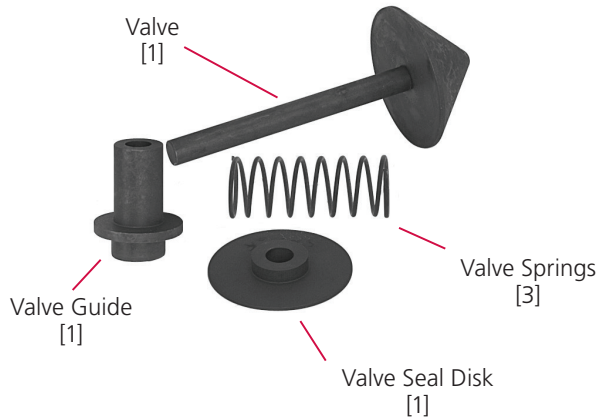
Note: Not recommended for Air Drilling.

DIAGRAM KEY FOR MODEL FC PLUNGER TYPE VALVE

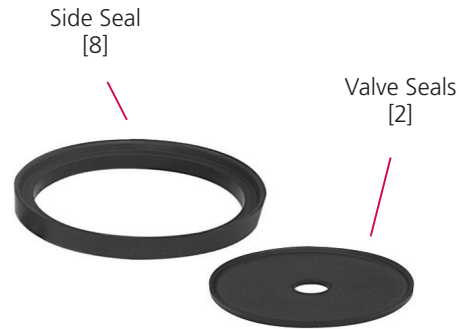
- | | |
|------------------|--------------------|
| 1. Guide | 5. Valve Seal |
| 2. Cage | 6. Valve Seal Disc |
| 3. Side Seal | 7. Spring |
| 4. Plunger/Valve | 8. Key |

Repair Kits for all Styles of Model F Drill Pipe Float Valves

METAL KIT FOR MODEL F DRILL PIPE FLOAT VALVES

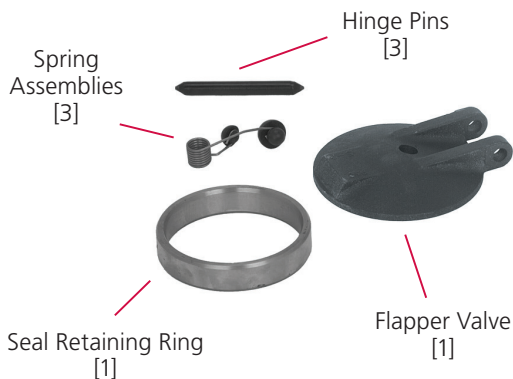


RUBBER KIT FOR MODEL F DRILL PIPE FLOAT VALVES

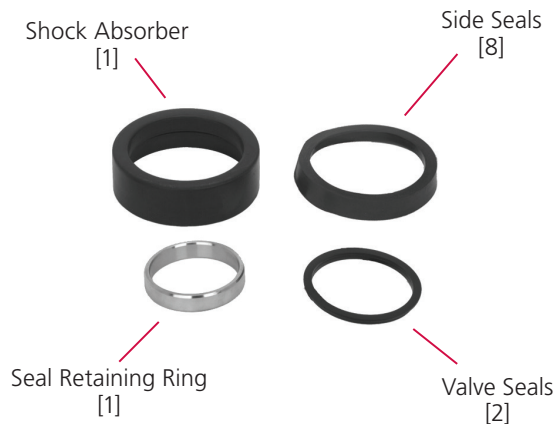


Repair Kits for all Styles of Model G Drill Pipe Float Valves

METAL KIT FOR MODEL G DRILL PIPE FLOAT VALVES



RUBBER KIT FOR MODEL G DRILL PIPE FLOAT VALVES



Valve Pullers for all Styles of Model F Drill Pipe Float Valves

Product Family No. 48091

The Valve Puller consists of a finger sub that is stabbed into the bottom end of the Drill Pipe Float Valve Cage and engages the web by right-handed rotation.



Valve Puller for F Models
Product Family No. 48091

Caution:

When pulling a Model FC, the release key on the Drill Pipe Float Valve must be positioned such that the finger sub does not contact the key prior to engaging the web of the cage. This will prevent damage to the key during valve removal.

Ordering Information // Standard Application

BUNA SEALS // MODEL F PLUNGER TYPE VALVE				
Float Valve Size	Assembly	Rubber Repair Kit	Metal Repair Kit	Puller Assembly
1R	480131200	016012200	015929800	480911200
1F - 2R	480131422	016012300	016011300	480911200
2F - 3R	480132432	016012400	016011400	480912432
3F	480133400	016012500	016011500	480913400
3 - 1/2 IF	480133600	016012600	016011500	480913400
4R	480134200	016012700	016011700	480914200
4F	480134400	016012800	016011800	480914400
5R	480135200	016012900	016011900	480915200
5F - 6R	480135462	016013000	016012000	480915462
6F	480136400	016013100	016012100	480916400

BUNA SEALS // MODEL FA PLUNGER TYPE VALVE				
Float Valve Size	Assembly	Rubber Repair Kit	Metal Repair Kit	Puller Assembly
1R	480121200	016012205	015929805	480911200
1F - 2R	480121422	016012305	016011305	480911200
2F - 3R	480122432	016012405	016011405	480912432
3F	480123400	016012505	016011505	480913400
3 - 1/2 IF	480123600	016012605	016011505	480913400
4R	480124200	016012705	016011705	480914200
4F	480124400	016012805	016011805	480914400
5R	480125200	016012905	016011905	480915200
5F - 6R	480125462	016013005	016012005	480915462
6F	480126400	016013105	016012105	480916400

BUNA SEALS // MODEL FC PLUNGER TYPE VALVE				
Float Valve Size	Assembly	Rubber Repair Kit	Metal Repair Kit	Puller Assembly
2F - 3R	480182432	016012400	070017100	480912432
3F	480183400	016012500	070017300	480913400
3 - 1/2 IF	480183600	016012600	070017300	480913400
4R	480184200	016012700	070017400	480914200
4F	480184400	016012800	070017500	480914400
5R	480185200	016012900	070017600	480915200
5F - 6R	480185462	016013000	070017700	480915462
6F	480186400	016013100	070017800	480916400

BUNA SEALS // MODEL G FLAPPER TYPE VALVE				
Float Valve Size	Assembly	Rubber Repair Kit	Metal Repair Kit	Puller Assembly
1F - 2R	480151422	051988300	051988400	480901422
2F - 3R	480152432	016013800	016013200	480902432
3F	480153400	016013900	016013300	480903400
3 - 1/2 IF	480153600	051982000	052070200	480903400
4R	480154200	016014000	016013400	480904200
4F	480154400	016014100	016013500	480904400
5R	480155200	016014200	016013600	480905200
5F - 6R	480155462	016014300	016013700	480905462

BUNA SEALS // MODEL GA FLAPPER TYPE VALVE				
Float Valve Size	Assembly	Rubber Repair Kit	Metal Repair Kit	Puller Assembly
1F - 2R	480161422	051988300	052070800	480901422
2F - 3R	480162432	016013800	017135000	480902432
3F	480163400	016013900	017136700	480903400
3 - 1/2 IF	480163600	051982000	052075500	480903400
4R	480164200	016014000	017116000	480904200
4F	480164400	016014100	017136800	480904400
5R	480165200	016014200	017136900	480905200
5F - 6R	480165462	016014300	017134200	480905462